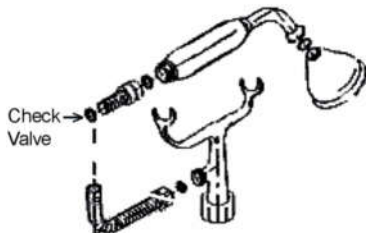
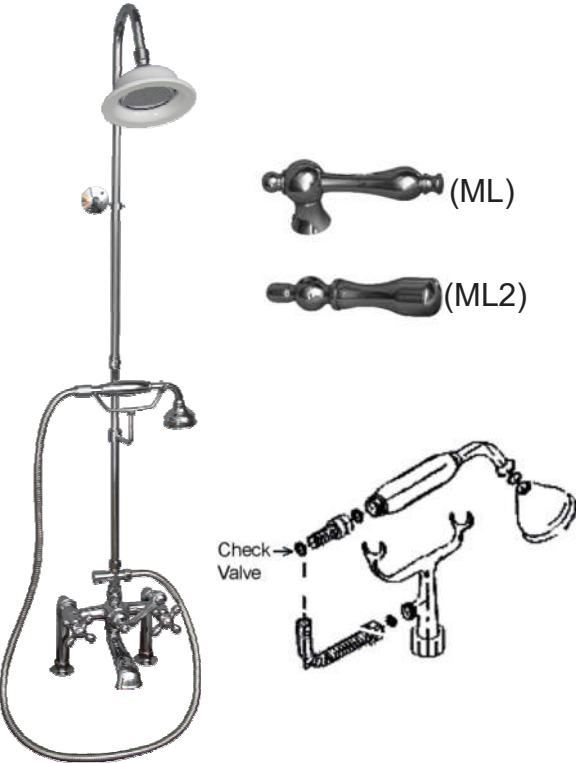


TUB FILLER WITH DIVERTER, HANDSHOWER AND SHOWERHEAD

Cat. No.
4064



Features:

- ▶ Elephant spout length is 5-3/4"
- ▶ Flow rate is 3.7 GPM
- ▶ Available with metal cross handles (**4064-MC**) or metal lever handles in 2 different styles (**4064-ML**, **4064-ML2**)
- ▶ Metal cross handles feature "H" and "C" for hot and cold
- ▶ Metal telephone handshower with cradle and 59" hose
- ▶ Handshower flow rate is 2.5 GPM
- ▶ Metal handshower includes backflow preventer
- ▶ Sunflower showerhead has flow rate of 2.44 GPM
- ▶ 6" Elbow mounts included
- ▶ 7" Centers for deck mounting on acrylic or cast iron tubs
- ▶ 1/4 Turn ceramic disc cartridges
- ▶ Includes wall support **4195WS**
- ▶ To be used with straight bath supplies, **Part #5577**

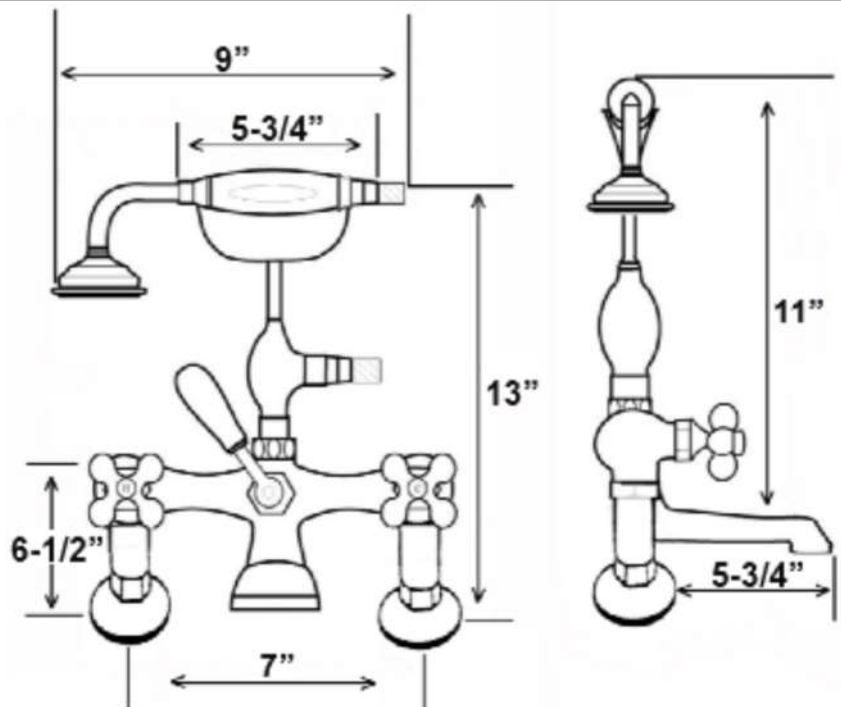
Finishes:

PB Polished Brass	PN Polished Nickel
CP Polished Chrome	BN Brushed Nickel
ORB Oil Rubbed Bronze	MB Matte Black

Riser Height: 62"



6" Elbow Mounts



Dimensions are nominal and may vary. Dimensions and specifications subject to change without notice.