

**36" AUBREY DOUBLE  
BOWL FARMER SINK**

Cat. No  
FSGDB4502



W: 36"  
D: 20"  
H: 10"

**Features:**

- ▶ Crafted from natural, hand-carved granite
- ▶ Easy to clean
- ▶ Each individual stone sink is unique and varies
- ▶ Standard 3-1/2" drain opening fits most drains and disposals
- ▶ We recommend sealing with StoneTech sealer before use
- ▶ Optional **UMSPT** supports sold separately
- ▶ Sink bowls can be reversed
- ▶ No faucet holes
- ▶ 60/40 offset
- ▶ Available in 2 finishes
- ▶ Flange extension required

**Finishes:**

**GPBL** Polished Black Granite

**\*Please do NOT cut hole without template or actual product.**

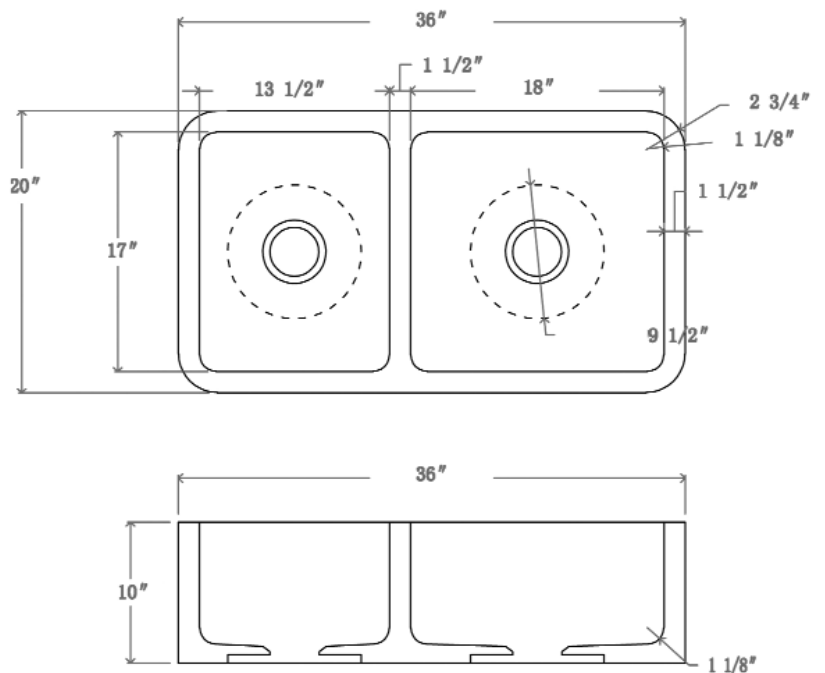
**Interior Dimensions:**

**Large**

Basin Interior: 18" W x 17" D  
Basin Depth: 7-3/4"

**Small**

Basin Interior: 13-1/2" W x 17" D  
Basin Depth: 7-3/4"



Dimensions of fixture are nominal and may vary slightly. Dimensions and specifications subject to change without notice.