



California Faucets®

Palomar®

TRADITIONAL SINGLE HOLE FLOOR MOUNT TUB FILLER WITH HANDSHOWER

Features

- Available in 28 finishes including 13 PVD finishes
- All brass construction
- No additional wall or trap stabilizer kit required
- Tub filler: Maximum flow rate: 10 gpm (37 L/min) at 60 psi
- Handshower: Flow rate: 2.0 gpm (7.6 L/min) or 1.8 gpm (6.8 L/min)
- Ceramic mixing cartridge
- Handshower holder may be adjusted forward during installation
- Rough valve sold separately (9511)

Codes/Standards Applicable

Product meets or exceeds the following:

- ASME A112.18.1/CSA B125.1
- CEC (1.8 gpm) / DOE (2.0 & 1.8 gpm)
- Commonwealth of MA
- EPA WaterSense handshower (2.0 gpm)
- ADA compliant (with lever handles)
- Local codes may require installation of an upstream tempering valve



1311-XX.20
1311-XX.18

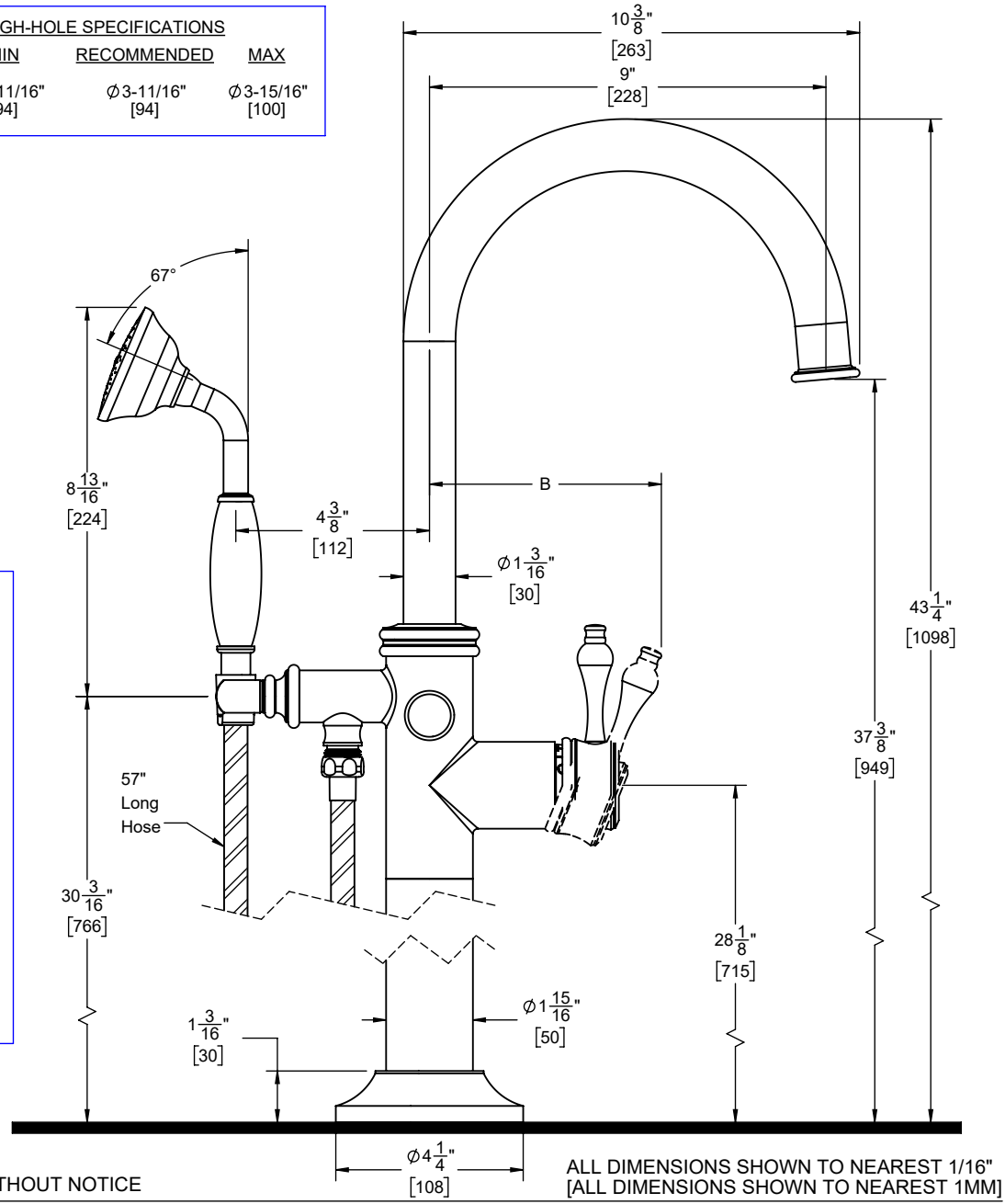
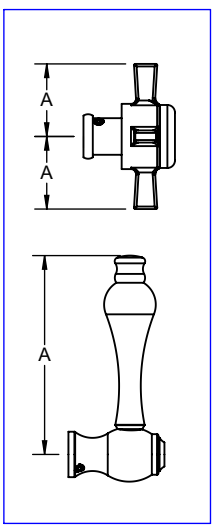


XX = DENOTES HANDLE SERIES

1311-36.FR shown

DIMENSIONS, in.[mm]		
HANDLE OPTIONS	A	B
33	15 3/16 [100]	7 5/16 [138]
35	15 3/16 [100]	7 5/16 [138]
36	5 3/8 [92]	3 5/8 [136]
48	11 1/16 [94]	3 5/8 [136]
55	13 3/16 [98]	5 5/16 [135]
64	15 3/16 [101]	5 5/16 [136]
68	13 3/16 [97]	5 5/16 [135]
CLEV	4" [101]	7 5/16 [138]
H34	1 1/8 [29mm]	11 5/16 [144mm]
H38	2 1/16 [74]	13 6/16 [173]
H42	3 1/8 [79]	7 6/16 [164]
H46	3 7/16 [87]	3 6/4 [172]
H47	3 1/8 [35]	5 9/16 [142]
H48X	1 1/2 [38]	5 1/2 [140]
H59	2 15/16 [74]	13 6/16 [173]
H60	3 1/8 [35]	5 9/16 [142]
H63	5 5/16 [160]	15 5/16 [152]
H67	3 1/8 [35]	5 5/16 [144]
H69	1 3/2 [89]	5 5/16 [160]

THROUGH-HOLE SPECIFICATIONS			
	MIN	RECOMMENDED	MAX
MOUNTING FLANGE:	Ø3-11/16" [94]	Ø3-11/16" [94]	Ø3-15/16" [100]



SPECIFICATIONS SUBJECT TO CHANGE WITHOUT NOTICE

ALL DIMENSIONS SHOWN TO NEAREST 1/16"
[ALL DIMENSIONS SHOWN TO NEAREST 1MM]