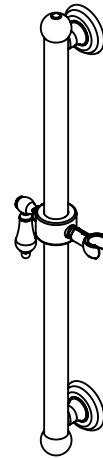




Features

- 25+ artisan finishes including 12 PVD finishes
- All brass construction
- Adjustable position slide with positive-lock swivel holder
- Accepts most conical handshower hoses
- Right or left handed based on installation
- 1-1/4" diameter bar
- Concealed mounting
- Mounting hardware included

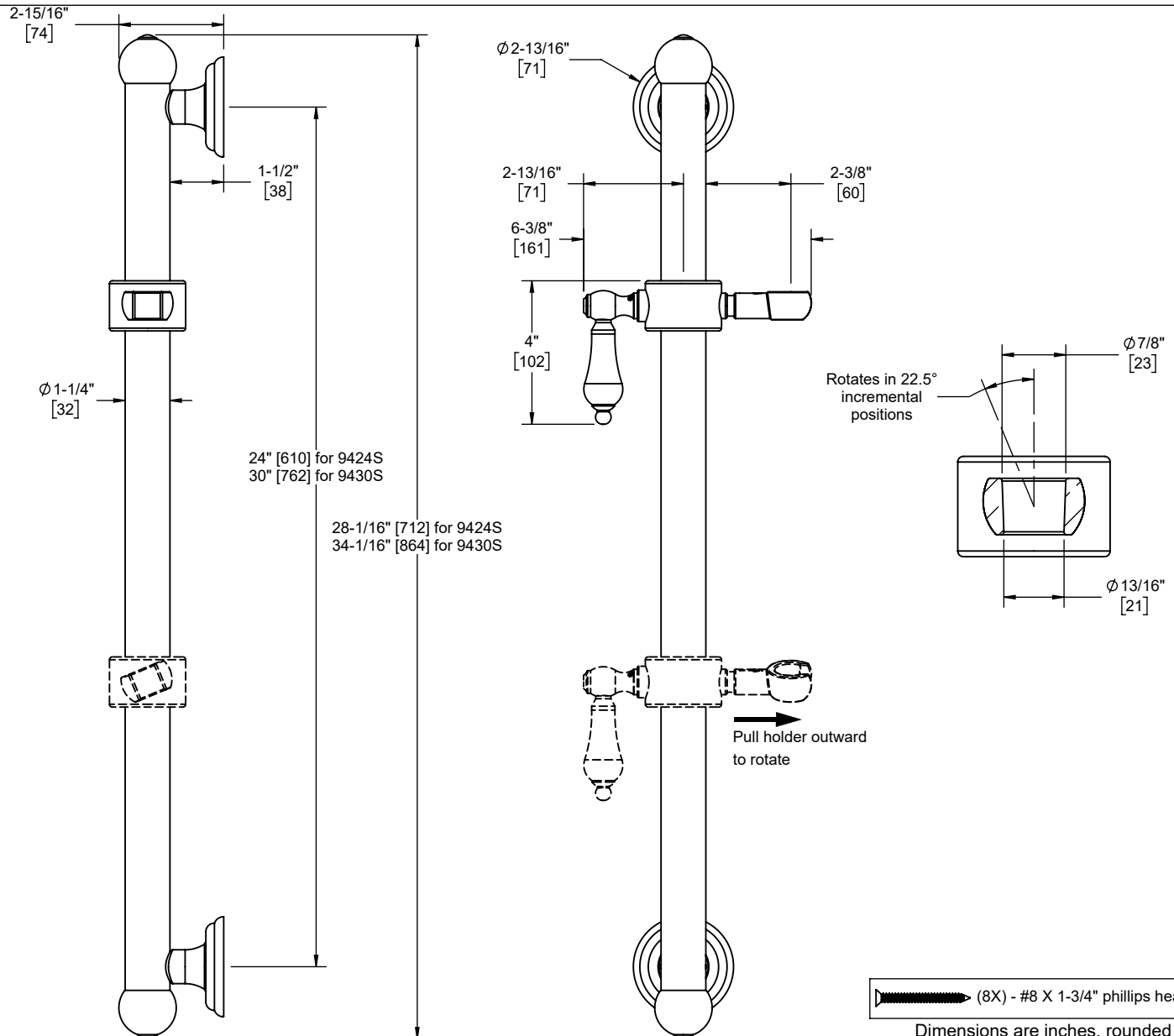
9424S-55
9430S-55



Codes/Standards Applicable

Product meets or exceeds the following:

- ASME A112.18.1/CSA B125.1
- ADA compliant grab bar



(8X) - #8 X 1-3/4" phillips head screw

Dimensions are inches, rounded to 1/16"
[Dimensions in brackets are mm, rounded to 1mm]