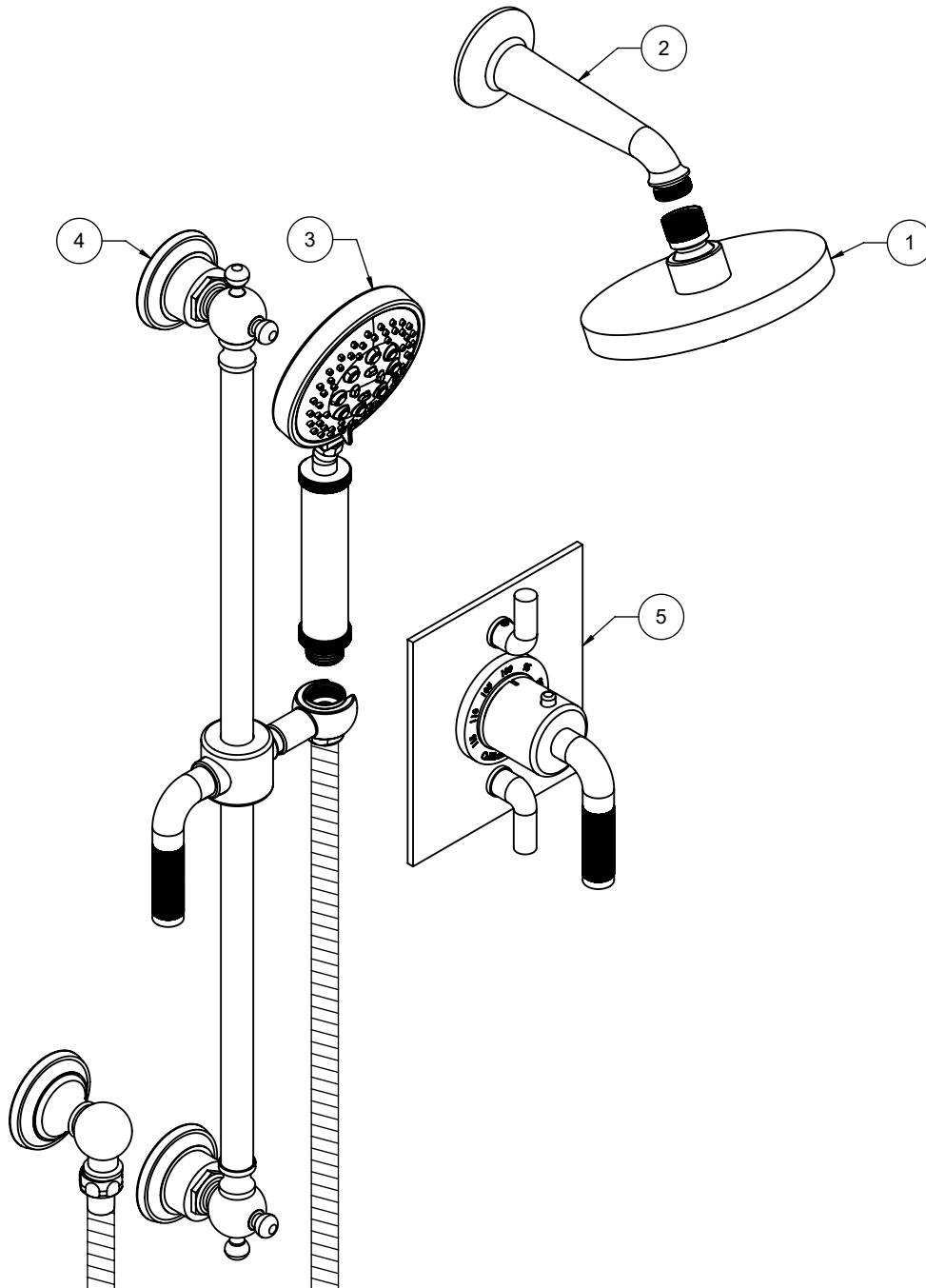




"ZZ" denotes finish, "FR" denotes flow rate

Item	Model	Description	Links
1	SH-083.FR-ZZ	5-5/8" Multi-Function Showerhead	<a href="#">Specification Sheet</a>
2	SH-01.6-ZZ	One Piece 6" Shower Arm & Flange	<a href="#">Specification Sheet</a>
3	HS-083-30K.FR-ZZ	4-1/16" Brass Multi-Function Handshower	<a href="#">Specification Sheet</a>
4	9129-30K-ZZ	Slide Bar Handshower Kit	<a href="#">Specification Sheet</a>
5	TO-THF2L-30K-ZZ	StyleTherm® Trim Only with Dual Volume Control	<a href="#">Specification Sheet</a>





California Faucets®

# SHOWERHEAD

5-5/8" MULTI-FUNCTION CONTEMPORARY

## Features

- 1/2" FIP inlet
- 3 function: rain, air & massage
- Self-cleaning rubber jets
- Solid brass pivot ball & body
- 5-5/8" diameter, gray face
- Available in 28 finishes including 13 PVD finishes
- Replace .FR with desired max flow rate:  
SH-083.25 for 2.5 gpm  
SH-083.20 for 2.0 gpm  
SH-083.18 for 1.8 gpm

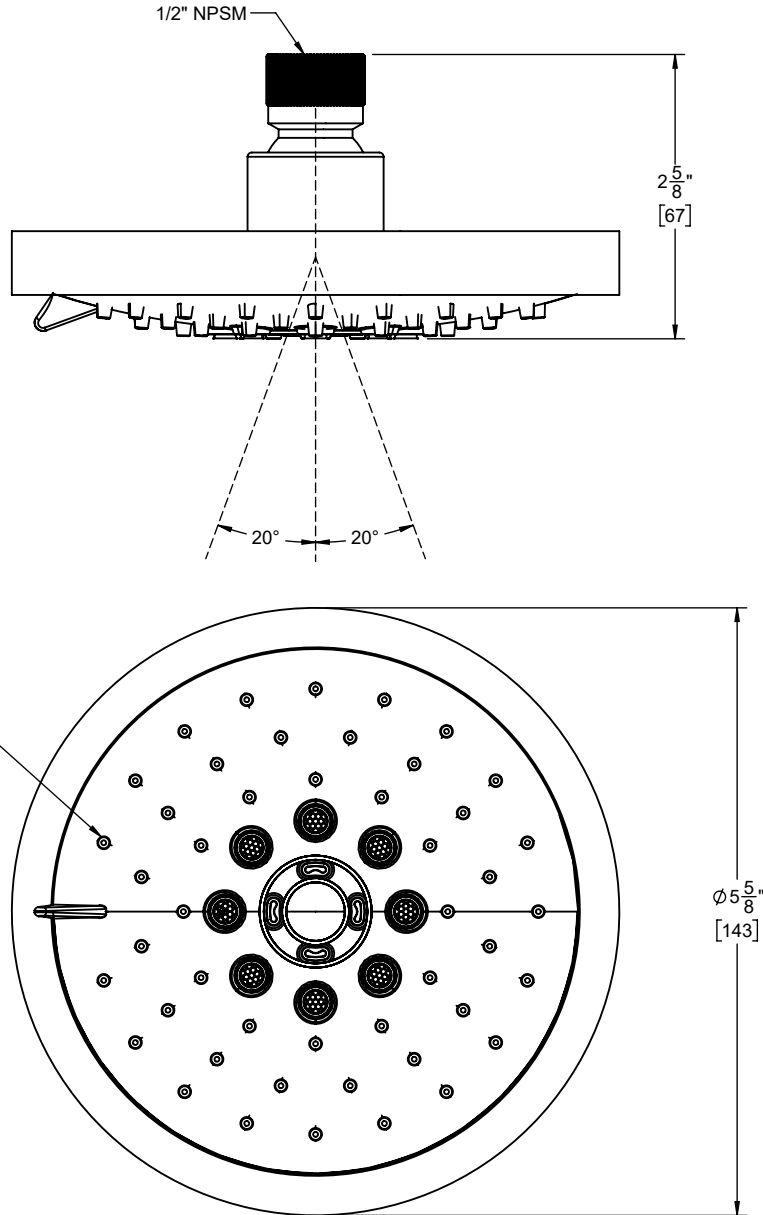
SH-083.25  
SH-083.20  
SH-083.18



## Codes/Standards

Product meets or exceeds the following:

- ASME A112.18.1/CSA B125.1
- CEC (1.8 gpm)
- DOE (2.5, 2.0, & 1.8 gpm)
- Commonwealth of MA
- EPA WaterSense Showerhead (2.0 gpm)





California Faucets®

# Shower Arm

One Piece 6" Shower Arm & Flange

## Features

- Available in 28 finishes including 13 PVD finishes
- All brass construction

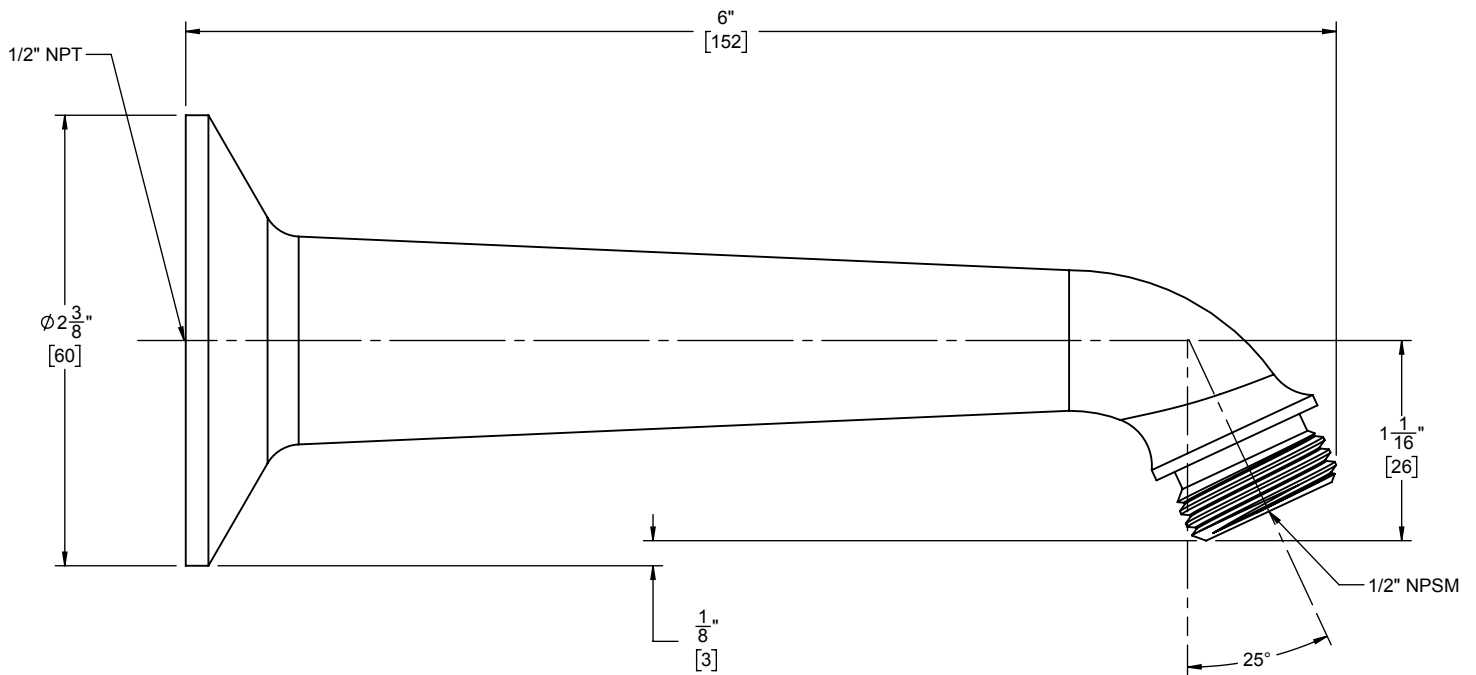
SH-01.6



## Codes/Standards

Product meets or exceeds the following:

- ASME A112.18.1/CSA B125.1





California Faucets®

# Handshower

4-1/16" MULTI-FUNCTION DESCANSO® HANDSHOWER

## Features

- 1/2" MIP inlet
- 3 function handshower: rain, air, & massage
- Self cleaning rubber jets
- Brass body
- 4-1/16" diameter, gray face
- Replace .FR with desired max flow rate:  
     HS-083-30K.25 for 2.5 gpm  
     HS-083-30K.20 for 2.0 gpm  
     HS-083-30K.18 for 1.8 gpm
- Over 28 finishes including 13 PVD finishes

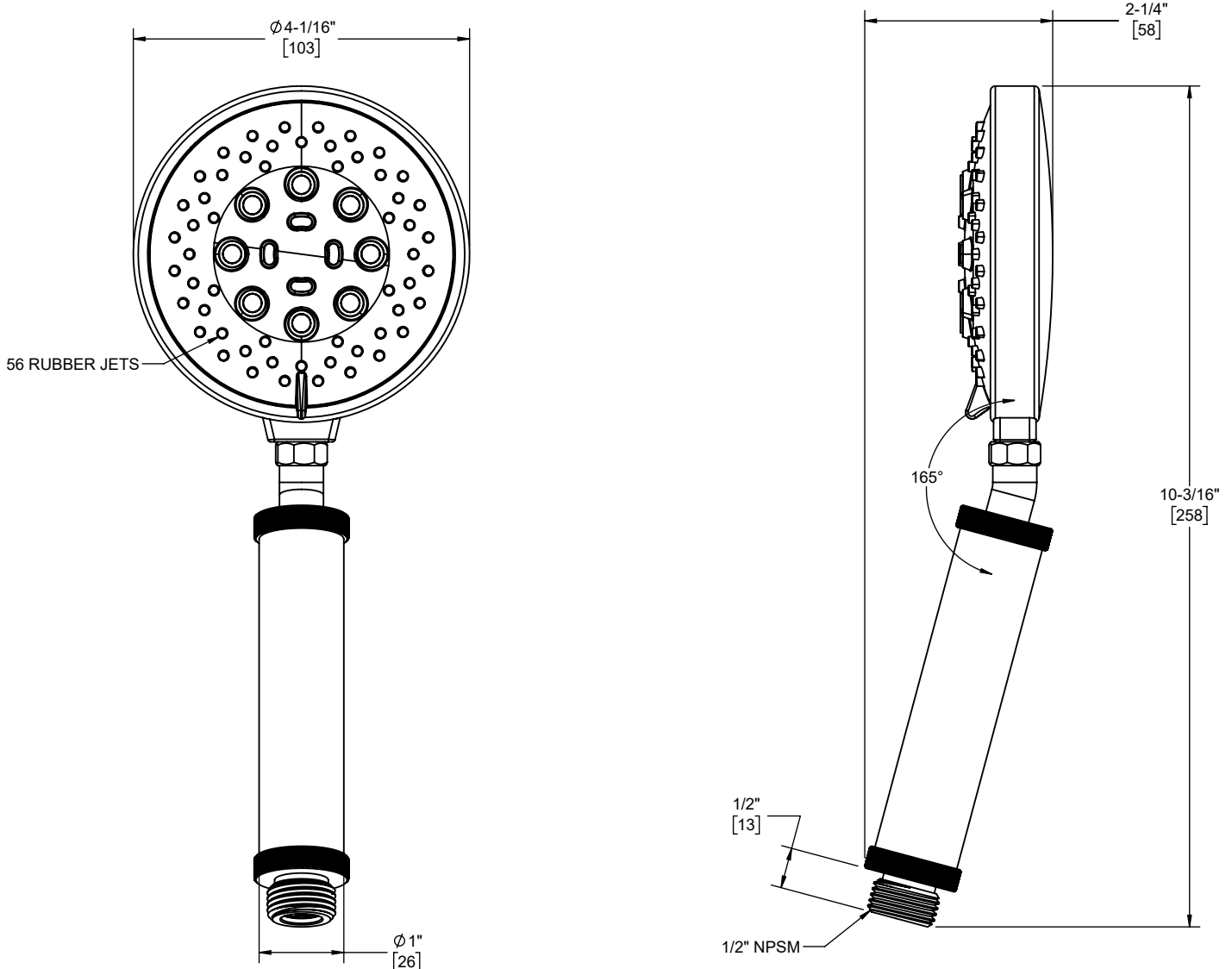
## Codes/Standards Applicable

Product meets or exceeds the following:

- ASME A112.18.1/CSA B125.1
- CEC (1.8 gpm)
- DOE (1.8, 2.0, & 2.5 gpm)
- Commonwealth of MA
- EPA WaterSense (2.0 gpm)

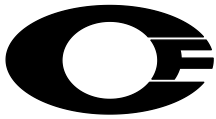


HS-083-30K.18  
HS-083-30K.20  
HS-083-30K.25



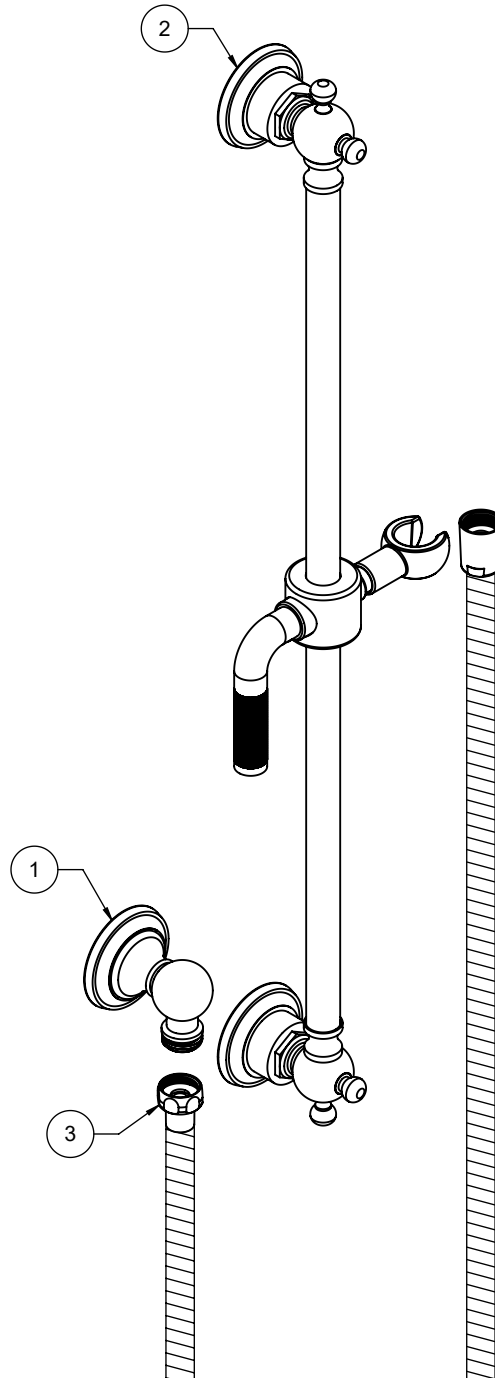
SPECIFICATIONS SUBJECT TO CHANGE WITHOUT NOTICE

ALL DIMENSIONS SHOWN TO NEAREST 1/16"  
[ALL DIMENSIONS SHOWN TO NEAREST 1MM]



"ZZ" denotes finish

Item	Model	Description	Links
1	SH-10-48-ZZ	Decorative Supply Elbow	<a href="#">Specification Sheet</a>
2	SB-30K-ZZ	Wall Mounted Slide Bar	<a href="#">Specification Sheet</a>
3	HS-68-ZZ	68" Brass Hose for Handshower	<a href="#">Specification Sheet</a>





California Faucets®

**Descanso™**

**STYLETHERM TRIM ONLY W/ DUAL VOLUME CONTROL**

**Features**

- All brass construction
- 100°F safety stop button with manual override
- Dual integral volume control
- 6" by 5-1/4" rectangular faceplate; flat profile
- Less head, arm, flange and spout
- Engraved brass temperature ring
- Over 30 finishes including 15 PVD finishes

**Codes/Standards Applicable**

Product meets or exceeds the following:

- ASME A112.18.1/CSA B125.1
- ASSE 1016
- ADA compliant



**TO-THF2L-30K  
TO-THF2L-30F**

(TO-THF2L-30K SHOWN)

