



California Faucets®

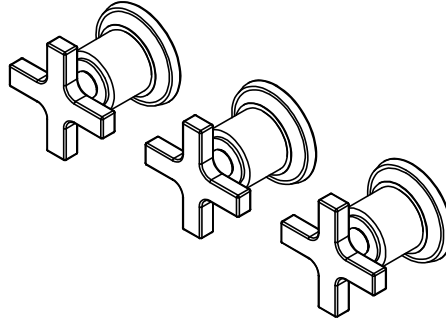
Rincon Bay™

3 HANDLE TUB AND SHOWER TRIM

TO-4503XL

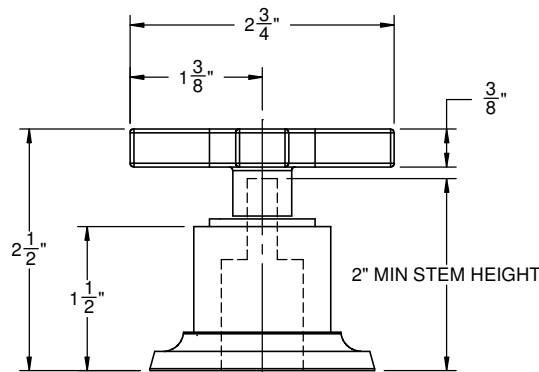
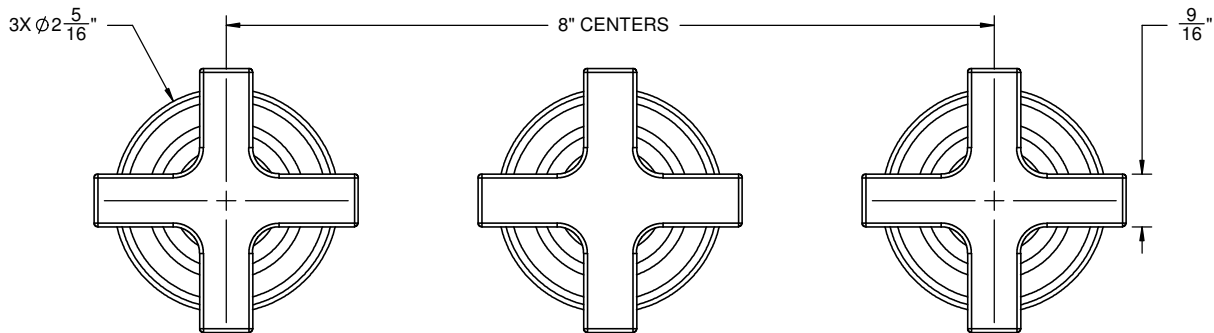
Features

- Solid brass construction
- Less head, arm, flange, and spout
- Requires rough-in (3-VR) sold separately
- Over 30 finishes including 15 PVD finishes



Codes/Standards

- Product meets or exceeds the following:
- ASME A112.18.1/CSA B125.1



THRU HOLE SPECIFICATIONS			
	MIN	RECOMMENDED	MAX
VALVE:	$\varnothing 1 - 1/8$ "	$\varnothing 1 - 3/8$ "	$\varnothing 1 - 5/8$ "
DIVERTER:	$\varnothing 1 - 1/2$ "	$\varnothing 1 - 1/2$ "	$\varnothing 1 - 5/8$ "

SPECIFICATIONS SUBJECT TO CHANGE WITHOUT NOTICE

ALL DIMENSIONS SHOWN TO NEAREST 1/16"