



California Faucets®

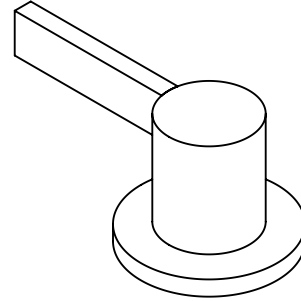
Bel Canto™

WALL OR DECK HANDLE TRIM ONLY

TO-E3-W

Features

- Base diameter 2"
- Use for wall stop, wall diverter or deck diverter
- All brass construction
- Rough valve sold separately (50-W-R, 75-W-R, WDV-R, DDV-R)
- Over 30 finishes including 13 PVD finishes



Codes/Standards Applicable

- Product meets or exceeds the following:
- ASME A112.18.1/CSA B125.1

