

### PRODUCT SPECIFICATIONS

Elkay Water Dispenser 4 GPH Hot Filtered Stainless Steel. Features shall include Cold Water, Energy Savings, Filtered, Hot Water, Sparkling Water, UV Light. Product shall be Countertop mounted/Freestanding.

<b>Special Features:</b>	Cold Water, Energy Savings, Filtered, Hot Water, Sparkling Water, UV Light
<b>Model Type:</b>	Countertop
<b>Material:</b>	Stainless Steel
<b>Dimensions (L x W x H):</b>	19-1/4" x 13" x 18-3/8"
<b>Approx. Shipping Weight:</b>	88 lbs.
<b>Cold Water Temperature Range:</b>	42° F – 48° F
<b>Cooling Capacity:</b>	4.0 GPH (85.6 oz. cups/hour)
<b>Cooling Technology:</b>	IceBank Heat Exchanger
<b>Refrigerant Gas:</b>	R134a
<b>Condensation Control:</b>	Forced ventilation (fan)
<b>Hot Water Temperature:</b>	185° F
<b>Hot Water Tank Capacity:</b>	0.265 gallons
<b>Heater Rating:</b>	1000 W
<b>Inlet Water Line:</b>	3/8", PE plastic tubing
<b>Electrical:</b>	115V/60Hz
<b>Power Consumption:</b>	1350 W
<b>Working Room Temperature:</b>	Min 41° F – Max 107° F
<b>Filter Capacity:</b>	6000 gallons or 6 months
*Based on 68° F inlet water & 77° F ambient air temp for 50° F chilled drinking water.	

- Three water dispensing options: cold water, hot water, and sparkling water.
- Filter is certified to NSF 42 for particulate, chlorine, taste, and odor reduction.
- UV Light prohibits bacterial growth on dispense nozzle.
- Energy-Savings mode reduces energy consumption by up to 75%.
- Includes hot water safety latch.
- CO<sub>2</sub> and H<sub>2</sub>O display alarms.
- Internal ice bank and adjustable thermostat.
- Drip tray: no drain line required.
- Fast fill rate 1 GPM.

### INSTALLATION KIT

- Installation and Operating instructions
- CO<sub>2</sub> Regulator
- Water Pressure Regulator
- Elkay WaterSentry® Filter and Mounting Bracket
- Additional tubing for connection to water and CO<sub>2</sub>
- Requires fittings for connection to water supply

PART: \_\_\_\_\_ QTY: \_\_\_\_\_

PROJECT: \_\_\_\_\_

CONTACT: \_\_\_\_\_

DATE: \_\_\_\_\_

NOTES: \_\_\_\_\_

APPROVAL: \_\_\_\_\_



AMERICAN PRIDE. A LIFETIME TRADITION. Like your family, the Elkay family has values and traditions that endure. For almost a century, Elkay has been a family-owned and operated company, providing thousands of jobs that support our families and communities.

**Included with Product:** Installation Kit

### PRODUCT COMPLIANCE

CAN/CSA C22.2 No. 120

GreenSpec®

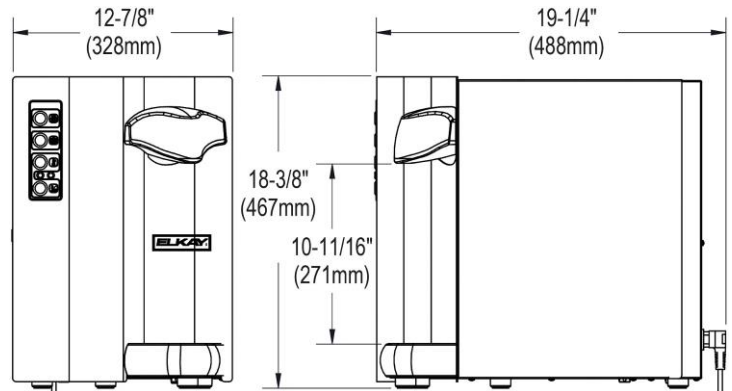
NSF/ANSI 42, 61, & 372 (lead free)

UL 399



[Installation Instructions \(PDF\)](#)

[Warranty \(PDF\)](#)



### OPTIONAL ACCESSORIES

WSF6000R-2PK - WaterSentry Fresh 6000 CTO Filter - Replacement (2pack)

DSCABWH - Elkay Water Dispenser Cabinet

*In keeping with our policy of continuing product improvement, Elkay reserves the right to change product specifications without notice. Please visit [elkay.com](http://elkay.com) for the most current version of Elkay product specification sheets. This specification describes an Elkay product with design, quality, and functional benefits to the user. When making a comparison of other producers' offerings, be certain these features are not overlooked.*