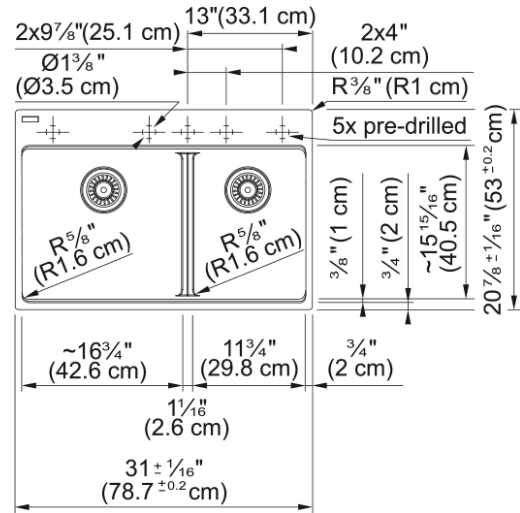


# Maris Topmount Sink - MAG6601611LD-MOC | 114.0687.087



## Technical Data

### Aspect

|                  |         |
|------------------|---------|
| Sink type        | Sink    |
| Type of material | Granite |
| Number of bowls  | 2       |
| Color            | Mocha   |
| Finish           | None    |

### Product Dimensions

|                                |        |
|--------------------------------|--------|
| Exterior size: right to left   | 30.984 |
| Exterior size: front to back   | 20.866 |
| Large bowl size: right to left | 16.945 |
| Large bowl size: front to back | 15.606 |
| Large bowl: depth              | 9.492  |
| Small bowl size: right to left | 11.984 |
| Small bowl size: front to back | 15.606 |
| Small bowl: depth              | 9.492  |

### Installation

|                      |     |
|----------------------|-----|
| Minimum cabinet size | 33" |
|----------------------|-----|

### Product specifications

|                     |                    |
|---------------------|--------------------|
| Installation type   | Topmount / drop in |
| Drain hole          | 3 1/2"             |
| Position of drainer | No drainer         |

### Product identification

|                |        |
|----------------|--------|
| Product brand  | FRANKE |
| Product family | Maris  |
| Collection     | Maris  |
| Certified by   | IAPMO  |

### Features

|                 |            |
|-----------------|------------|
| Drainers number | No drainer |
|-----------------|------------|

## Features

|                            |                |
|----------------------------|----------------|
| Product reversibility      | No             |
| Faucet ledge               | Yes            |
| Strainer assembly included | No             |
| Strainer assembly type     | No waste kit   |
| Overflow                   | No             |
| Number of faucet holes     | 5 - pre-scored |
| Soap dispenser hole        | No             |