

BATHROOM  
Canterbury Wall-Mounted  
Lavatory Faucet  
**G-2531-LM15**

---

**GRAFF®**



### **Information**

- Installs on 8" centers
- Aerated flow rate  $\leq 1.2$  max gpm
- 9-1/4" spout reach
- Drain assembly not included
- Optional Matching Decorative Trap G-9973
- ADA
- CALGreen

# G-2531-LM15

Nantucket Collection

Wall-Mounted Lavatory Faucet (Rough and Trim)

**GRAFF**<sup>®</sup>  
CUTTING EDGE DESIGN



## Product Features

- Installs on 8" centers
- Aerated flow rate ~ 2.2 gpm @ 60 psi
- 9-1/4" spout reach
- Drain assembly not included

## Available Finishes

- Polished Chrome G-2531-LM15-PC
  - Steelnox<sup>®</sup> G-2531-LM15-SN
  - Olive Bronze G-2531-LM15-OB
  - Polished Nickel G-2531-LM15-PN
  - \*18K Gold G-2531-LM15-AU
- \*Special order finish, call for availability

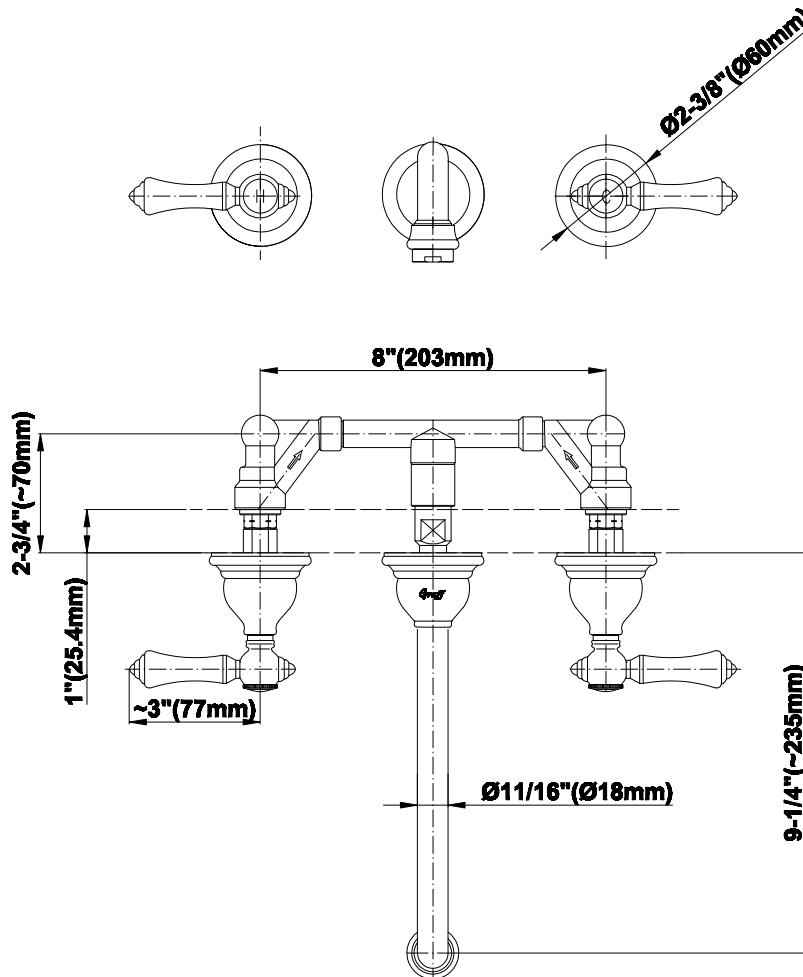
## Optional Accessories

- Decorative trap G-9970-\*\*
- Water-saving aerator G-9300

## Warranty

- Limited lifetime warranty

For complete warranty information go to [www.graff-faucets.com/en-nam/warranty](http://www.graff-faucets.com/en-nam/warranty)



The measurements shown are for reference only. Products and specifications shown are subject to change without notice. Revised 07/2012.

[www.graff-faucets.com](http://www.graff-faucets.com) | phone: 800-954-4723



## Information

- 1/2" male NPT inlets

## Finishes



24K Gold



24K Brushed  
Gold



Olive Bronze



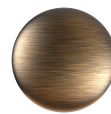
Polished  
Chrome



Polished  
Nickel



SteeInox®  
(Satin Nickel)



Vintage  
Brushed Brass

BATHROOM  
Canterbury Wall-Mounted  
Lavatory Faucet  
**G-2531-LM15**

**GRAFF®**



## Information

- Installs on 8" centers
- Aerated flow rate  $\leq 1.2$  max gpm
- 9-1/4" spout reach
- Drain assembly not included
- Optional Matching Decorative Trap G-9973
- ADA
- CALGreen

## Finishes



24K Gold



24K Brushed  
Gold



Olive Bronze



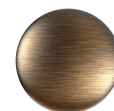
Polished  
Chrome



Polished  
Nickel



Steelnox®  
(Satin Nickel)



Vintage  
Brushed Brass

# G-2531-LM15

Nantucket Collection

Wall-Mounted Lavatory Faucet (Rough and Trim)

**GRAFF**<sup>®</sup>  
CUTTING EDGE DESIGN



## Product Features

- Installs on 8" centers
- Aerated flow rate ~ 2.2 gpm @ 60 psi
- 9-1/4" spout reach
- Drain assembly not included

## Available Finishes

- Polished Chrome G-2531-LM15-PC
  - Steelnox<sup>®</sup> G-2531-LM15-SN
  - Olive Bronze G-2531-LM15-OB
  - Polished Nickel G-2531-LM15-PN
  - \*18K Gold G-2531-LM15-AU
- \*Special order finish, call for availability

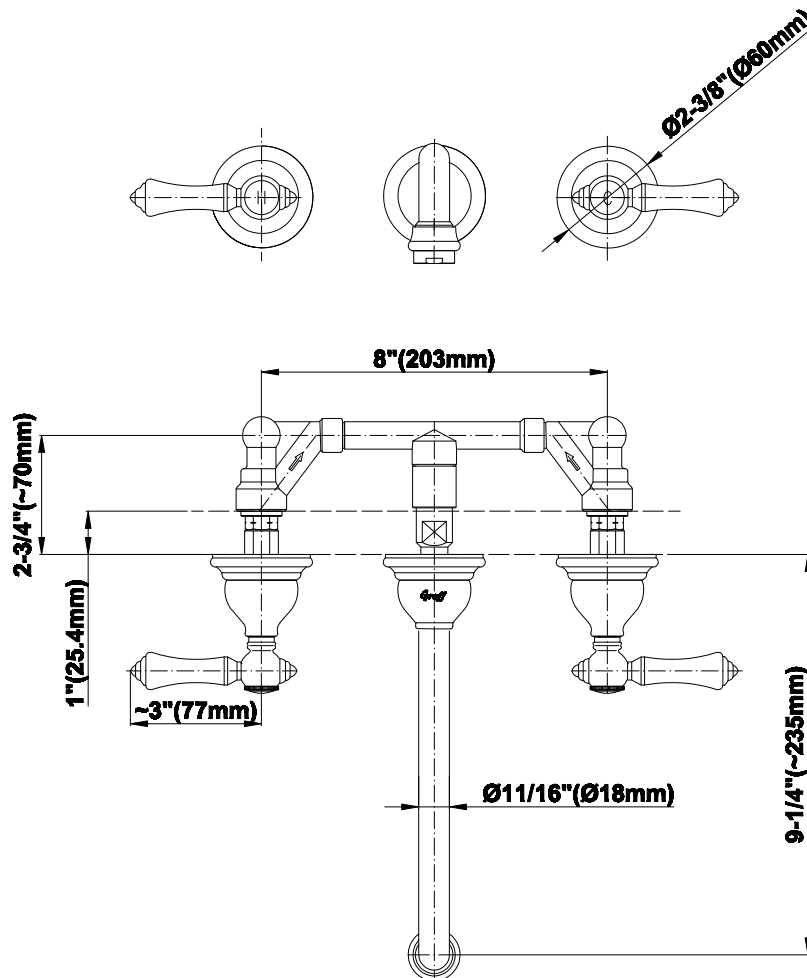
## Optional Accessories

- Decorative trap G-9970-\*\*
- Water-saving aerator G-9300

## Warranty

- Limited lifetime warranty

For complete warranty information go to [www.graff-faucets.com/en-nam/warranty](http://www.graff-faucets.com/en-nam/warranty)



The measurements shown are for reference only. Products and specifications shown are subject to change without notice. Revised 07/2012.

[www.graff-faucets.com](http://www.graff-faucets.com) | phone: 800-954-4723