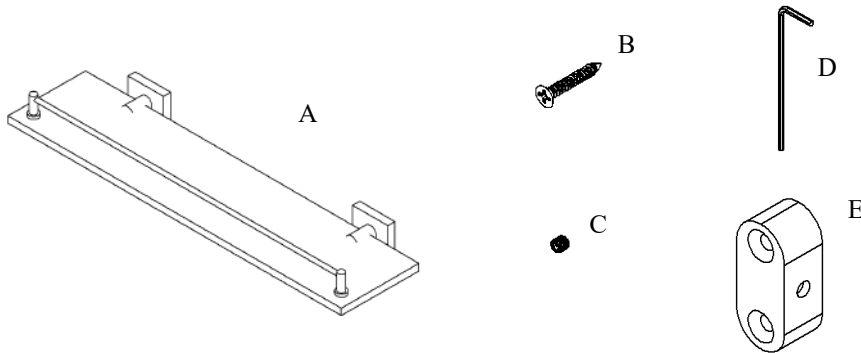




Exhilarating by Design

Volkano Crater Glass Shelf Installation Guide

Code: V62763, V62764, V62765



| Parts Included | QTY |
|----------------|-----|
| A - Shelf | 1 |
| B - Screw | 4 |
| C - Set Screw | 2 |
| D - Allen Key | 1 |
| E - Bracket | 2 |

| Model # | Description | Finish | Weight (lb) | WxHxD (mm) | WxHxD (Inches) | Metal Type |
|---------|--------------------|----------------|-------------|----------------|-------------------|------------|
| V62763 | Crater Glass Shelf | Chrome | 3.344 | 520 x 57 x 141 | 20.5 x 2.25 x 5.5 | Brass |
| V62764 | Crater Glass Shelf | Brushed Nickel | 3.344 | 520 x 57 x 141 | 20.5 x 2.25 x 5.5 | Brass |
| V62765 | Crater Glass Shelf | Matte Black | 3.344 | 520 x 57 x 141 | 20.5 x 2.25 x 5.5 | Brass |

Warranty: 2 Years

Care & Maintenance: A periodic wash using warm water and a soft cloth will retain the high quality finish of your Volkano product for many years to come. ON NO ACCOUNT should any household bleaches, detergents, abrasive polishes, steel wool or other cleaning agents be used on this item.

