

**These instructions are for cabinet combinations:**

E444-H15-MCA Addison Grand Tower Hutch is mounted to a wall (floating)

E444-H15-MCA Addison Grand Tower Hutch paired with E444-ST15-MCA Wooden Base.

E444-H15-MCA Addison Grand Tower Hutch paired with E444-BC15-MCA Base with Drawers.

E444-H15-MCA Addison Grand Tower Hutch paired with E444-CU30-MCA Free Standing Countertop Unit .

Assembly / Installation Instructions**Important Notes:**

This Addison Grand Tower Hutch may be used freestanding with bases, or may be mounted to a Wall (floating).

If you are using this Hutch as a Wall mounted (floating) unit, please refer to pages 02 - 04,08.

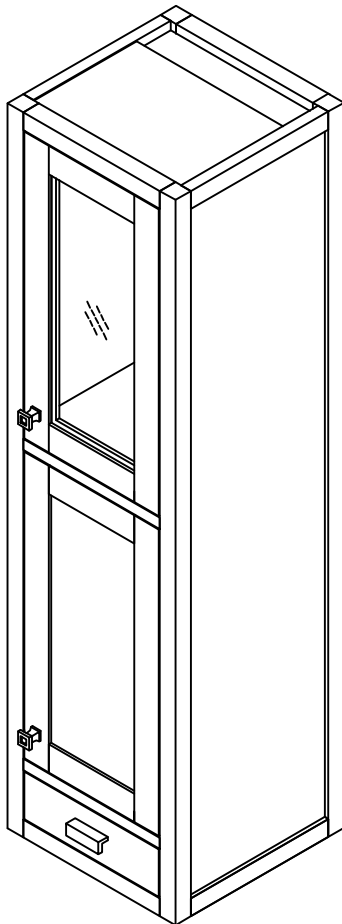
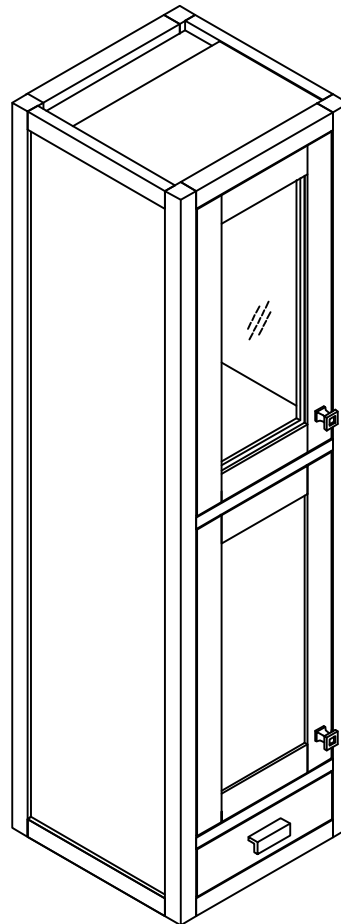
If you are using this Hutch freestanding with E444-ST12-MCA Wooden Base, please refer to pages 05,08.

If you are using this Hutch freestanding with E444-BC15-MCA Base, please refer to pages 06-08.

If you are using this Hutch freestanding with E444-CU30-MCA Free Standing Countertop Unit, please refer to pages 06-08.

Note 1: The Hutch has right and left style to choose, you can choose right or left for your group combination.

For your safety and to achieve the best possible installation of this vanity cabinet, James Martin Vanities always recommends you consult with a professional contractor. Two people are required for the assembly and installation of these cabinets.

E444-H15R-MCA - Right**E444-H15L-MCA - Left**

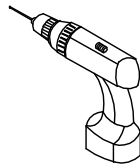


These instructions are for cabinet combination:

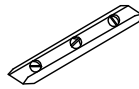
E444-H15-MCA Addison Grand Tower Hutch is mounted to a wall (floating)

Assembly / Installation Instructions

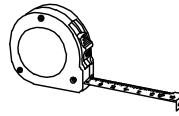
**Materials
for
Installation:**



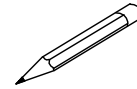
Drill



Level



**Tape
Measuring**

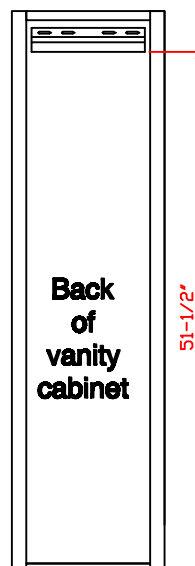


Pencil



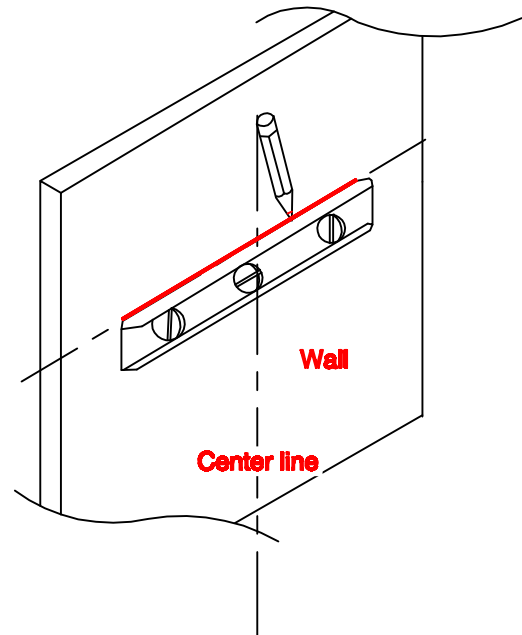
Stud Finder

**F Pre-attached metal mounting
(French Cleat) bracket**



Step 1 Notes:

The metal mounting bracket has been pre-installed to the backside of the Hutch 51 1/2" from the bottom of the cabinet.



Step 2 Notes:

Draw a horizontal line on the wall at your desired height.

Step 3 Notes:

Locate and mark the position of the wall's interior studs to which you will fasten the metal bracket.

We recommend the use of an electronic stud finder to locate the studs.

(Alternately, you may find studs by listening for a solid sound as you knock on the Wall)

Special Note 1:

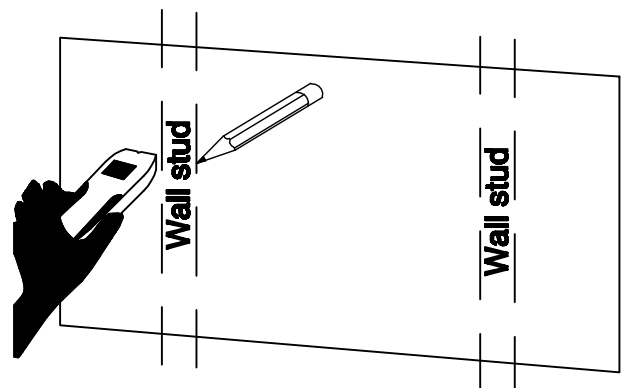
If the studs in your bathroom do not line up to the mounting location for your vanity, additional wood blocking can be installed between the studs using standard 2 x 4 lumber.

Special Note 2:

Due to the narrow width of this cabinet, you may decide to use drywall anchors if the Wall studs are not spaced appropriately.

IMPORTANT:

James Martin Vanities recommended you always consult with professional installers and contractors regarding the correct installation of our products.



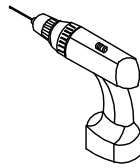


These instructions are for cabinet combination:

E444-H15-MCA Addison Grand Tower Hutch is mounted to a wall (floating)

Assembly / Installation Instructions

**Materials
for
Installation:**



Drill



Pencil



Hammer

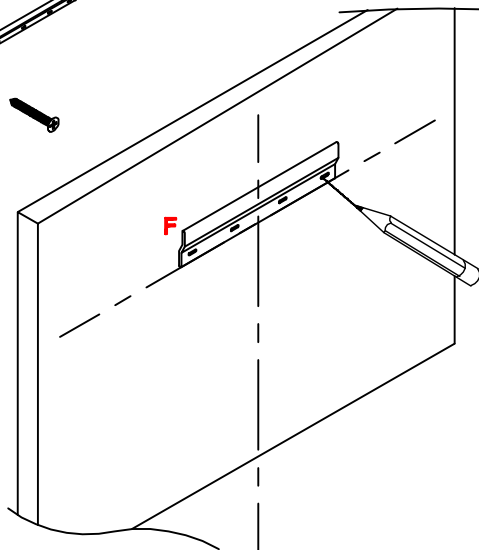
E=4PCS Drywall anchor Ø6*38mm



F=1PC Metal Brackett 280mm



G=4PCS Screws Ø4*40mm

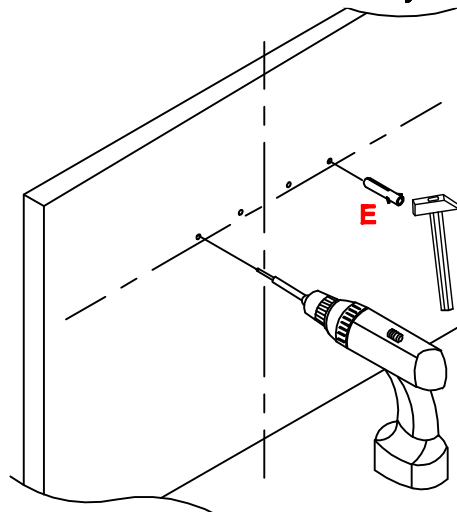


Step 4 Notes:

After you have located the Wall studs, position the metal bracket so the holes align with the center points of the studs. Mark these positions with a pencil.

Step 5 Notes:

Drill holes for the screws in the positions you have marked with the pencil. Drill the holes' depth no less than 1 1/2". insert "E" to the holes by using hammer.



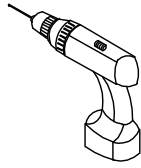


These instructions are for cabinet combination:

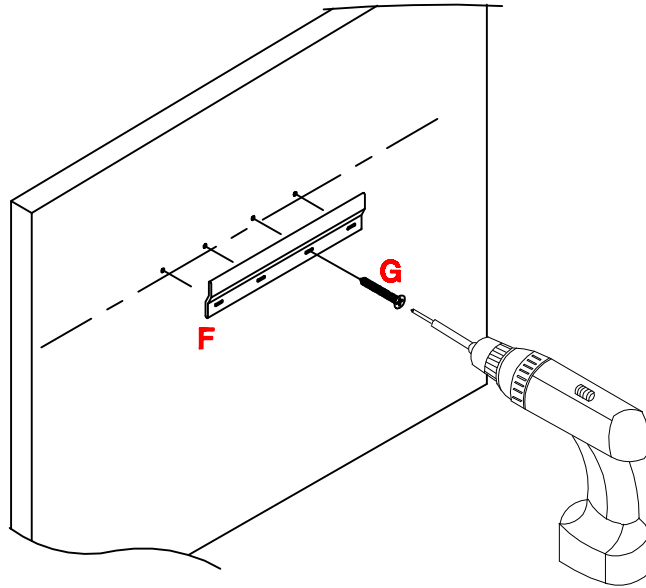
E444-H15-MCA Addison Grand Tower Hutch is mounted to a wall (floating)

Assembly / Installation Instructions

Materials
for
Installation:



Drill

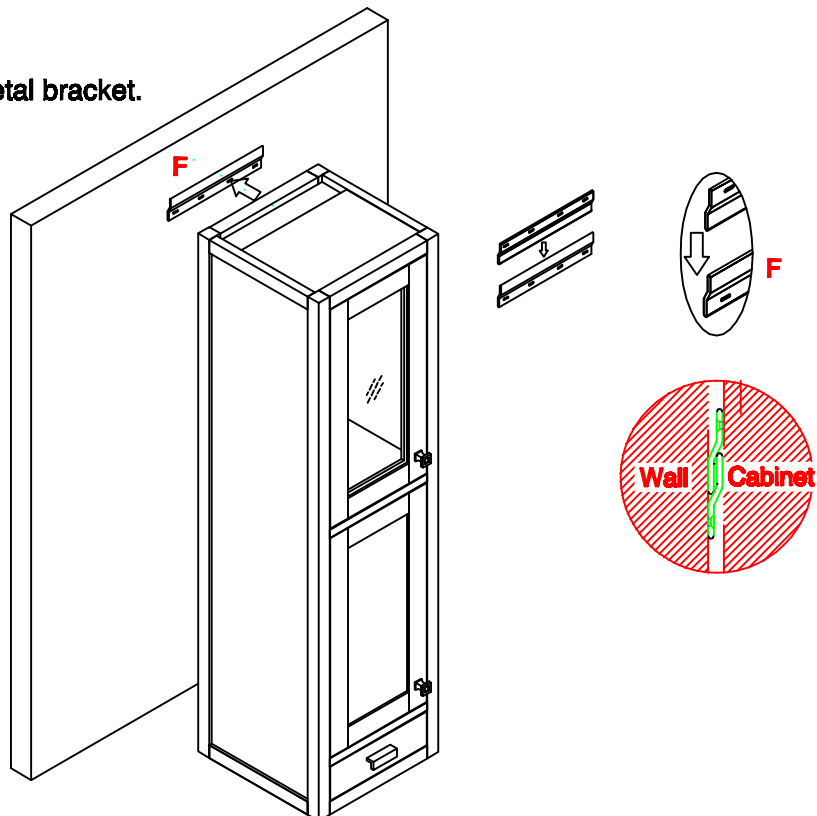


Step 6 Notes:

Attach the metal bracket to the Wall using the screws "G" included in the red hardware bag.

Step 7 Notes:

Hang the Hutch on the metal bracket.

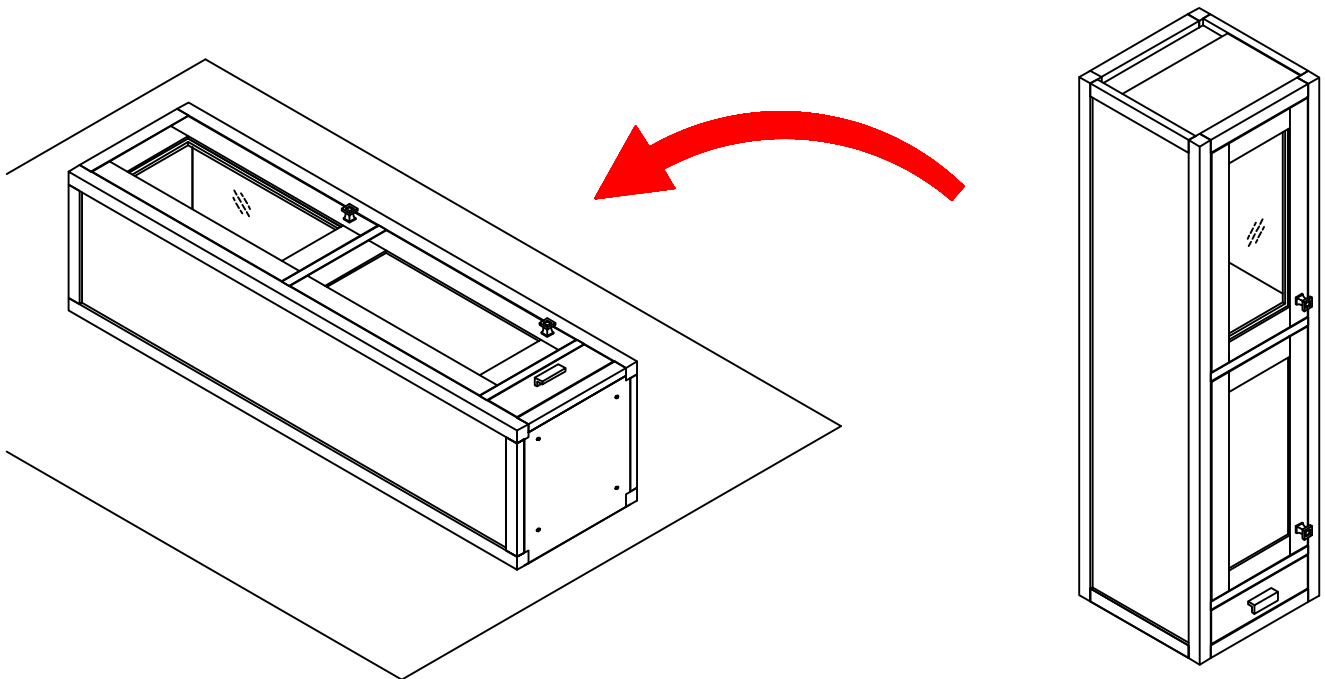




These instructions are for cabinet combination:

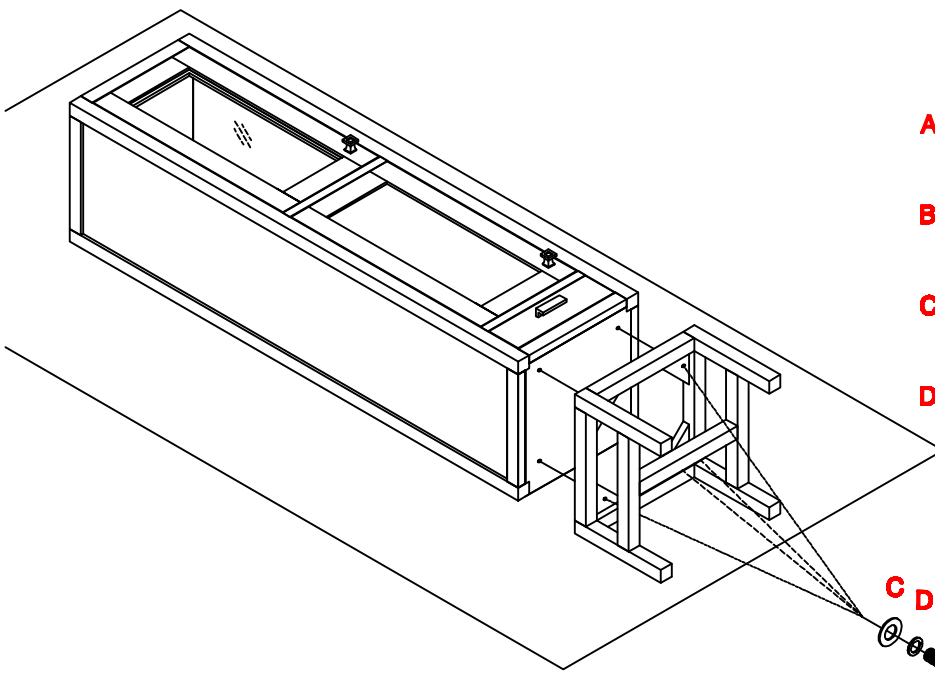
E444-H15-MCA Addison Grand Tower Hutch paired with E444-ST15-MCA Wooden Base.

Assembly / Installation Instructions



Step 1 Notes:

Please place a blanket or other soft material on the floor and then place the cabinet on its back.



A = 4 pcs bolt 1/4" x 1 1/4"



B = 1 pc allen wrench #04



C = 4 pcs spring washer 1/4"



D = 4 pcs flat washer 1/4" x 5/8"



Step 2 Notes:

Please locate the red hardware bag which is included with the Hutch.

Attach the wooden base to the bottom of the Hutch using the bolts (A) through the spring washers (D) and the flat washers (C). Secure the bolts by turning the Allen Wrench (B)



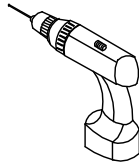
These instructions are for cabinet combination:

E444-H15-MCA Addison Grand Tower Hutch paired with E444-BC15-MCA Base with Drawers.

E444-H15-MCA Addison Grand Tower Hutch paired with E444-CU30-MCA Free Standing Countertop Unit .

Assembly / Installation Instructions

**Materials
for
Installation:**



Drill

H=2PCS Bracket 80*50*2mm



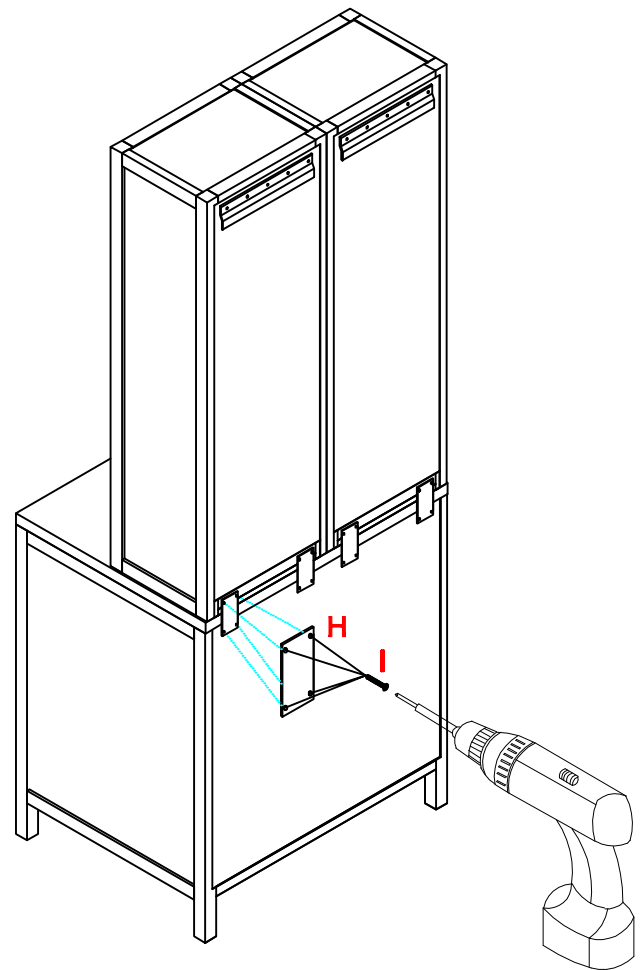
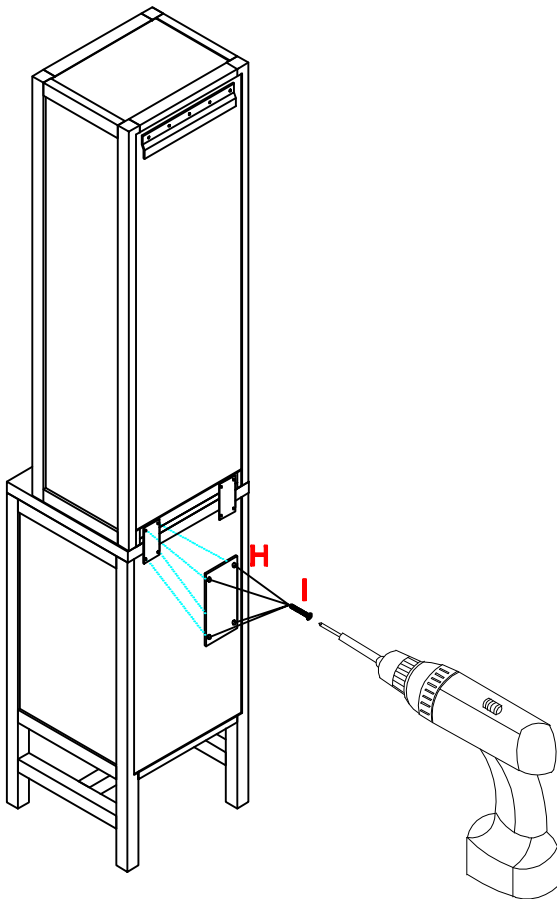
I=8PCS Screws Ø4*15mm



H=4PCS Bracket 80*50*2mm



I=16PCS Screws Ø4*15



IMPORTANT NOTE

To prevent accidental tip-over of these cabinets, you must follow these steps 4 and 5.

Step 1 Notes: Use Mending Plates (H) and Screws (I) to attach the E444-H15-MCA Grand Hutch to E444-BC15-MCA Base or E444-CU30-MCA Free Standing Countertop Unit.

The mending plates(H) have been attached on the back of the Grand Hutch and screws (I) are included inside the specially marked red color hardware bag. (This hardware red bag is included with the Grand Hutch)



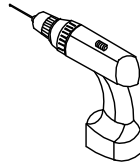
These instructions are for cabinet combination:

E444-H15-MCA Addison Grand Tower Hutch paired with E444-BC15-MCA Base with Drawers.

E444-H15-MCA Addison Grand Tower Hutch paired with E444-CU30-MCA Free Standing Countertop Unit .

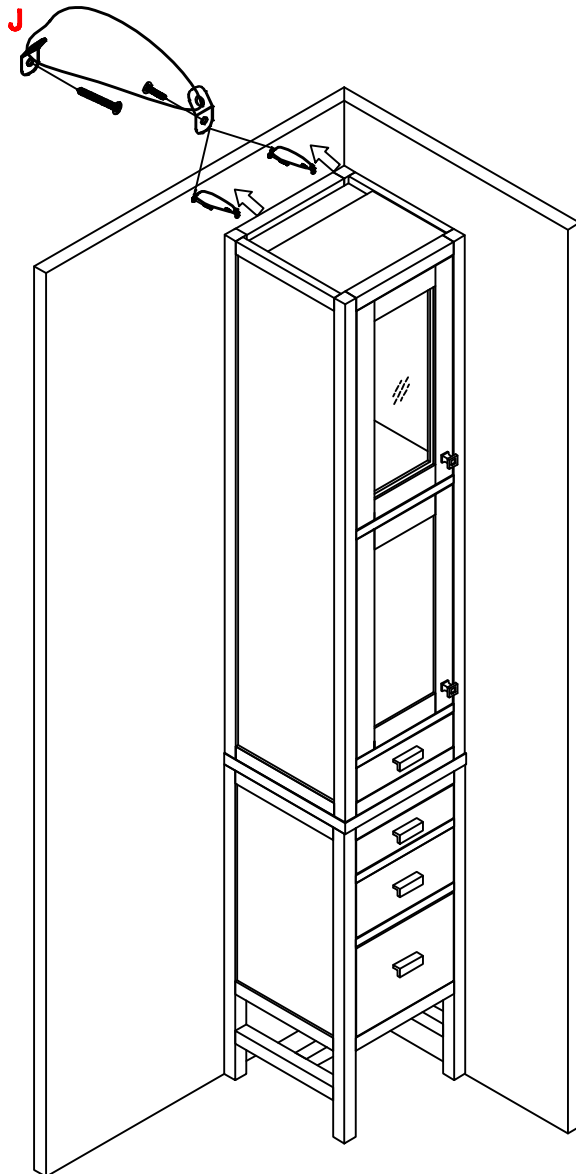
Assembly / Installation Instructions

**Materials
for
Installation:**

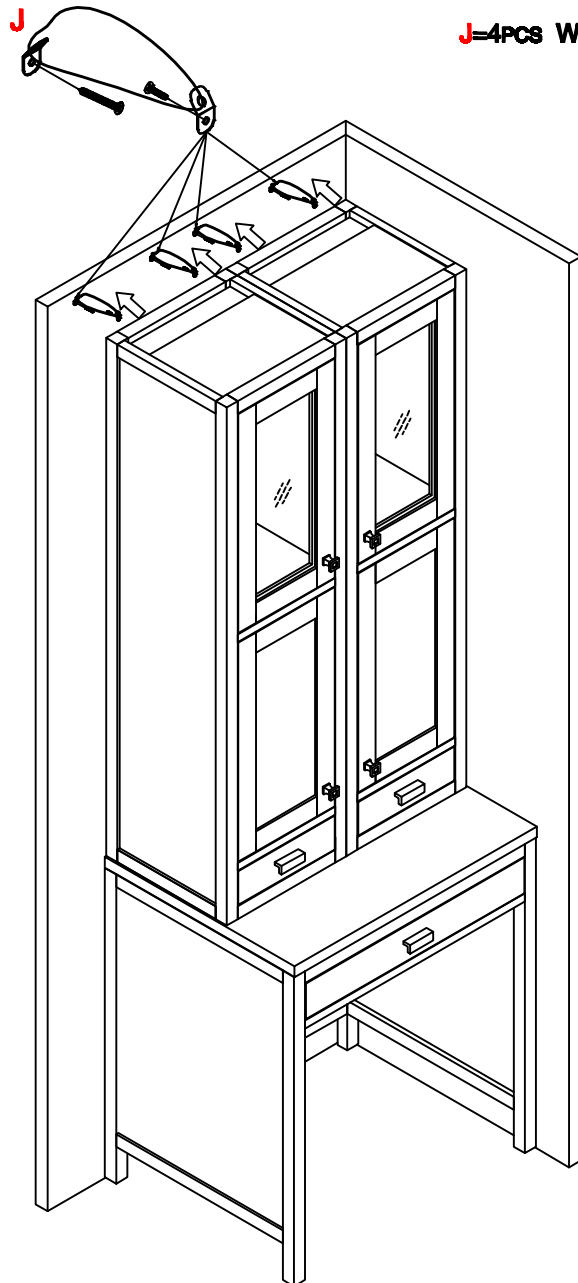


Drill

J=2PCS Wall Anchor



J=4PCS Wall Anchor



IMPORTANT NOTE

Step 2 Notes: Once you have moved these cabinets into their final position, Use the Wall Anchor Kit (J) to attach the top of the E444-H12 Tower Hutch to the wall.

The Wall Anchor Hardware Kits (J) are included inside the specially marked white color hardware bags. (Two hardware bags are included with the Hutch)



These instructions are for the glass shelves Installation:

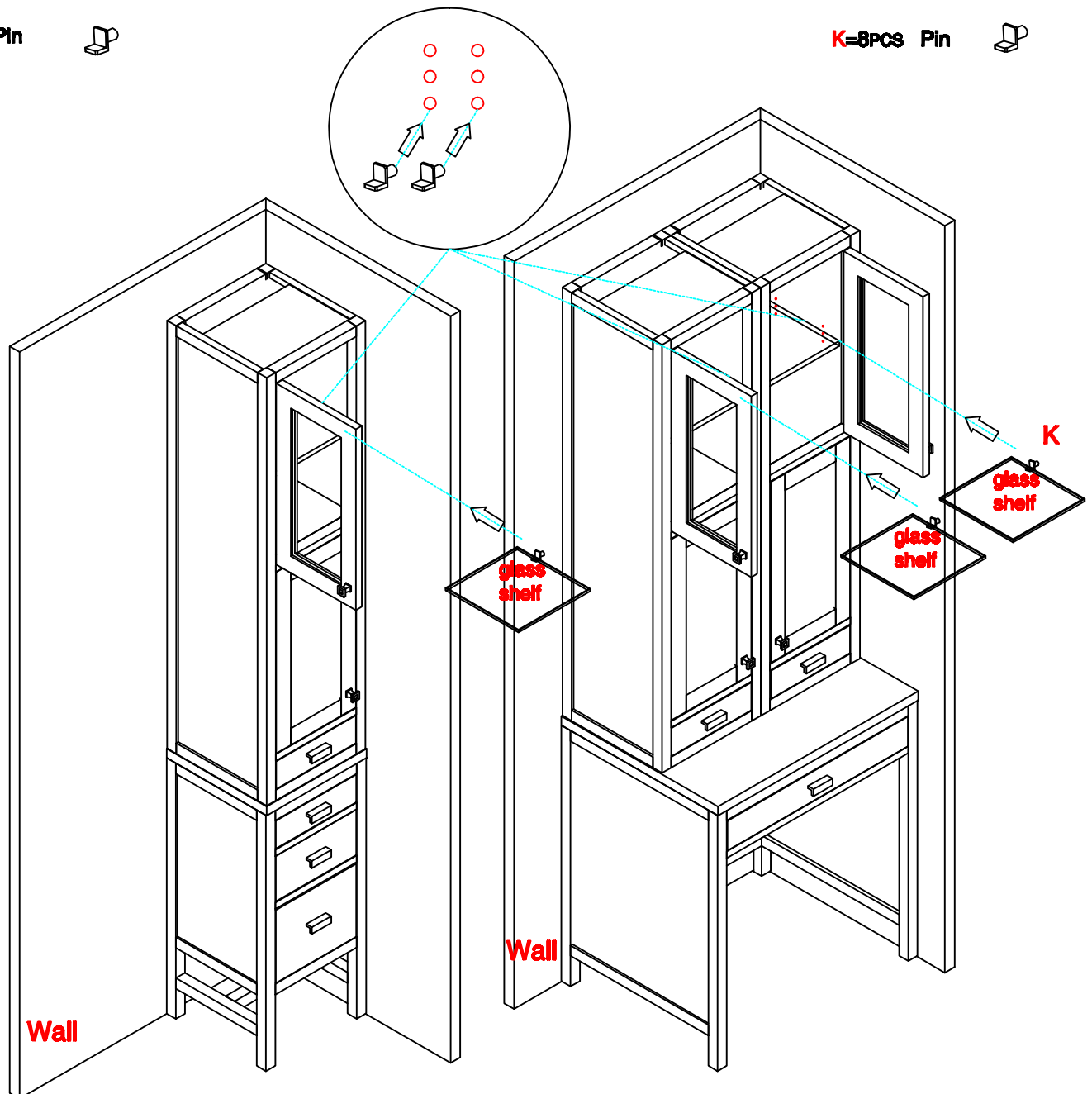
E444-H15-MCA Addison Grand Tower Hutch

Assembly / Installation Instructions

K=4PCS Pin



K=8PCS Pin



Note1: Once you have successfully secured these cabinets to the wall, you place the glass shelf into position. The glass shelf is placed in the upper portion of Grand Tower Hutch (behind the glass doors). The glass shelf is packed into a small carton marked E444-H15-MCA and glass shelf inside. The glass shelf is included with the hutch.

Step 1 Notes: Insert the Shelf Pins (C) into the pre-drilled holes on each side of the interior of the hutch. There are three height levels so you can choose your ideal placement for the glass shelf. The Shelf Pins are included inside the specially marked red color hardware bag. (This hardware bag is included with the hutch)