

# KALLISTA®

## Kennebec® 2-Piece Toilet

### FEATURES

- Vitreous china
- Elongated bowl
- Two-piece; chair-height seating
- 1.28 gpf (4.8 lpf)
- 2" (51 mm) glazed trapway
- Includes polished chrome plated brass trip lever

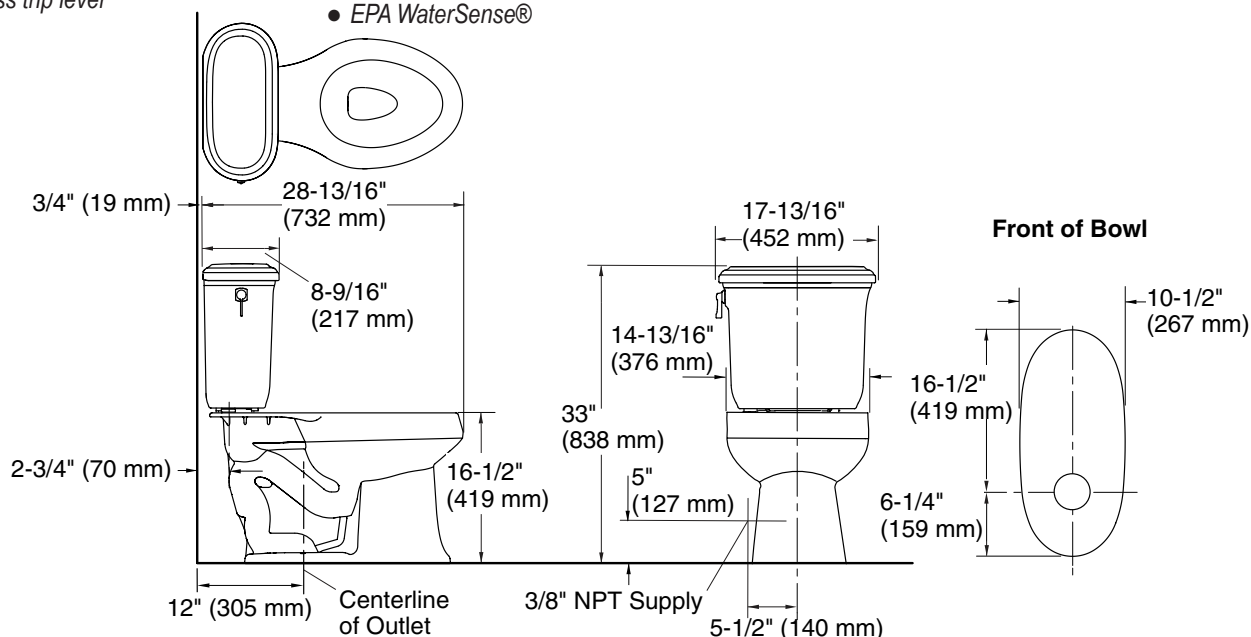
### CODES/STANDARDS APPLICABLE

Specified model meets or exceeds the following:

- ADA
- ICC/ANSI A117.1
- CSA B651
- OBC
- ASME A112.19.2/CSA B45.1
- EPA WaterSense®

## P70321, P70322, Combination P70320

**ADA** **CSA B651** **OBC**



### PRODUCT INFORMATION

Fixture:	
Configuration	two-piece, elongated
Water per flush	1.28 gal (4.8 L)
Passageway	2-1/8" (54 mm)
Water area	9" (229 mm) x 8" (203 mm)
Water depth from rim	6-3/4" (171 mm)
Seat post hole centers	5-1/2" (140 mm)

### INSTALLATION NOTES

Will comply with the American Disabilities Act (**ADA**) when installed per the requirements of the Accessibility Guidelines, Section 604 Water Closets, of the Act. The Model Plumbing Codes require the installation of elongated open-front toilet seats in public bathrooms.

Will comply with CSA B651 when installed per Clause 4.3.6 of the standard.

Will comply with OBC when installed per Clause 3.8.3.8 and 3.8.3.9.

The model is acceptable for left-hand Accessible compartment installations only.

### SPECIFIED MODEL

Model	Description	Finishes		
P70320-00	Kennebec 2-Piece Toilet	<input type="checkbox"/> 0 Stucco White		
P70321-00	Kennebec Toilet Bowl	<input type="checkbox"/> 0 Stucco White		
P70322-00	Kennebec Toilet Tank	<input type="checkbox"/> 0 Stucco White		
Recommended Accessories (Choose one)				
P70303-CP, AD, AG, BL or BV	Classic Toilet Seat with Finished Brass, Slow-Close Hinges	<input type="checkbox"/> 0 Stucco White	<input type="checkbox"/> 96 Linen	
P70334-CP, AD, AG, BL or BV	Premium Toilet Seat with Finished Brass, Slow-Close Hinges	<input type="checkbox"/> JV Java	<input type="checkbox"/> EM Ebonized Mahogany	<input type="checkbox"/> KZ Brunette
Optional Accessory				
P70304-00	Classic Trip Lever Finish Upgrade	<input type="checkbox"/> AD Nickel Silver	<input type="checkbox"/> BZ Antique Bronze	
		<input type="checkbox"/> AG Brushed Nickel	<input type="checkbox"/> W6 Weathered Bronze	

We reserve the right to make revisions without notice in the design of products or in packaging unless this right has specifically been waived at the time the order is accepted.