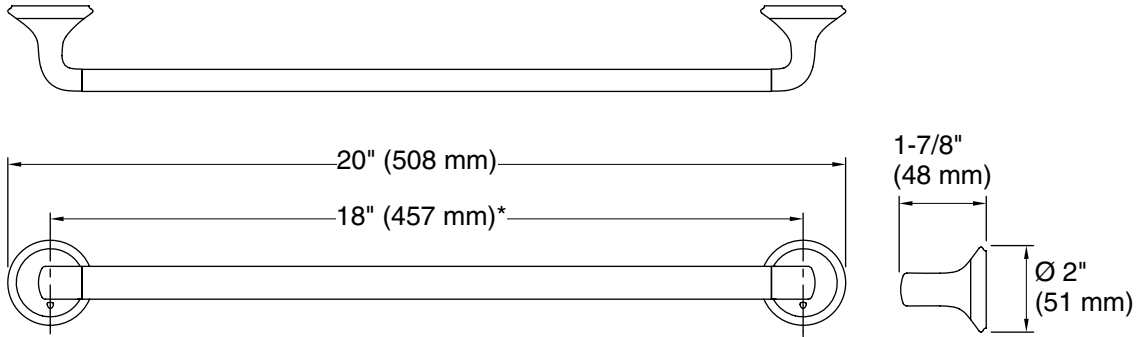


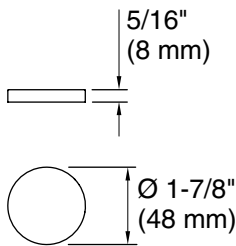
FEATURES

P34709

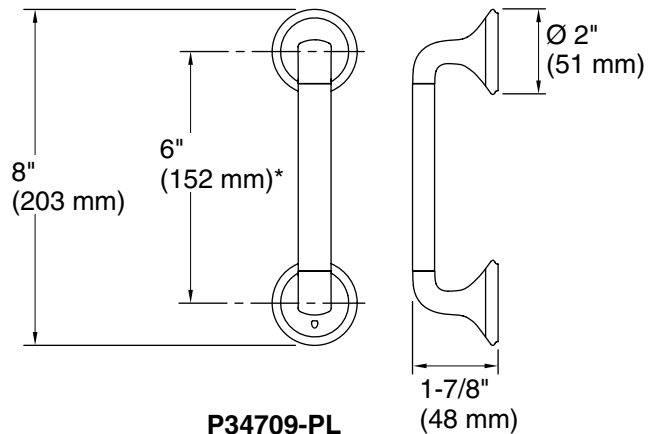
- Solid metal construction for durability and reliability
- Includes hex wrench for installation
- For use with 1/2" (13 mm) or 3/8" (10 mm) thick glass
- Complements KALLISTA's transitional faucets and fixtures



P34709-TT



P34709-00



P34709-PL

INSTALLATION NOTES

Install these products according to the instruction guide.

*These handles are designed to be paired with the Heavy Glass Pivot shower doors. For custom installations, 1/2" (13 mm) diameter holes are required at the dimensions shown.

SPECIFIED MODEL

Model	Description	Finishes		
		<input type="checkbox"/> CP Polished Chrome	<input type="checkbox"/> AD Nickel Silver	<input type="checkbox"/> AG Brushed Nickel
P34709-00	Transitional Shower Door Handle Escutcheon	<input type="checkbox"/> W7 Black Nickel	<input type="checkbox"/> BCH Blush Bronze	
P34709-TT	Transitional Shower Door Towel Bar	<input type="checkbox"/> CP Polished Chrome	<input type="checkbox"/> AD Nickel Silver	<input type="checkbox"/> AG Brushed Nickel
		<input type="checkbox"/> W7 Black Nickel	<input type="checkbox"/> BCH Blush Bronze	
P34709-PL	Transitional Shower Door Handle Pull	<input type="checkbox"/> CP Polished Chrome	<input type="checkbox"/> AD Nickel Silver	<input type="checkbox"/> AG Brushed Nickel
		<input type="checkbox"/> W7 Black Nickel	<input type="checkbox"/> BCH Blush Bronze	

We reserve the right to make revisions without notice in the design of products or in packaging unless this right has specifically been waived at the time the order is accepted.