



Highline® Comfort Height®

two-piece elongated dual-flush toilet tank

K-3989-RA

Features

- Two-piece toilet.
- Elongated bowl offers added room and comfort.
- Comfort Height® feature offers a chair-height seat that makes sitting down and standing up easier for most adults.
- Right-hand nested trip lever offers a choice of 1.1 or 1.6 gallons per flush (gpf).
- 2-1/8-inch glazed trapway.
- Combination consists of the K-4199 bowl and the K-4458-RA tank.
- Seat not included.

Technology

- Dual-flush technology allows you to choose between a full- or partial-flush.

Installation

- Standard 12-inch rough-in.
- Three-bolt installation.

Water Conservation & Rebates

- WaterSense® toilets meet strict EPA flushing guidelines, including using at least 20 percent less water than 1.6-gallon toilets.
- Eligible for consumer rebates in some municipalities.

Recommended Products/Accessories

- K-4636 Cachet® Quiet-Close™ Elongated Toilet Seat
- K-5588 Purefresh® Elongated Toilet Seat
- K-4108 C³®-230 elongated cleansing toilet seat
- K-5420 Low-Profile Bolt Caps
- K-9236 Trip Lever Dual Flush
- 1023457 Wax Ring/Hardware Kit
- 1265114 Connector Hose

Included Components

Product consists of:

- K-4458-RA Dual-Flush Tank
- K-4458 Dual-Flush Tank
- K-4199 Comfort Height® Elongated Bowl
- K-9236 Trip Lever Dual Flush

Additional Components:

- Bolt cap accessory pack
- Bowl
- Tank
- Tank cover
- Trip lever



ADA **CSA B651** **OBC**

Codes/Standards




ASME A112.19.2/CSA B45.1
 EPA WaterSense®
 ADA
 ICC/ANSI A117.1
 CSA B651
 OBC

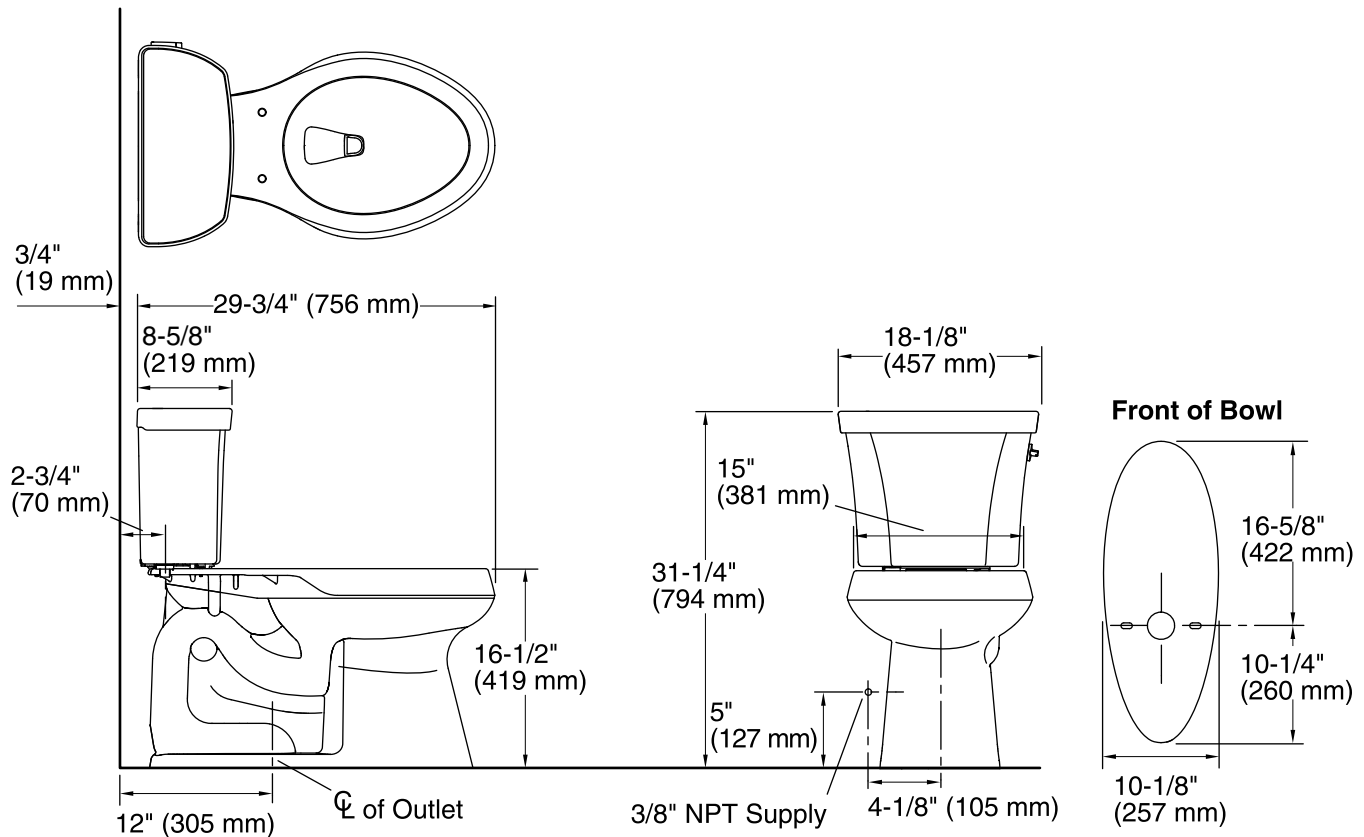
KOHLER® One-Year Limited Warranty

See website for detailed warranty information.

Available Colors/Finishes

Color tiles intended for reference only.

Color	Code	Description
	0	White
	96	Biscuit
	47	Almond



Technical Information

All product dimensions are nominal.

Toilet type:	Two-piece, Floor-mount
Waste Outlet:	Floor
Bowl shape:	Elongated
Flush type:	Class Five®
Trap passageway:	2-1/8" (54 mm)
Water Consumption	
Full:	1.6 gpf (6 lpf)
Reduced:	1.1 gpf (4.3 lpf)
Water surface size:	11-3/8" x 8" (289 mm x 203 mm)
Rim to water surface:	5-3/8" (137 mm)
Rough-in:	12" (305 mm)
Seat-mounting holes:	5-1/2" (140 mm)

Notes

Install this product according to the installation instructions.

The Model Plumbing Codes require the installation of elongated open-front toilet seats in public bathrooms.

ADA, OBC, CSA B651 compliant when installed to the specific requirements of these regulations.

Plumbing codes may require elongated toilets and elongated, open-front seats in public bathrooms.

Accessibility standards may require controls to be located on the open side of the toilet.