

## Features

- Two lever handles offer separate control of hot and cold water.
- 7-1/8" (181 mm) spout reach.
- 1.2 gpm (4.5 lpm) maximum flow rate at 60 psi (4.14 bar).
- Coordinates with other products in the Riff collection.

## Material

- Premium metal construction for durability and reliability.
- KOHLER finishes resist corrosion and tarnishing.

## Installation

- Wall-mount.

## Water Conservation & Rebates

- This product can help a building earn Water Efficiency points in LEED® Green Building Rating System.

## Required Products/Accessories

For wall-mount installation  
K-410-K Wall-mount Valve

## Recommended Products/Accessories

K-23726 Drain treatment  
K-23723 Faucet cleaner

## Optional Products/Accessories

K-7107 Decorative Drain  
K-7108 Decorative Drain  
K-7124 Pop-Up Clicker Drain  
K-7124-A Pop-Up Clicker Drain  
K-7129 Drain  
K-7129-A Drain  
K-8801 Sink drain and strainer with tailpiece  
1008176 Handle Kit - Deep Rough-In



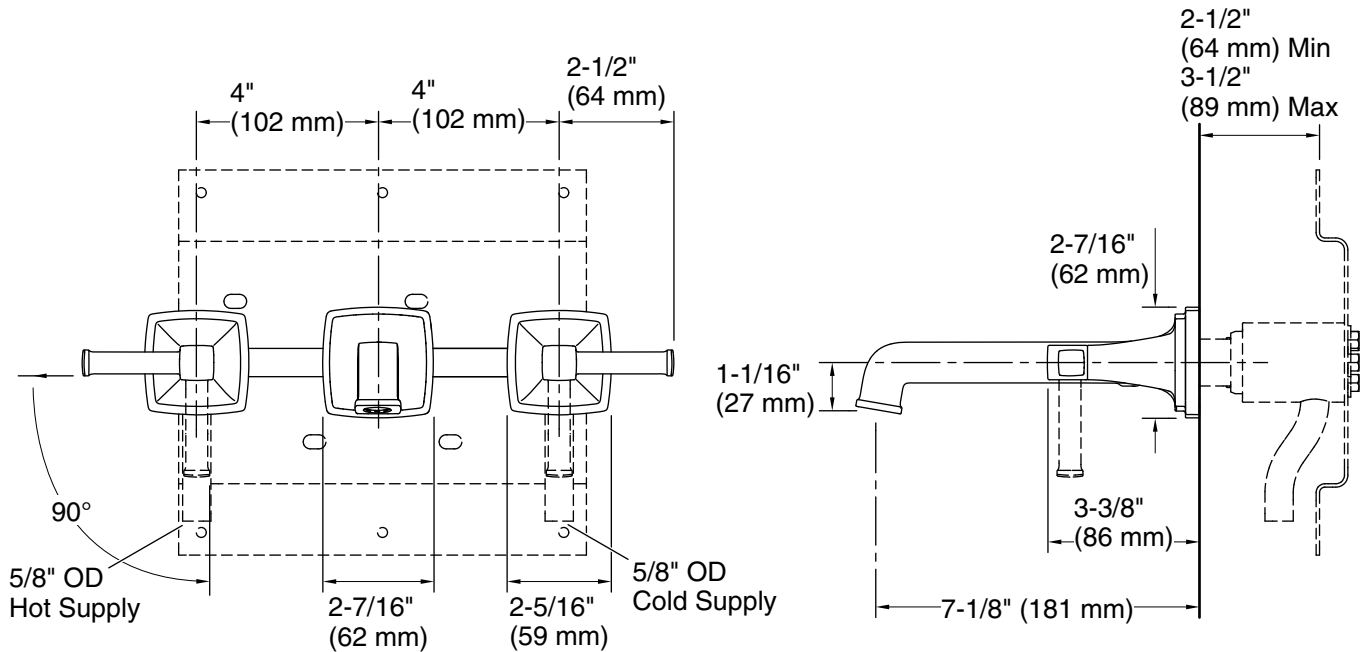
**ADA** **CSA B651** **OBC**

## Codes/Standards

ASME A112.18.1/CSA B125.1  
NSF/ANSI 61  
NSF/ANSI 372  
All applicable US Federal and State material regulations  
DOE - Energy Policy Act 1992  
EPA WaterSense®  
California Energy Commission (CEC)  
ADA  
ICC/ANSI A117.1  
CSA B651  
OBC

## KOHLER® Faucet Lifetime Limited Warranty

See website for detailed warranty information.



## Technical Information

All product dimensions are nominal.

### Faucet:

Flow rate: 1.2 gal/min (4.5 l/min)

Pressure: 60 psi (4.1 bar)

Valve body: Machined-brass

Drain included: No

### Spout:

Spout reach: 7-1/8" (180 mm)

## Notes

Install this product according to the installation instructions.

ADA, OBC, CSA B651 compliant when installed to the specific requirements of these regulations.