

### Features

- Patented K-joint installation ensures consistent trim appearance, regardless of variability in valve rough-in
- Wall-mount installation
- Ergonomic lever handle is ADA-compliant
- Trim requires valve to complete

### Required Products/Accessories

K-728-K 3/4" Two- or Three-Way Transfer Valve



ADA CSA B651 OBC

### Codes/Standards

ASME A112.18.1/CSA B125.1  
ADA  
ICC/ANSI A117.1  
CSA B651  
OBC

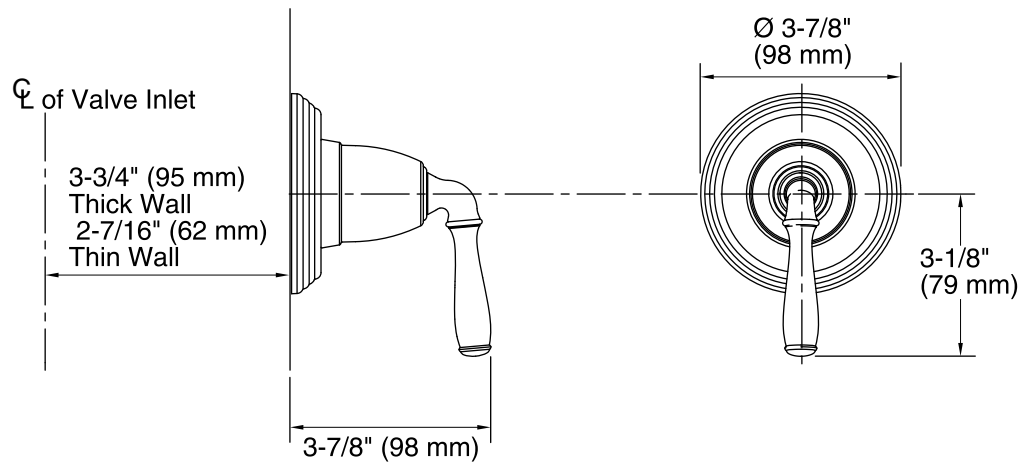
### KOHLER® Faucet Lifetime Limited Warranty

See website for detailed warranty information.

### Available Colors/Finishes

*Color tiles intended for reference only.*

| Color  | Code | Description              |
|--|------|--------------------------|
|  | CP   | Polished Chrome          |
|  | SN   | Vibrant® Polished Nickel |
|  | PB   | Vibrant® Polished Brass  |
|  | BN   | Vibrant® Brushed Nickel  |
|  | BV   | Vibrant® Brushed Bronze  |
|  | BRZ  | Oil-Rubbed Bronze        |
|  | 2BZ  | Oil-Rubbed Bronze        |



**Technical Information**

All product dimensions are nominal.

**Notes**

Install this product according to the installation guide.

ADA, OBC, CSA B651 compliant when installed to the specific requirements of these regulations.