

Features

- 24" (610 mm) slidebar length offers a custom shower at various heights.

Material

- Finish is engineered to resist corrosion and daily wear.

Installation

- Adjustable mounting brackets on slidebar provide installation flexibility.



ADA

CSA B651

OBC

Codes/Standards

ASME A112.18.1/CSA B125.1

ADA

ICC/ANSI A117.1

CSA B651


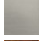

OBC

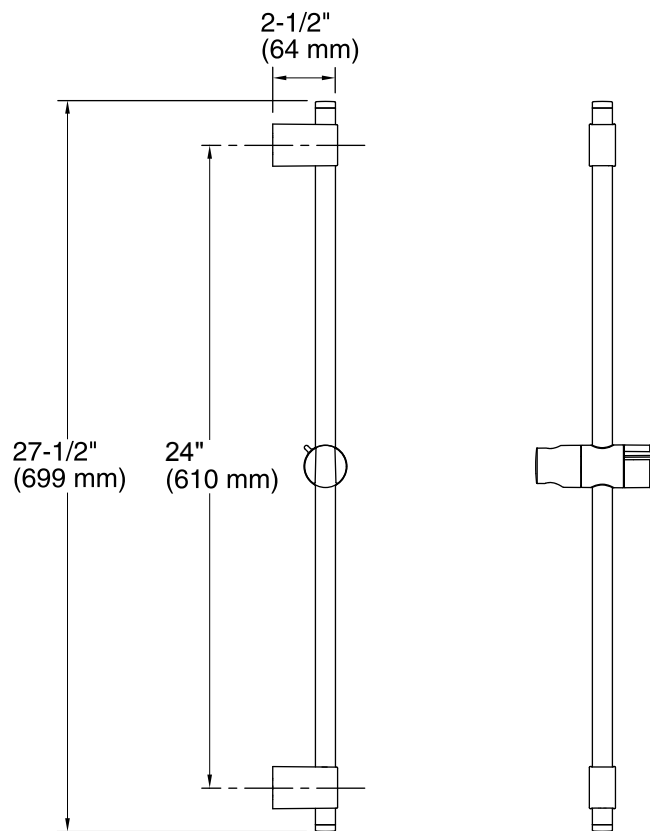
KOHLER® Faucet Lifetime Limited Warranty

See website for detailed warranty information.

Available Color/Finishes

Color tiles intended for reference only.

Color	Code	Description
	CP	Polished Chrome
	BN	Vibrant® Brushed Nickel
	2BZ	Oil-Rubbed Bronze



Technical Information

All product dimensions are nominal.

Notes

Install this product according to the installation guide.

Mount the slidebar to stud framing or install backing support.

For tile or other solid finish surfaces: Pre-drill mounting holes through surface material only; do not drill into the stud.

For drywall surface: No pre-drill is required.

NOTE: The mounting brackets can be adjusted to align with existing holes for retrofit installations.

ADA, OBC, CSA B651 compliant when installed to the specific requirements of these regulations.