

SILGRANIT®

LUXART.

Double Bowl 60/40 Offset Low Divide Undermount

Product Specifications

MODELS

- LX441590 Double Bowl, 9-1/2" bowl depths, ANTHRACITE
- LX441597 Double Bowl, 9-1/2" bowl depths, CAFÉ BROWN
- LX441593 Double Bowl, 9-1/2" bowl depths, WHITE
- LX441594 Double Bowl, 9-1/2" bowl depths, BISCUIT
- LX441592 Double Bowl, 9-1/2" bowl depths, METALLIC GRAY
- LX441595 Double Bowl, 9-1/2" bowl depths, BISCOTTI
- LX441596 Double Bowl, 9-1/2" bowl depths, TRUFFLE
- LX441591 Double Bowl, 9-1/2" bowl depths, CINDER



Model LX441590 shown in ANTHRACITE

FEATURES

- New low divide adds functionality and convenience
- Required outside cabinet: 36"
- 80% solid granite
- Heat resistant up to 536°F
- Unsurpassed cleanability backed by industry leading 7 patents!
- Resistant to scratches, stains and all household acids and alkali solutions
- Template provided with approximate 1/8" reveal
- Undermount clips included
- Limited lifetime warranty

OPTIONAL ACCESORIES

- Blanco Sink Grid (left bowl): 220998
- Blanco Sink Grid (right bowl): 231342

CODE/STANDARDS COMPLIANCE

ANSI Z124.6-97
IAPMO/UPC listed

NOMINAL DIMENSIONS

OVERALL	CUTOUT SIZE	BOWL DEPTH		DRAIN DIAMETER
		LEFT	RIGHT	
32"X20-7/8"	Template provided with approximate 1/8" reveal	9-1/2"	9-1/2"	3-1/2"

DFX cutout templates available on our website

Contact your sales representative for more information or visit our website at luxartcollection.com

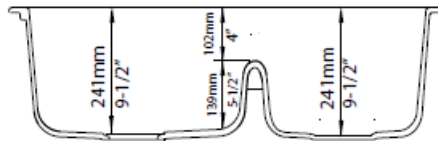
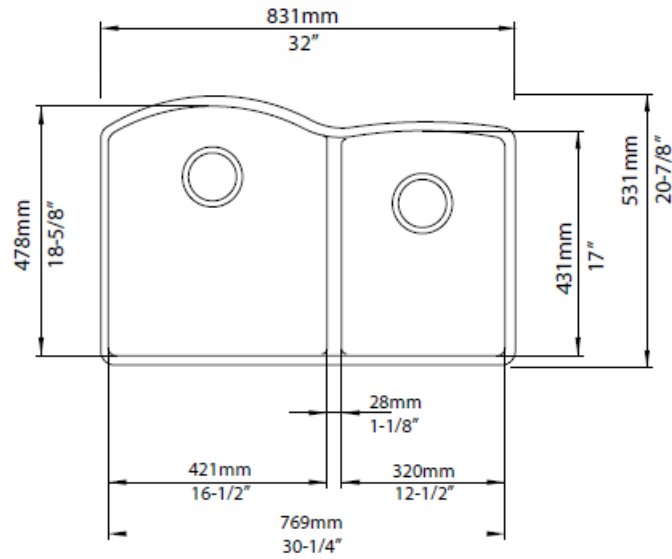
Revised 03-2017

SILGRANIT®

LUXART®

Double Bowl 60/40 Offset Low Divide Undermount

Product Specifications



Contact your sales representative for more information or visit our website at luxartcollection.com

Revised 03-2017