

Adjustable Curved Shower Rod

Product Specifications

Features: *The Luxart Adjustable Curved Shower Rod adds extra space and elegantly updates your bathroom.*

- Stainless steel, rust-resistant curved design
- Adds up to 25% more space in the shower
- Durable, heavy-duty construction
- Adjustable length from 50" – 72"
- Easy to install, Includes mounting hardware
- Pivoting flanges provide an easy, secure installation on inconsistent or uneven wall surfaces
- Decorative escutcheons conceal pivoting flanges and hide holes from previous shower rods
- Not a tension rod, but a fixed mount, so you never need to worry about it falling!

Length: 50 to 72"

Diameter: 1"

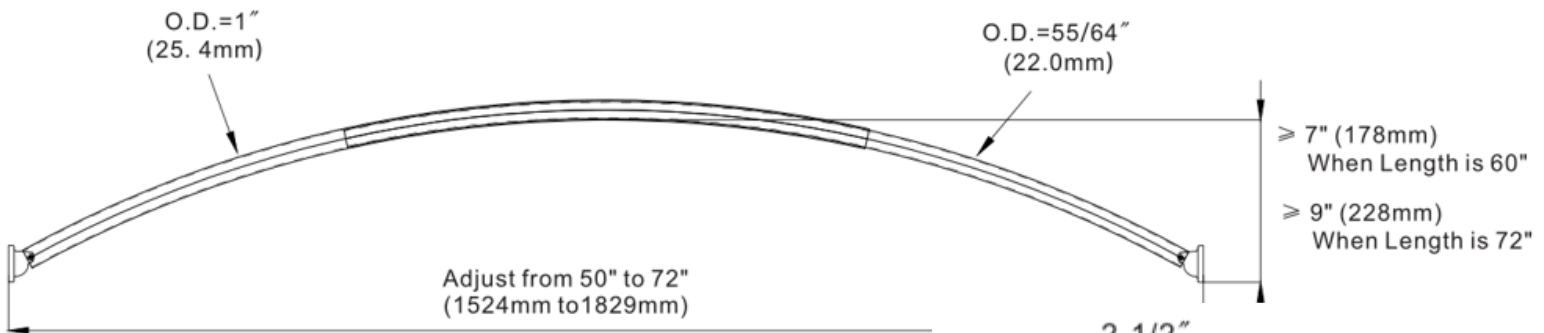
Material: Stainless Steel

Finish: Polished Chrome or Brushed Nickel

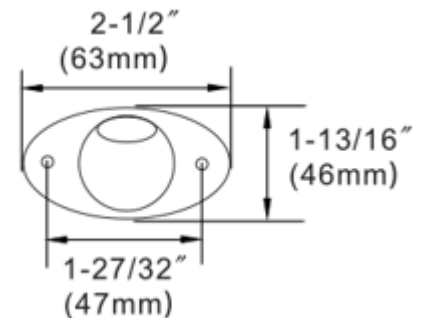
Mount Type: Fixed



LXCSR-CP
shown above



Thickness of the Stainless Steel Tube: 0.0236" (0.6mm)



Warranty

See warranty information for more details.

All dimensions listed are nominal. Luxart® reserves the right to make product and material changes at any time without notice.



Contact your sales representative for more information or visit our website at luxartcollection.com