

Vessel Drain Less Overflow

Drain de cuve sans trop-plein
Vasija sin retorno

Product Specifications

LUXART®



LUXPULO-CP
LUXPULO-BN
LUXPULO-ORB
LUXPULO-PN

FEATURES

- 100% Factory Pressure Tested

CARACTÉRISTIQUES

- Pression vérifiée en usine- 100%

CARACTERÍSTICAS

- Probado en fábrica bajo presión al 100%

APPLICABLE STANDARDS/CODES

Specified model meets or exceeds the following:

NORMES ET CODES APPLICABLES

Le modèle spécifié est conforme aux normes suivantes ou les dépasse:

NORMAS Y ESTÁNDARES APLICABLES

El modelo especificado reúne o sobrepasa las siguientes condiciones

- ASME A112.18.1/CSA B125.1
- IAPMO/cUPC

AVAILABLE FINISHES / FINIS OFFERTS / DISTINTOS ACABADOS:

- Polished Chrome / Chrome poli / Cromo lustrado (CP)
- PVD Brushed Nickel / PVD Nickel brossé / PVD Níquel cepillado (BN)
- Oil Rubbed Bronze / Bronze poncé à l'huile / Bronze lustrado al aceite (ORB)
- PVD Polished Nickel / PVD Nickel poli / PVD Níquel lustrado (PN)



Contact your sales representative for more information or visit our website at luxartcollection.com

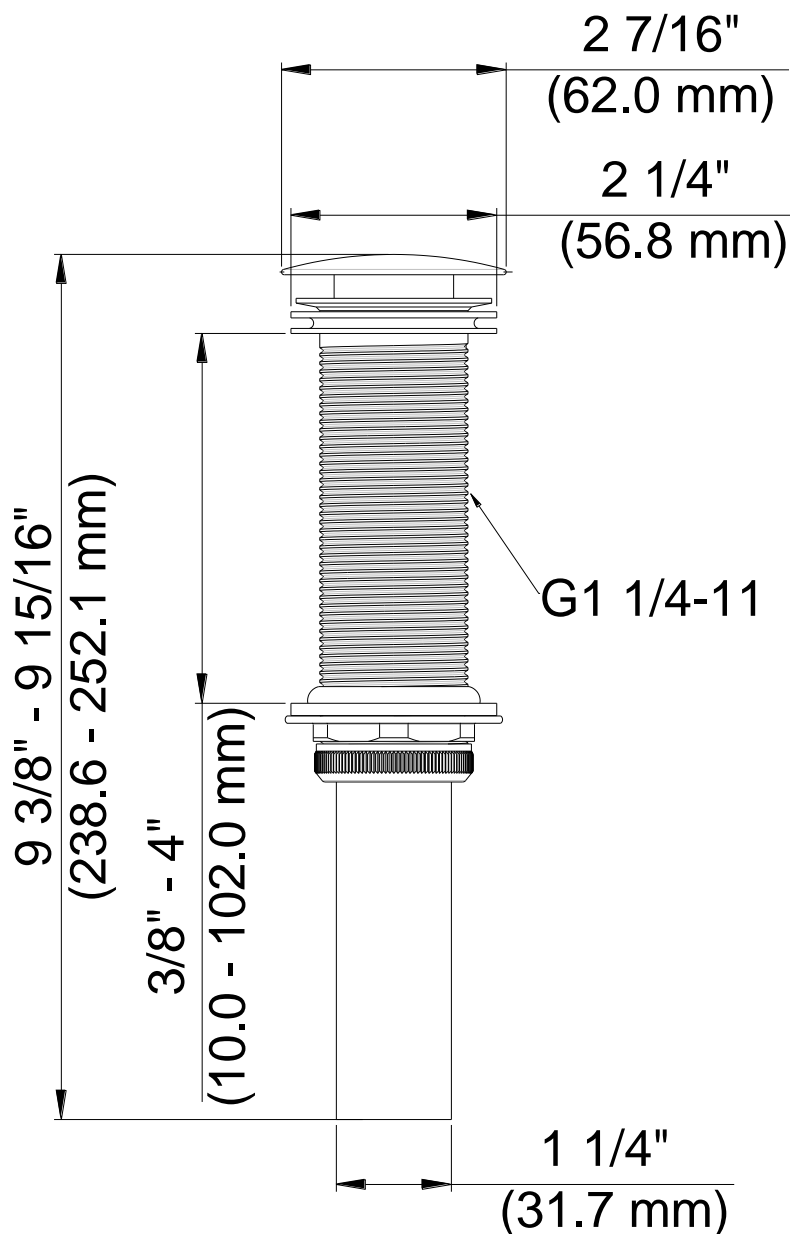
Vessel Drain Less Overflow

Drain de cuve sans trop-plein
Vasija sin retorno

Product Specifications

LUXART®

LUXPULO-CP
LUXPULO-BN
LUXPULO-ORB
LUXPULO-PN



Contact your sales representative for more information or visit our website at luxartcollection.com