



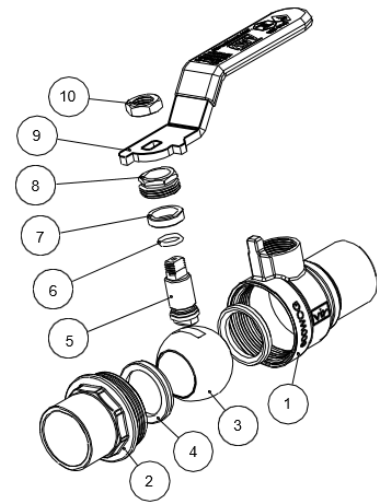
Lead Free Brass Ball Valve, Solder

Product Specifications

✓ To Submit	Part #	Size
	ML5595AB-1/2	1/2"
	ML5595AB-3/4	3/4"
	ML5595AB-1	1"
	ML5595AB-1 1/4	1-1/4"
	ML5595AB-1 1/2	1-1/2"
	ML5595AB-2	2"
	ML5595AB-2 1/2	2-1/2"
	ML5595AB-3	3"

Product Features:

- 150# WSP / 600# WOG
- Lead Free Brass Body
- Full Port
- Adjustable Packing
- Solder x Solder
- Solder ends (ASME B16.22)
- Blow-Out Proof Stem
- AB1953, NSF-61 & NSF-372 Certified

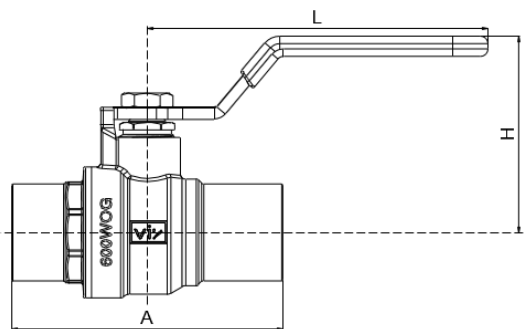


Materials & Specifications:

Item	Description	Material	Specification
1	Body	Lead Free Brass	C28000
2	End Piece	Lead Free Brass	C28000
3	Ball	Lead Free Brass / Cr Plated	C28000
4	Seat	PTFE	PTFE
5	Stem	Lead Free Brass	C28000
6	O-ring	FKM	NSF Approved
7	Packing	PTFE	PTFE
8	Packing Nut	Brass	B124 C37700
9	Handle	Steel / Dc Plated	A36 Dacromet
10	Handle Nut	Steel / Zn Plated	A36

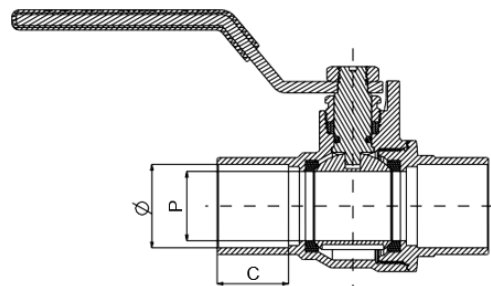
Dimensions (inches), Weights (lbs.), & Valve Data:

Size		A [in]	C [in]	H [in]	L [in]	P [in]	Cv	Wt. [lb]
1/2"	0.627-0.631	2.20	0.51	1.93	3.58	0.50	11	0.38
3/4"	0.877-0.881	2.87	0.75	2.07	3.58	0.73	26	0.52
1"	1.128-1.131	3.43	0.91	2.36	4.96	0.95	55	0.90
1 1/4"	1.378-1.381	3.82	0.98	2.60	4.96	1.22	103	1.20
1 1/2"	1.628-1.632	4.25	1.09	2.87	5.55	1.46	111	1.74
2"	2.128-2.132	5.31	1.34	3.25	5.55	1.95	353	2.84
2 1/2"	2.628-2.632	6.34	1.50	4.17	9.91	2.44	409	5.46
3"	3.128-3.132	7.72	1.69	5.13	11.06	2.91	530	8.50



Connection Working Pressure:

Solder used in joints	Working Temp °F	Maximum working pressure (PSI)		
		3/8" - 1"	1-1/4" - 2"	2-1/2" - 4"
95-5 Tin	100	500	400	300
Antimony	150	400	350	275
(ASTM B32 grade 95TA)	200	300	250	200
	250	200	175	150



Pressure/Temperature Ratings	
600 PSI from 15°F to 160°F	150 PSI Max at 366°F

Warranty

See warranty information for more details.

All dimensions listed are nominal. MAINLINE® reserves the right to make product and material changes at any time without notice.



Contact your sales representative for more information or visit our website at mainlinecollection.com