



Lead Free* Brass Ball Valve, Pex End

Product Specifications

✓ To Submit	Part #	Size
	ML5009AB-1/2	1/2"
	ML5009AB-3/4	3/4"
	ML5009AB-1	1"

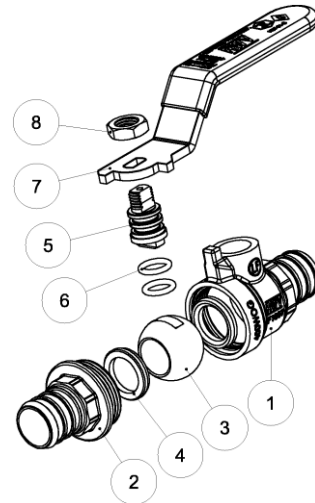
Product Features:

- 400# WOG
- Regular Port
- Virgin PTFE Seats
- For Use with PEX Tubing
- Barb x Barb
- Blow-Out Proof Stem
- Double NBR O-ring Packing
- CSA B125.3
- ASTM F1807
- AB1953, NSF61-G & NSF-372 Certified



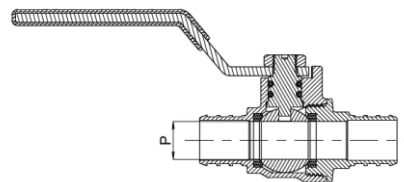
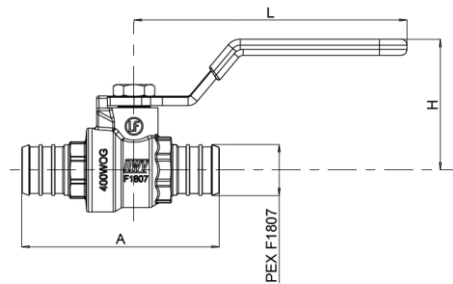
Materials & Specifications:

Item	Description	Material	Specification
1	Body	Low Lead Brass	UNS C27453
2	End Piece	Low Lead Brass	UNS C27453
3	Ball	Low Lead Brass / Cr Plated	UNS C27453
4	Seat	PTFE	PTFE
5	Stem	Low Lead Brass	UNS C27453
6	O-ring	NBR	NBR
7	Handle	Steel / De Plated	ASTMA36
8	Nut	Steel / Zn Plated	ASTMA36



Dimensions (inches), Weights (lbs.), & Valve Data:

Size	1/2"	3/4"	1"
A	2.31	2.6	3.15
H	1.36	1.72	1.85
L	3.2	3.59	3.59
P	0.39	0.5	0.71
Wt	0.28	0.41	0.6



Pressure/Temperature Ratings	
300 psi from 15°F to 160°F	150 psi max at 200°F

Warranty

See warranty information for more details.

All dimensions listed are nominal. MAINLINE® reserves the right to make product and material changes at any time without notice.



Contact your sales representative for more information or visit our website at mainlinecollection.com