

25" x 22" Top Mount Single Bowl Kitchen Sink



Product Specifications

PRODUCT FEATURES

- 22 Gauge
- 304 Series Stainless Steel
- Satin Finish
- Sound Absorption Pads

MATERIALS & SPECIFICATIONS

Installation Type:	Top Mount
Material:	304 Series Stainless Steel
Finish:	Satin
Gauge:	22
Sound Deadening:	Bottom Only Pads
Number of Bowls:	1
Sink Dimensions:	25" x 22" x 5-3/8"
Bowl Dimensions:	21" x 15-1/2" x 5-3/8"
Drain Size:	3-1/2" (88.9mm)
Drain Location:	Center
Minimum Cabinet Size:	30"
Mounting Hardware:	Included for countertops up to 3/4" (19mm) thick
Cutout Template #:	Included inside box



MLTS252254 shown

✓ To Submit	Part No.	Description
	MLTS252254	Four Hole
	MLTS252253	Three Hole

This sink is compliant to ADA and ANSI/ICC A117.1 accessibility requirements when installed according to the requirements outlined in these standards.

Sinks are listed by IAPMO® as meeting the applicable requirements of the Uniform Plumbing Code®, International Plumbing Code®, and National Plumbing Code of Canada.

Warranty: See warranty information for more detail.

For cutout measurement: See cutout template in sink box.

All dimensions listed are nominal. Mainline® reserves the right to make product and material changes at any time without notice.



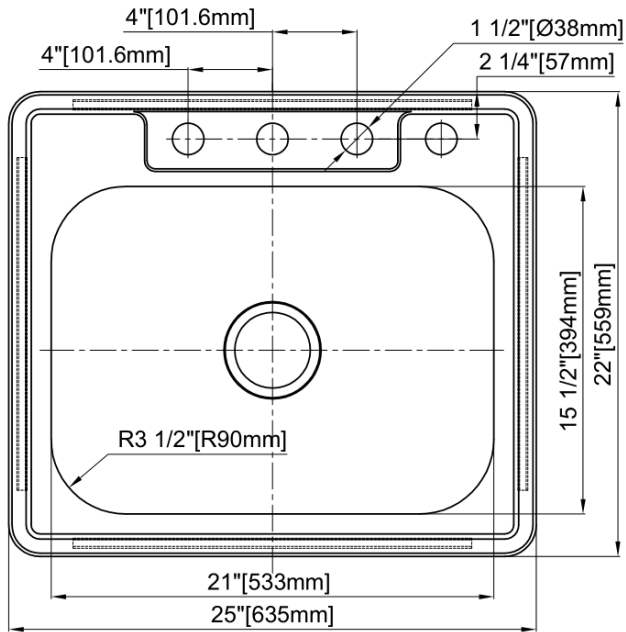
Contact your sales representative for more information or visit our website at mainlinecollection.com

25" x 22" Top Mount Single Bowl Kitchen Sink

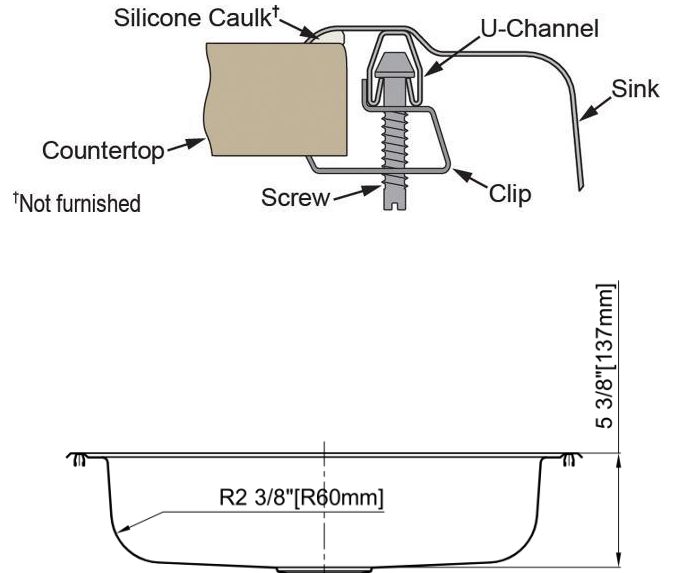
Product Specifications



Dimensions:



Installation Profile:

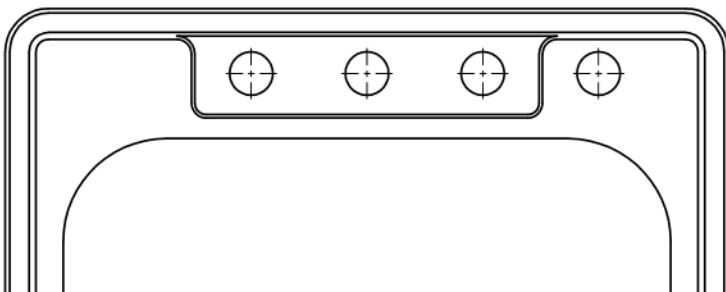


CUT OUT DIMENSIONS FOR TOP MOUNT INSTALLATION

- 24-3/8" X 21-3/8" with 1-3/16" corner radius

HOLE DRILLING CONFIGURATION

- 1-1/2" (38mm) diameter faucet holes for 3 or 4 hole models
- Faucet holes on 4" (101.6mm) centers



Contact your sales representative for more information or visit our website at mainlinecollection.com