

Hilliard™ Technical Specification

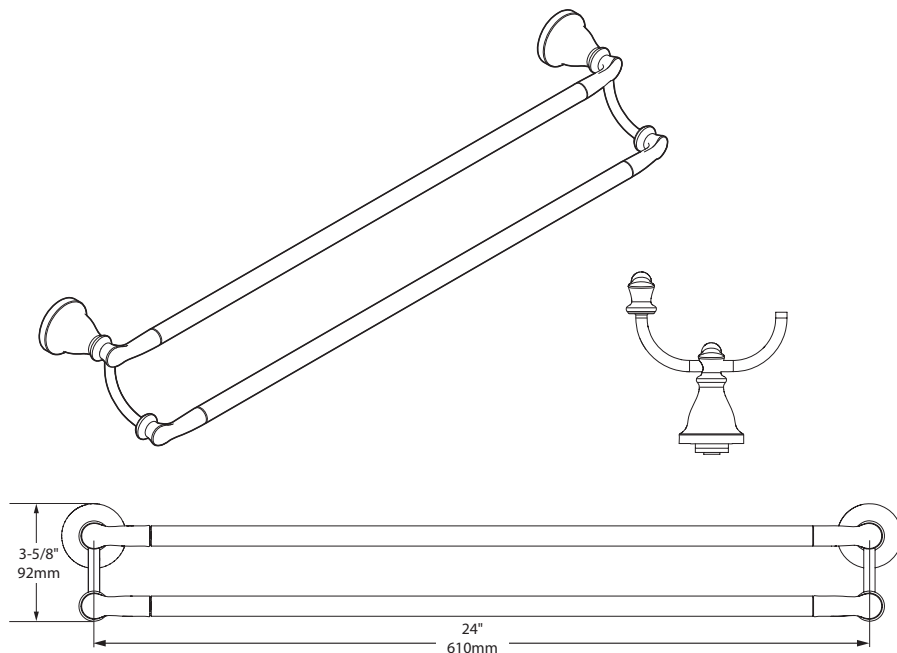
Double Towel Bar

MY2722

Stock Numbers:

- **MY2722PB – Double Towel Bar**
Polished Brass Finish
Concealed Screw Mounting
- **MY2722CH – Double Towel Bar**
Polished Chrome Finish
Concealed Screw Mounting
- **MY2722MPW – Double Towel Bar**
Matte Pewter Finish
Concealed Screw Mounting
- **MY2722BN – Double Towel Bar**
Brushed Nickel Finish
Concealed Screw Mounting
- **MY2722OWB – Double Towel Bar**
Old World Bronze Nickel
Concealed Screw Mounting

Dimensions:



Materials:

Double Towel Bar post is die cast from highest quality zinc alloy (zamac). Castings are triple plated with a polished brass, polished chrome, or matte pewter finish.

Installation Instructions:

1. Position the mounting plate on the wall at desired location with "UP" facing you.
2. One at a time, place each anchor screw through the mounting plate, centered in each large hole. Using a Phillips screwdriver, turn the anchor screw while applying pressure. Screw will self drill and tap into drywall. Do not over tighten.
3. Place assembly over the mounting post, setscrew facing down.
4. Tighten setscrew.

Cleaning Instructions:

To preserve the fine finish of this product, clean only with a soft damp cloth. Dry well. Do not use commercial or abrasive cleaners.

Stock Number: _____ Double Towel Bar
By Moen Incorporated

 **MOEN**
Buy it for looks. Buy it for life.®

25300 AL MOEN DRIVE • NORTH OLMSTED, OH 44070
CORPORATE HEADQUARTERS: (800) 321-8809 • FAX: (800) 848-6636
INTERNATIONAL: (440) 962-2000 • FAX: (440) 962-2726
CUSTOMER SERVICE (USA): 800-882-0116 • FAX: (888) 379-2720
WWW.MOEN.COM

© 2017 Moen Incorporated. Moen is a registered trademark and Lindor is a trademark of Moen Incorporated. All rights reserved.