

MBTRFS6636

66" x 35.75" x 22.625"

GENERAL SPECIFICATIONS:

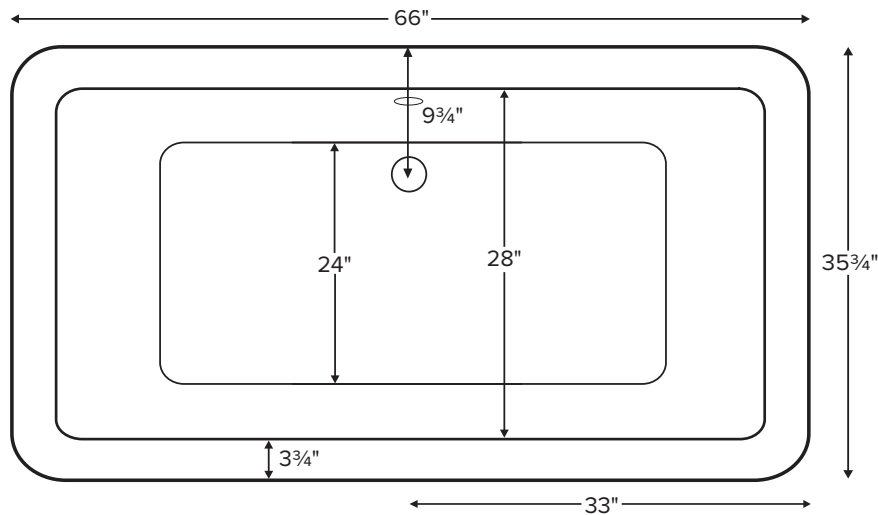
Installation: Freestanding

Material: Acrylic

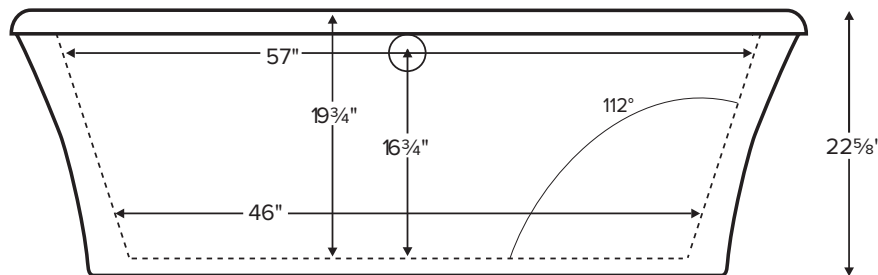
Soaker Weight: 121 lbs / 55 kg

Maximum Fill: 87 gal to overflow

NOTE: Filling this tub to the maximum may require an above average size or dedicated water heater.



Requires use of a wall-mounted or freestanding tub filler. The drain and overflow assembly is concealed between the walls of the tub, eliminating the need for an exposed drain kit.



IMPORTANT ORDERING & INSTALLATION INFORMATION:

- This tub model includes an access panel as a standard feature for drain, optional Virtual Spout, and on select models, valve set installation.
- Access panel is visibly located behind the waste and overflow. Please consider access panel visibility before ordering and when planning final installation position.
- Access panel dimensions vary according to tub model and design. Tubs featuring an integrated faucet deck for valve installation will have a larger opening and panel size for easier installation.
- Access panel can be eliminated by request at the time of ordering, which will increase installation difficulty.
- The Virtual Spout is installed below the water level of the tub. MTI supplies a Wilkins dual check valve and an Acme in-wall atmospheric vent to prevent backsiphonage. However, some areas of the country require additional backflow prevention when water is introduced to the bath below the water level. Please check local codes.
- Options listed cannot be combined with Designer Collection options.



• Before discarding tub crate, check for accessories that may be packaged inside.
 • All product measurements are ±1/2".
 • Specifications and configurations are subject to change without notice.
 • Measurements herein supersede all others published prior to publication date below.



PACKAGE	PACKAGE CONTENTS	PART #
Soaker	Soaking bath - No jets. Includes pre-leveled foam base.	MBSTRFS6636
Soaker With Virtual Spout	Soaking bath - No jets. Includes Virtual Spout integrated high-flow tub filler (see important ordering information), pre-leveled foam base.	MBSTRFS6636VS

OPTIONS (Must be ordered at time of purchase)
Standard White (no charge) Color Upgrade: Biscuit (MTISCOLOR)
Quick Ship / Priority Soaker (QSHIPMTIS)

ACCESSORIES
Lift and Turn Drain & Overflow Chrome (MBWOC) Brushed Nickel (MBWOBN) White (MBWOW)
Pillows Soft Pillow White (MBPSW) Black (MBPSB) Roll-Up Pillow Light Aqua (MBPRUC) Black (MBRUB)



Inside view of tub.