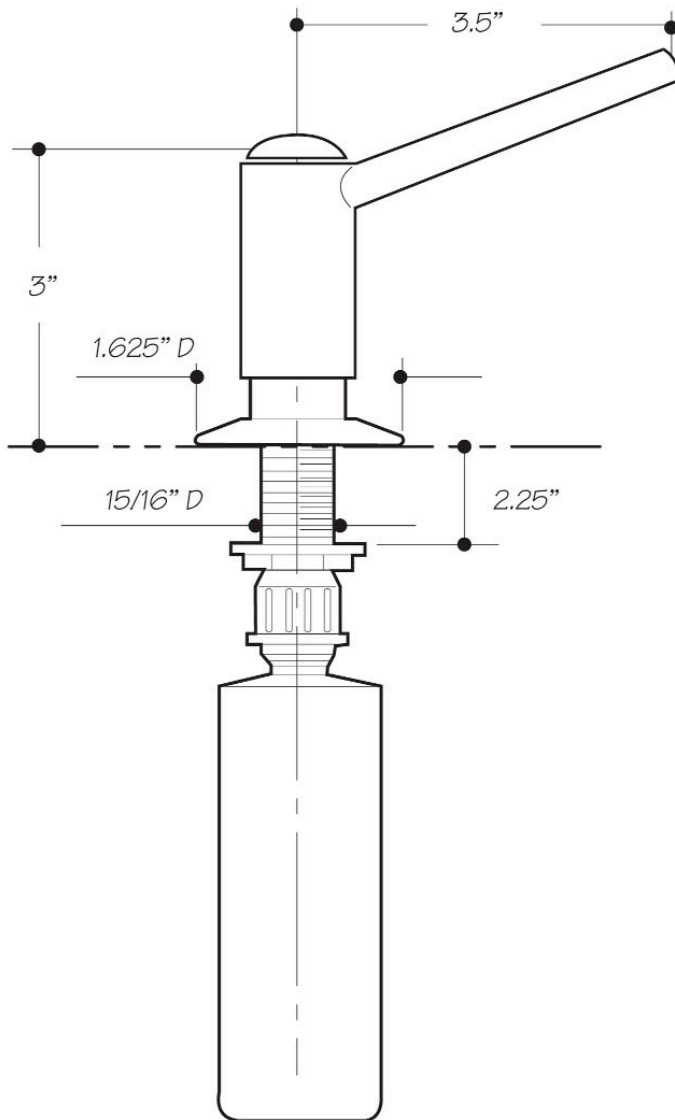


INSTALLATION DIMENSIONS

This model offers you the following features & benefits:

- Teflon® Lined Spout
- 16 oz reservoir for liquid
- Easy above counter top fill
- Contemporary styling
- Available in 18 finishes
 - PW - Polar White
 - IW - Ice White
 - KA - K-Almond
 - BT - Biscuit
 - CPB - Polished Chrome
 - SC - Satin Chrome
 - PN - Polished Nickel
 - BRN - Brushed Nickel
 - AB - Antique Brass
 - PVD - Polished Brass
 - WB - Weathered Brass
 - WCP - Weathered Copper
 - ACP - Antique Copper
 - PCP - Polished Copper
 - ORB - Oil Rubbed Bronze
 - PVDBB - PVD Brushed Bronze
 - VB - Venetian Bronze*
 - PRN - Pearl Nickel



Manimum hole = 1-1/8"
Maximum hole = 1-3/8"

Warranty

*ALL MOUNTAIN PRODUCTS CARRY A 1 YEAR WARRANTY ON ALL WORKING PARTS.(except disposers)

*MOST SPECIAL FINISHES HAVE A 1 YEAR WARRANTY IF INSTRUCTIONS ARE FOLLOWED PROPERLY. ORB, EB, MHB, WCP, AND TB HAVE A 90 DAY WARRANTY IF INSTRUCTIONS ARE FOLLOWED PROPERLY.

*ALL PVD FINISHES COME WITH A LIFETIME WARRANTY IF INSTRUCTIONS ARE FOLLOWED PROPERLY

*ALL XENYO COLORED PRODUCTS HAVE A LIFETIME WARRANTY

*USE OF PLUMBERS PUTTY ON PRODUCTS VOIDS WARRANTY