

MT22 & MT22-16

MOUNTAIN RE-VIVE™ ROUND WALL RAIN ARM WITH 90° BEND

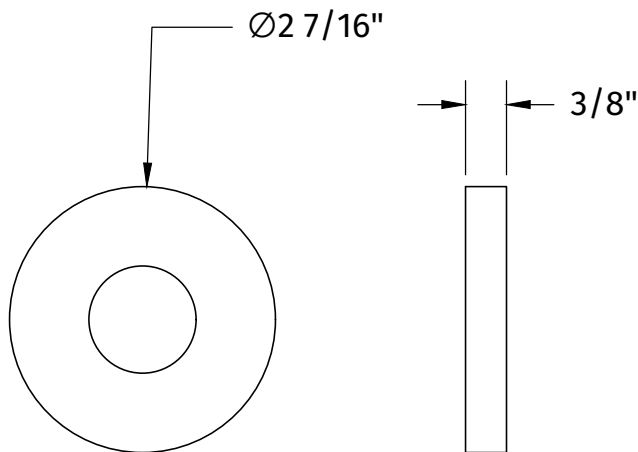
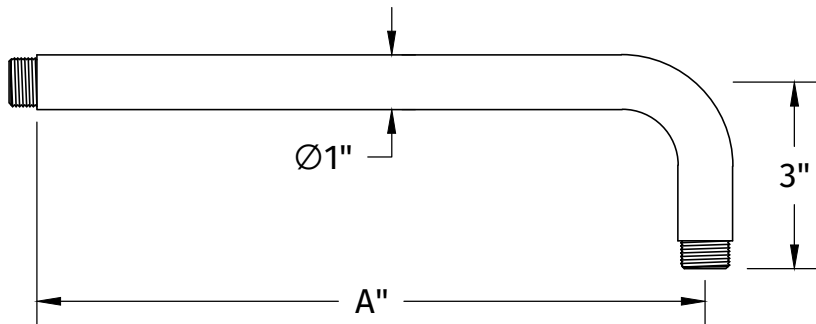


A McAlpine Company

Mountain

Plumbing Products

SPECIFICATION SHEET



- SOLID BRASS CONSTRUCTION
- INCLUDES DECORATIVE BRASS ESCUTCHEON
- 1/2 NPT
- (MT22 SHOWN)

MODEL NUMBER

DIM A

- | | |
|------------|-----|
| • MT22: | 12" |
| • MT22-16: | 16" |

WARRANTY

FOR WARRANTY INFO PLEASE VISIT WWW.MOUNTAINPLUMBING.COM/PAGE/RESOURCES/WARRANTY

FINISH CARE & MAINTENANCE

NEVER USE ANY HARSH ALKALI, ACID BASED DETERGENTS OR CLEANERS SUCH AS SOFT SCRUB®, SCRUBBING BUBBLES® OR COMET® TO CLEAN. DO NOT USE BRILLO® AND SCOTCH BRITE® PADS. THESE WILL ALL HARM THE FINISH. TO CLEAN, USE ONLY A DAMP SOFT CLOTH AND WIPE USING A SOFT CLOTH. STANDARD WINDEX® CAN ALSO BE USED SPARINGLY. IT IS NOT NECESSARY TO WIPE HARD TO REMOVE SPOTS. TO MAINTAIN THE FINISH, WIPE WITH A SOFT DRY CLOTH AFTER USE. AN OCCASIONAL COAT OF PURE CARNAUBA WAX WITHOUT CLEANERS WILL HELP PROTECT THE FINISH.

SPECIFICATIONS SUBJECT TO CHANGE WITHOUT NOTICE