

Features

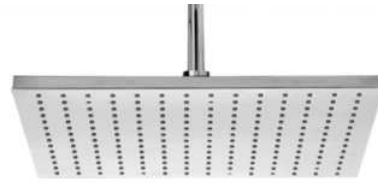
- Solid brass rough-in valve included.
- 12" rain shower head.
- 2-way concealed diverter (2 water outlets).
- Pressure balance cartridge.
- Ceramic disc technology.
- Sleek hand shower.
- Hand shower mounting bracket included.
- 1/2" NPT inlets and outlets (compatible with US plumbing connections)

Installation

- Ceiling mounted/ wall mounted installation.

Included Pieces


- Ceiling shower arm with flange. (Remer 347N30US-CR)
- 12" shower head. (Remer 359SSL-CR)
- 2-way shower diverter with rough-in valve. (Remer Z09US-CR)
- Hand shower. (Remer 317RR-CR)
- Flexible shower hose. (Remer 333CNX150-CR)
- Water connection. (Remer 309SUS-CR)
- Shower mounting bracket. (Remer 339S)



Nameek's One-Year Limited Warranty

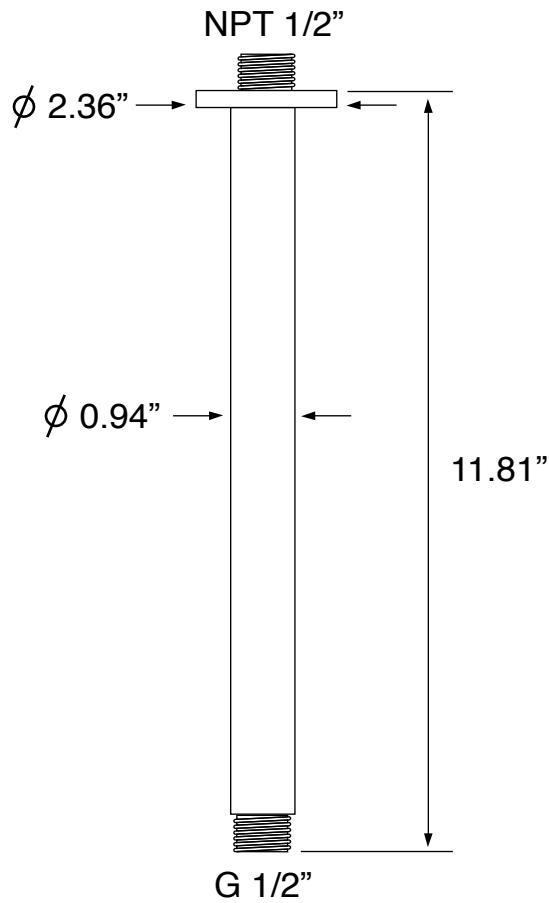
See website for warranty information details.

Color/Finish Details

Color	Code	Description
	CR	Polished Chrome

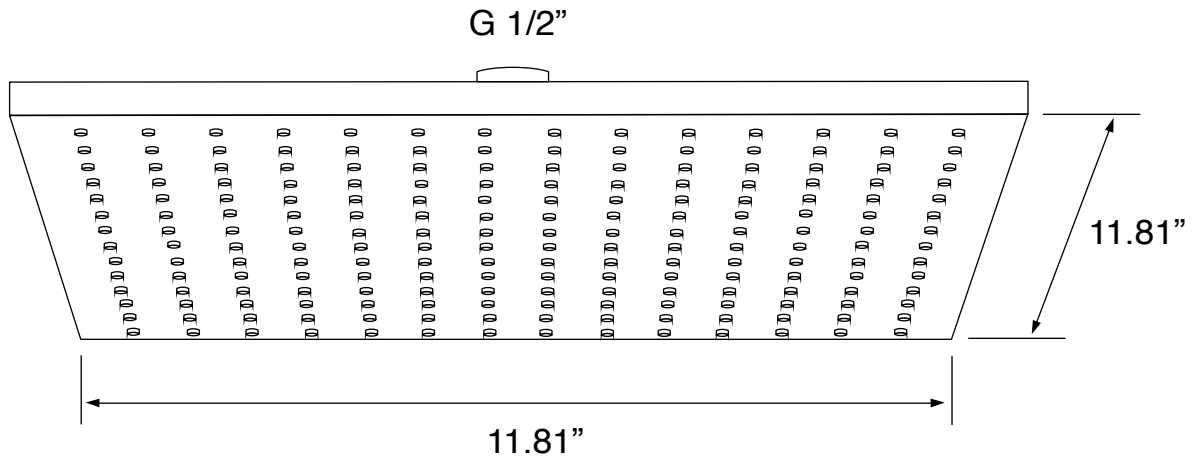
Shower Arm

Remer 347N30US-CR



Rain Shower Head

Remer 359SSL-CR

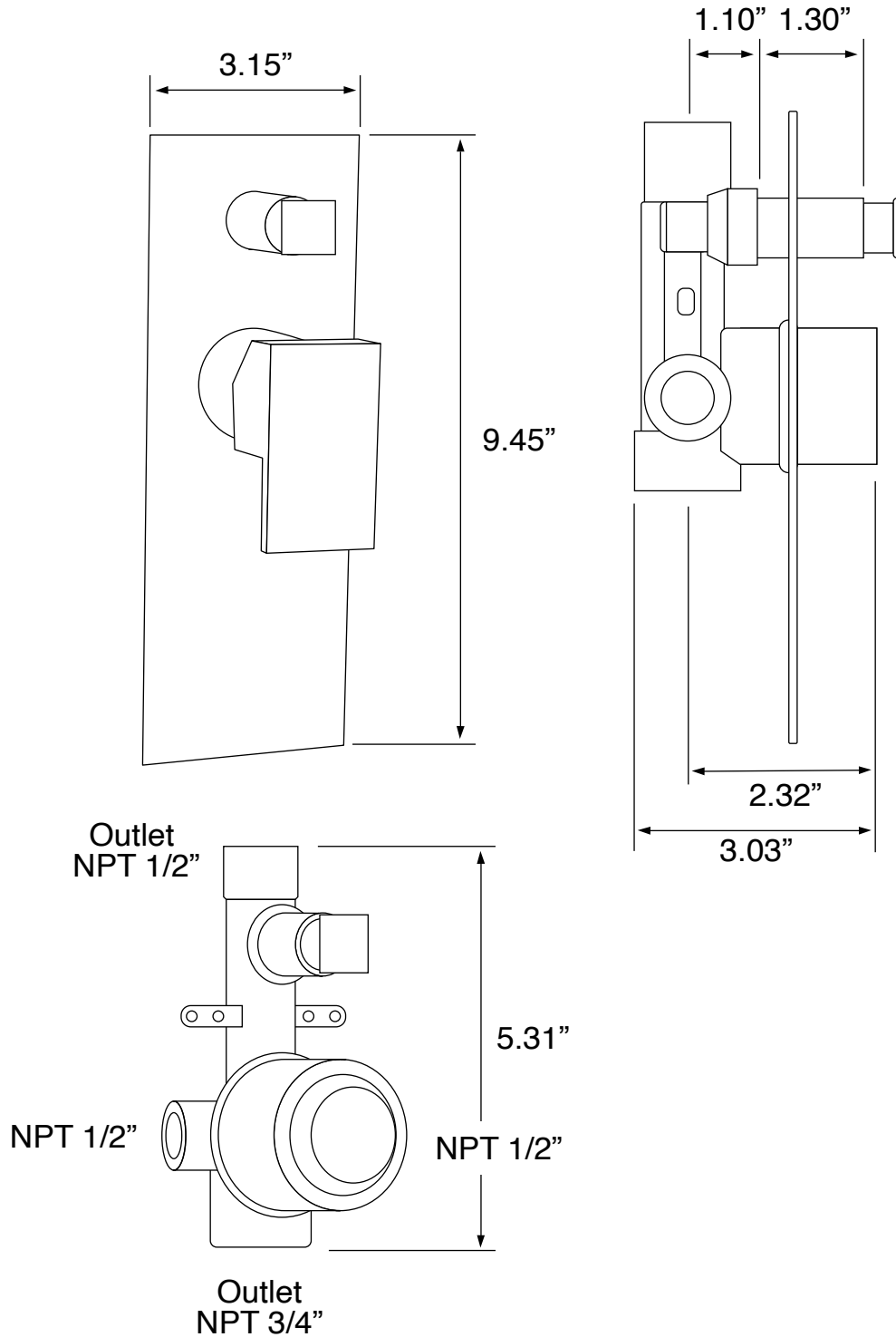


USA/Canada: 215.256.4197

Nameek's reserves the right to make revisions without notice to product specifications.
For more information, go to www.nameeks.com

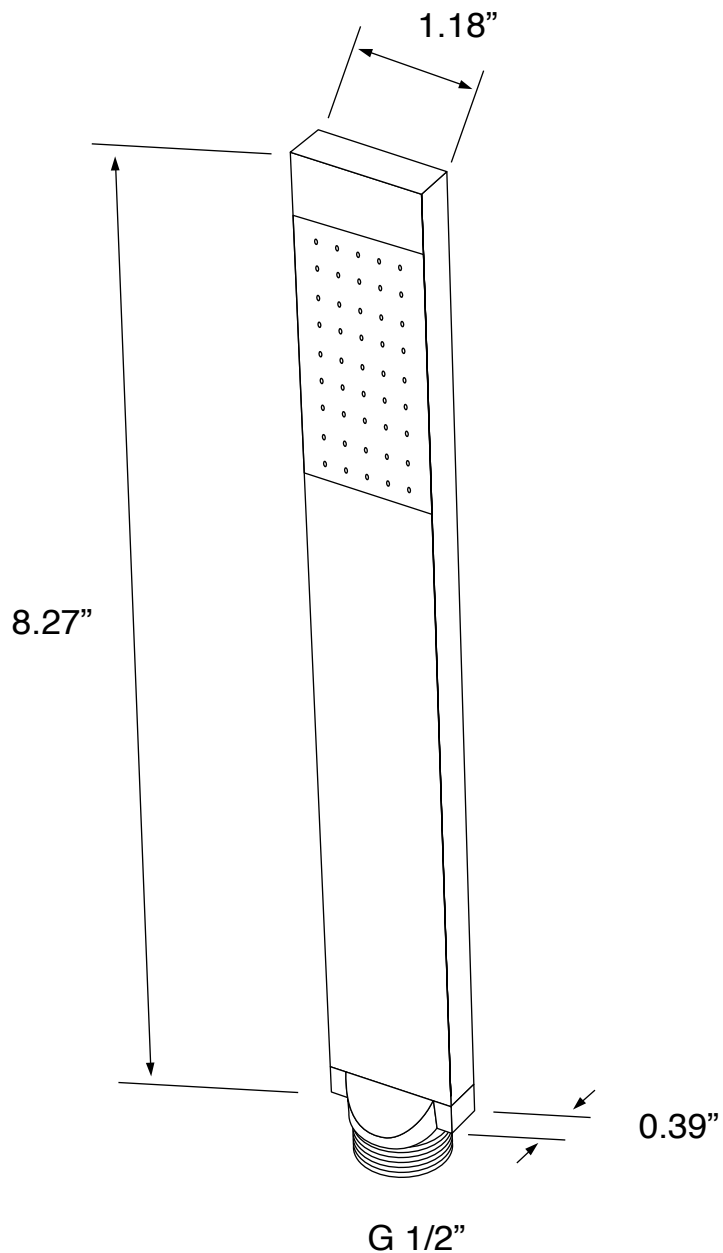
Shower Valve (Trim + Rough-in Valve)

Remer Z09US-CR



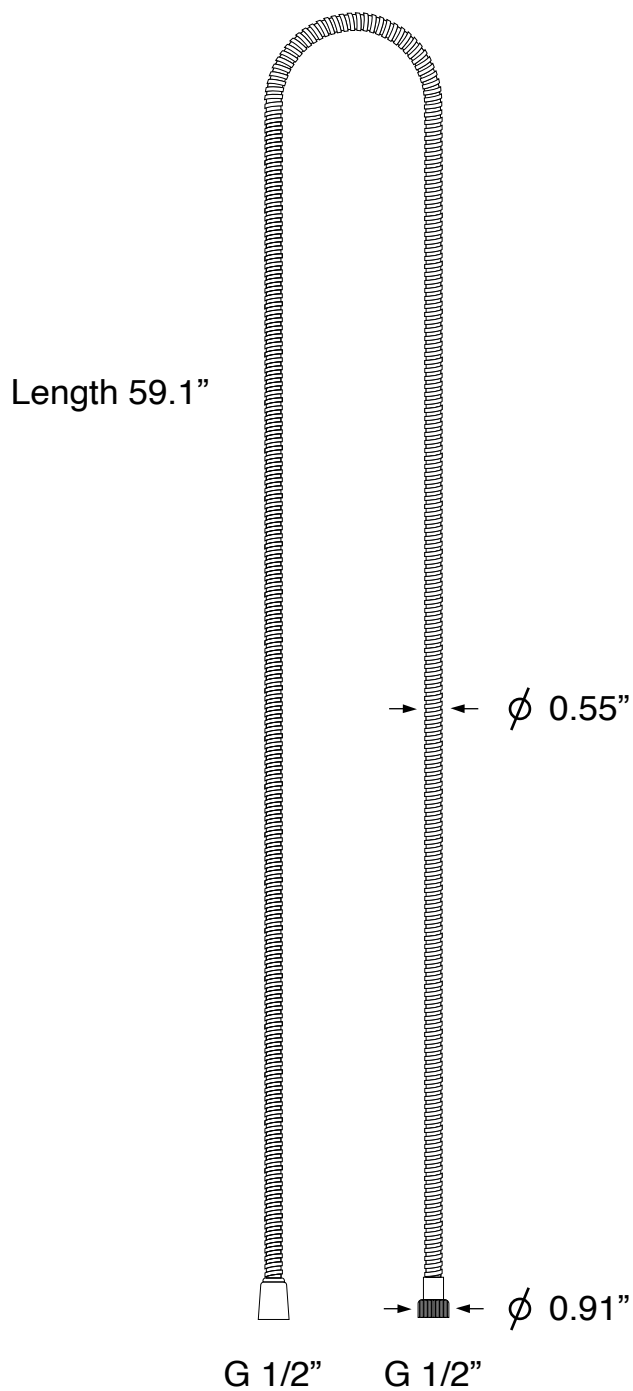
Hand Shower

Remer 317RR-CR



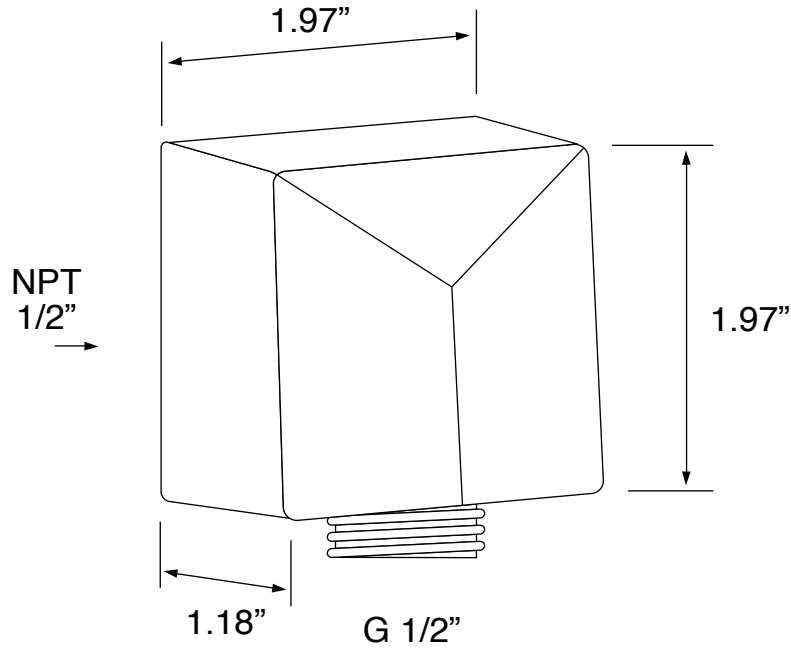
Shower Hose

Remer 333CNX150-CR



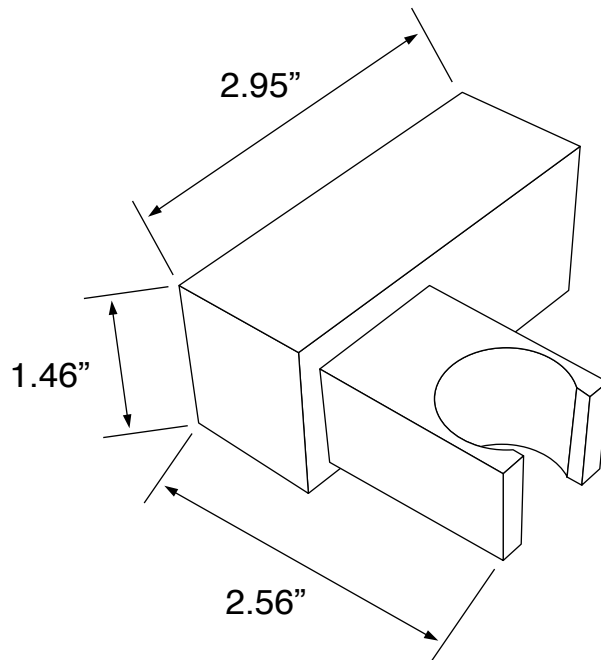
Water Connection

Remer 309SUS-CR



Shower Bracket

Remer 339S



Technical Information

Shower head size:	11.81"
Shower head type:	Rain
Pivoting shower head:	Yes
Shower arm length:	11.81"
Rough-in included:	Yes
Material:	Brass ABS
Cartridge type:	Pressure balance Ceramic disc technology
Hand shower functions:	Wide

Notes

This item is recommended to be installed by a licensed plumber or professional only. Please ensure to observe all local and building code requirements. Shut off water supply prior to installation.

Includes mounting hardware.