

## Features

- Solid brass rough-in valve included.
- 9" rain shower head.
- 2-way concealed diverter (2 water outlets).
- Pressure balance cartridge.
- Ceramic disc technology.
- Sleek hand shower.
- Hand shower mounting bracket included.
- 1/2" NPT inlets and outlets (compatible with US plumbing connections)



## Installation

- Wall mounted installation.


## Included Pieces

- Shower arm with flange. (Remer 342US-CR)
- 9" shower head. (Remer 356S)
- 2-way shower diverter with rough-in valve. (Remer Q09US-CR)
- Hand shower. (Remer 317SQ)
- Flexible shower hose. (Remer 333CNX150-CR)
- Water connection. (Remer 309SUS-CR)
- Shower mounting bracket. (Remer 339S)

## Nameek's One-Year Limited Warranty

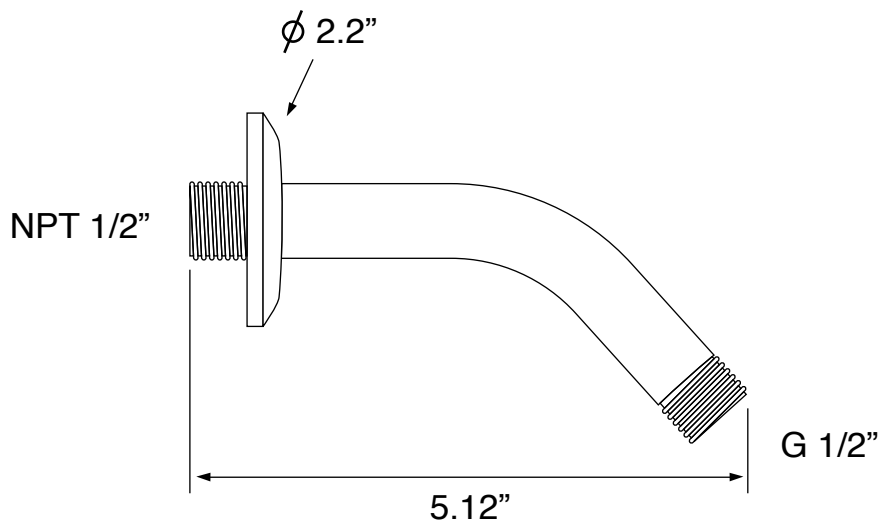
See website for warranty information details.

## Color/Finish Details

Color	Code	Description
	CR	Polished Chrome

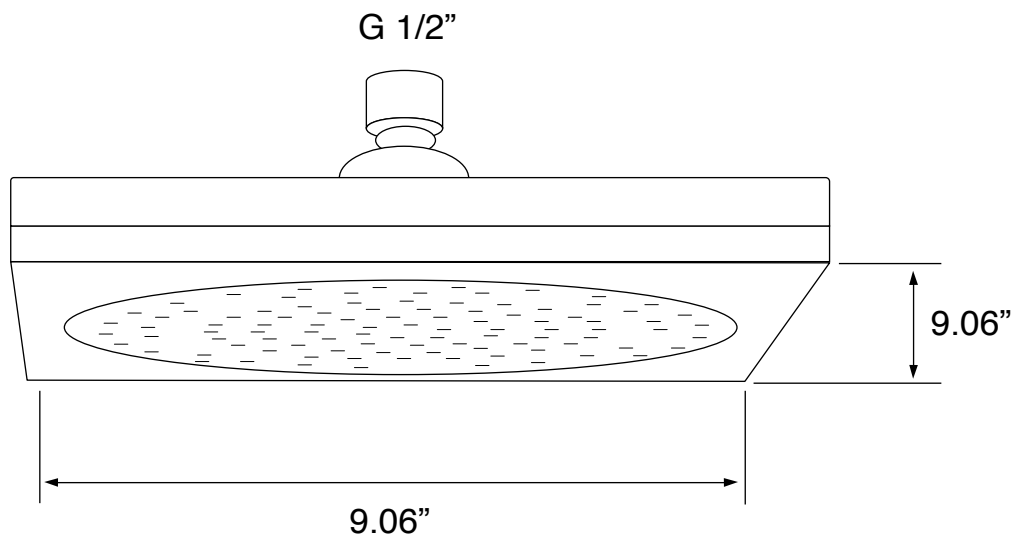
## Shower Arm

Remer 342US-CR



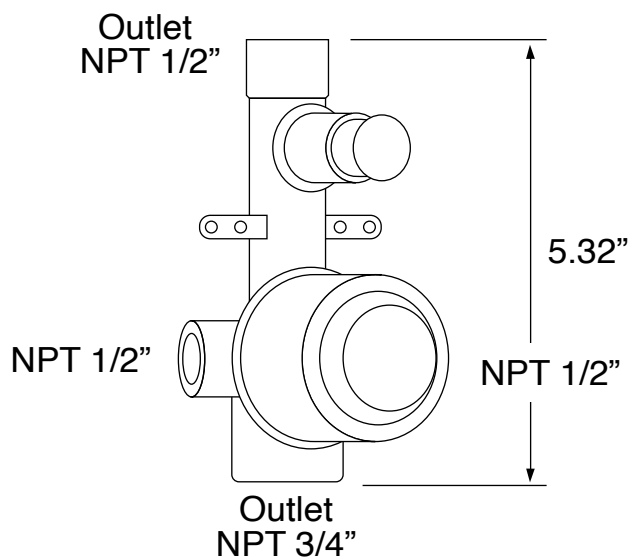
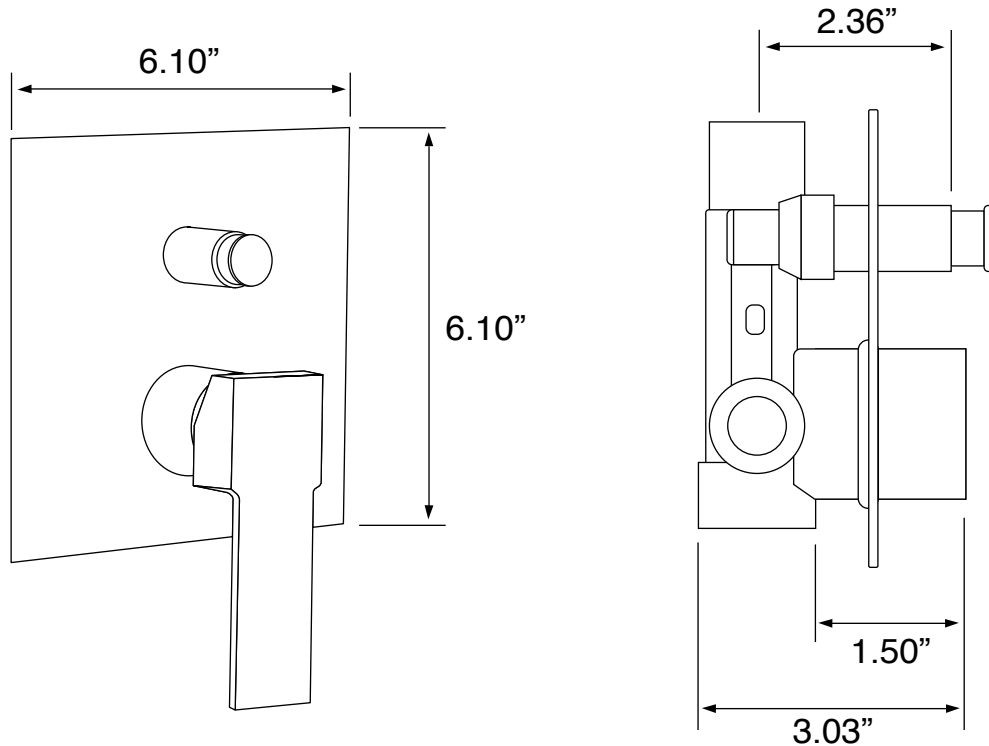
## Rain Shower Head

Remer 356S



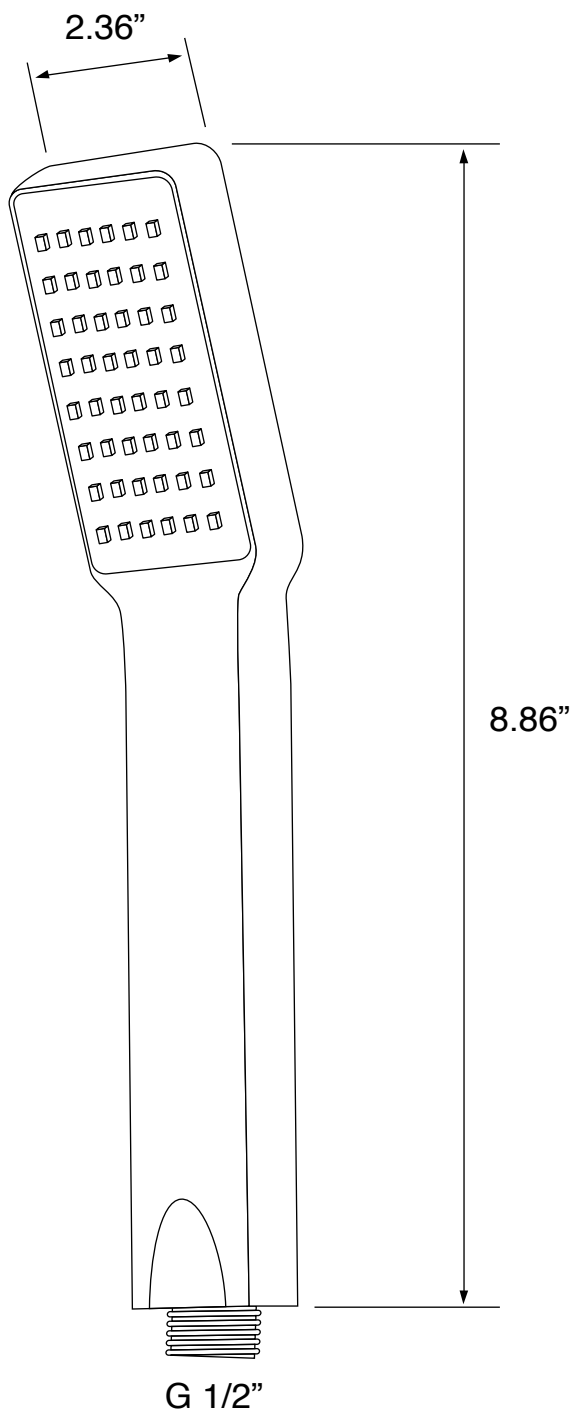
## Shower Valve (Trim + Rough-in Valve)

Remer Q09US-CR



## Hand Shower

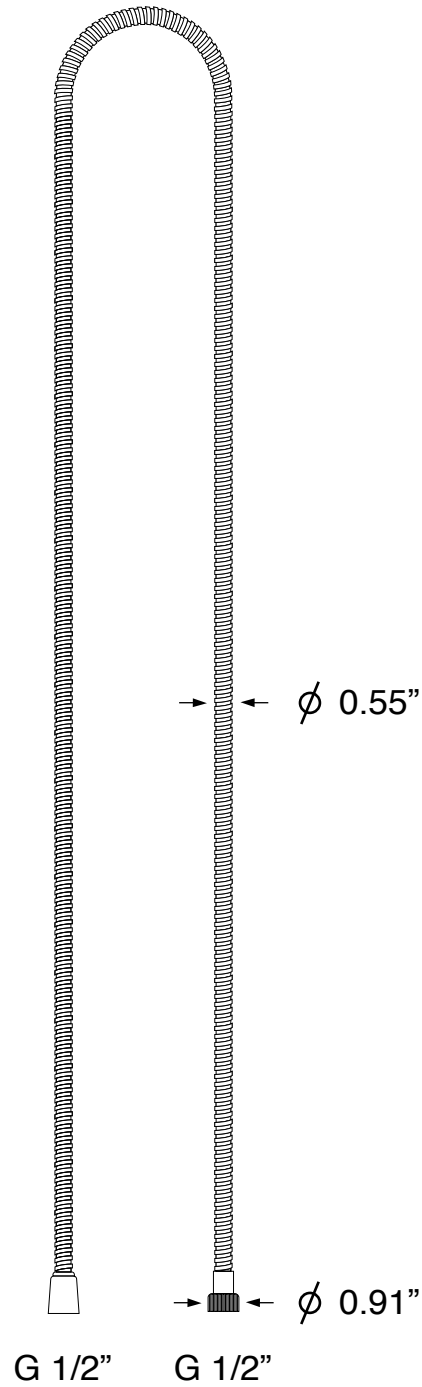
Remer 317SQ



## Shower Hose

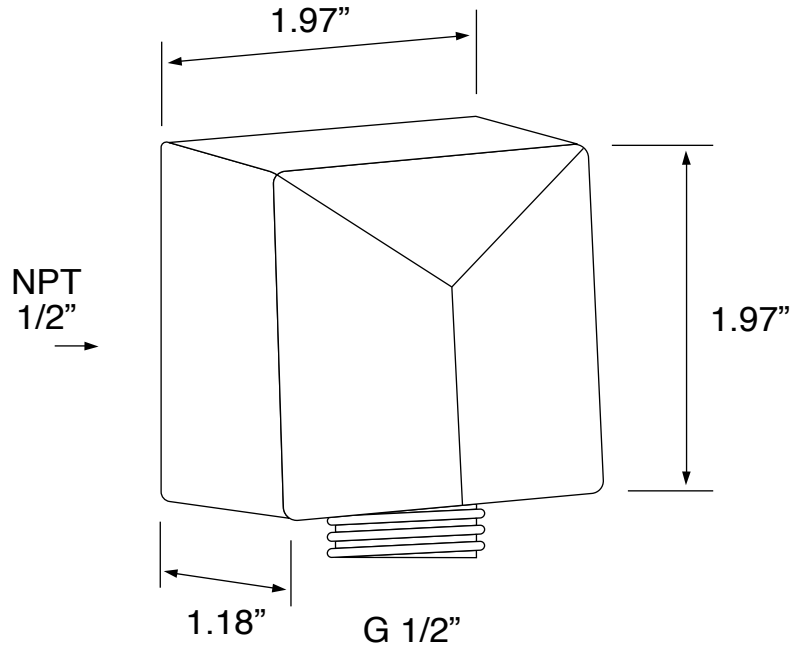
Remer 333CNX150-CR

Length 59.1"



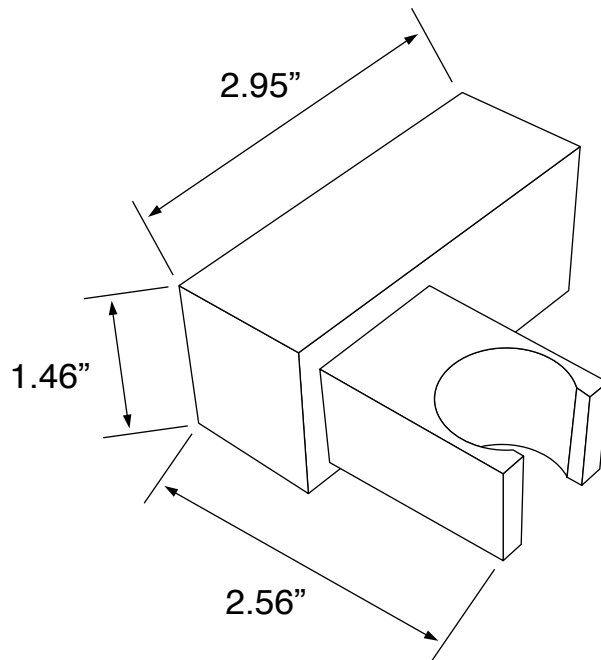
## Water Connection

Remer 309SUS-CR



## Shower Bracket

Remer 339S



## Technical Information

Shower head size:	9.06"
Shower head type:	Rain
Pivoting shower head:	Yes
Shower arm length:	5.12"
Rough-in included:	Yes
Material:	Brass ABS
Cartridge type:	Pressure balance Ceramic disc technology
Hand shower functions:	Wide

## Notes

This item is recommended to be installed by a licensed plumber or professional only. Please ensure to observe all local and building code requirements. Shut off water supply prior to installation.

Includes mounting hardware.