

## Features

- Solid brass rough-in valve included.
- 10" rain shower head.
- 3-way concealed diverter (3 water outlets).
- Thermostatic cartridge.
- Ceramic disc technology.
- Sleek hand shower.
- Tub spout included.
- Hand shower mounting bracket included.
- 1/2" NPT inlets and outlets (compatible with US plumbing connections)



## Installation

- Wall mounted installation.


## Included Pieces

- 12" shower arm with flange. (Remer 348S30US-CR)
- 10" rain shower head. (Remer 359W-CR)
- 3-way shower diverter with rough-in valve. (Remer QT93US-CR)
- Hand shower. (Remer 317SS-CR)
- Flexible shower hose. (Remer 333CNX150-CR)
- Water connection. (Remer 309SUS-CR)
- Shower bracket. (Remer 339S)
- Tub spout. (Remer 91Q-CR)

## Nameek's One-Year Limited Warranty

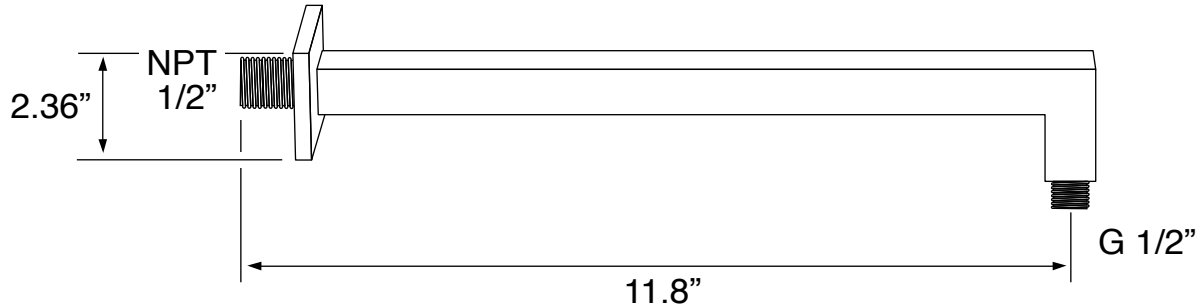
See website for warranty information details.

## Color/Finish Details

| Color   | Code | Description     |
|---|------|-----------------|
|  | CR   | Polished Chrome |

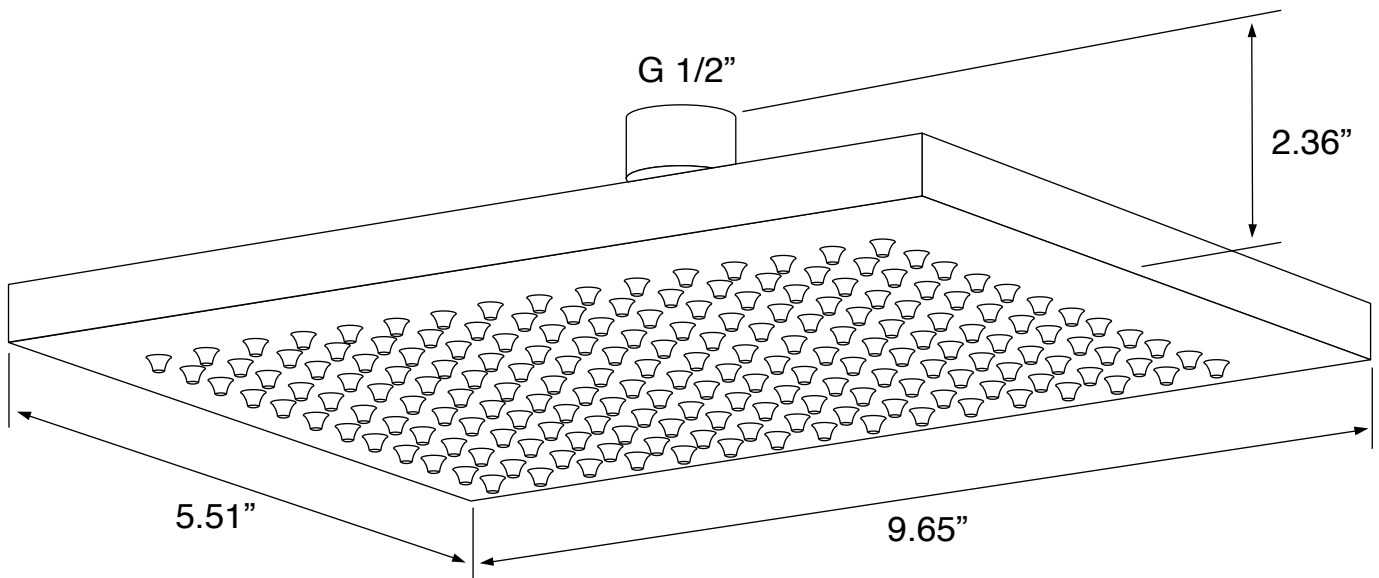
## Shower Arm

Remer 348S30US-CR



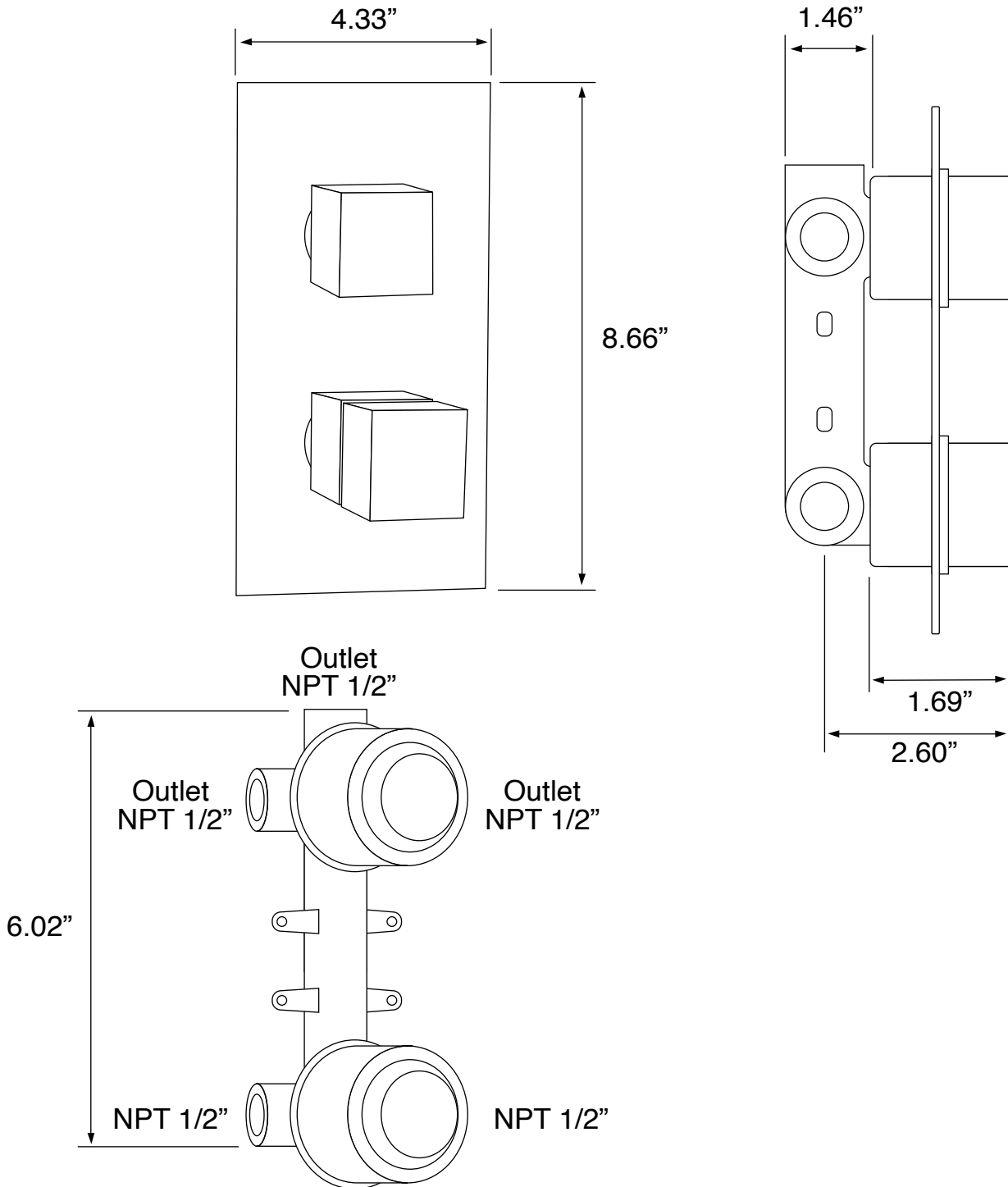
## Rain Shower Head

Remer 359W-CR



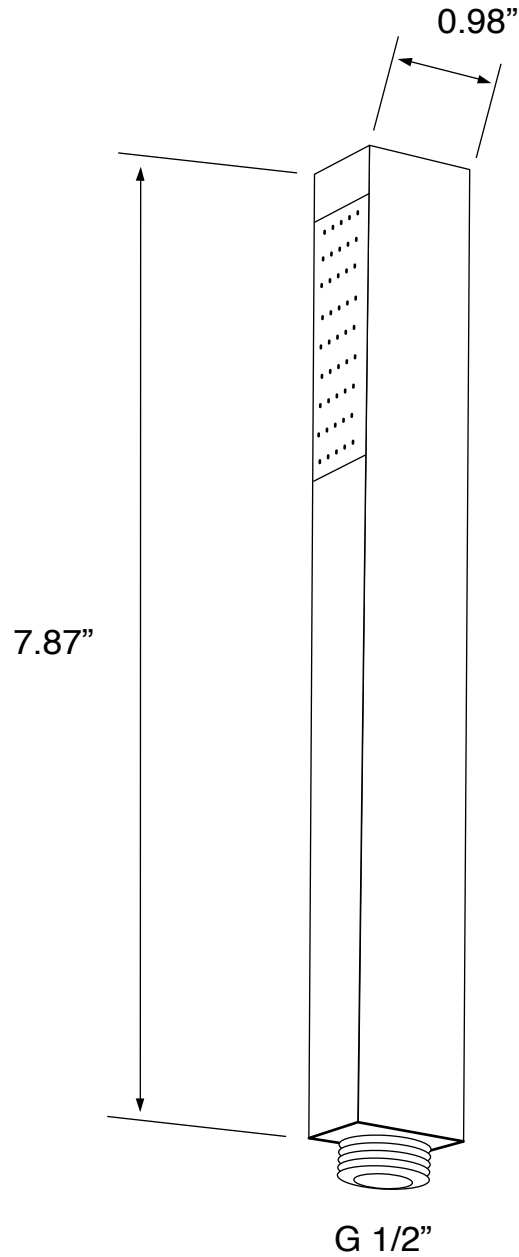
## Shower Valve (Trim + Rough-in Valve)

Remer QT93US-CR



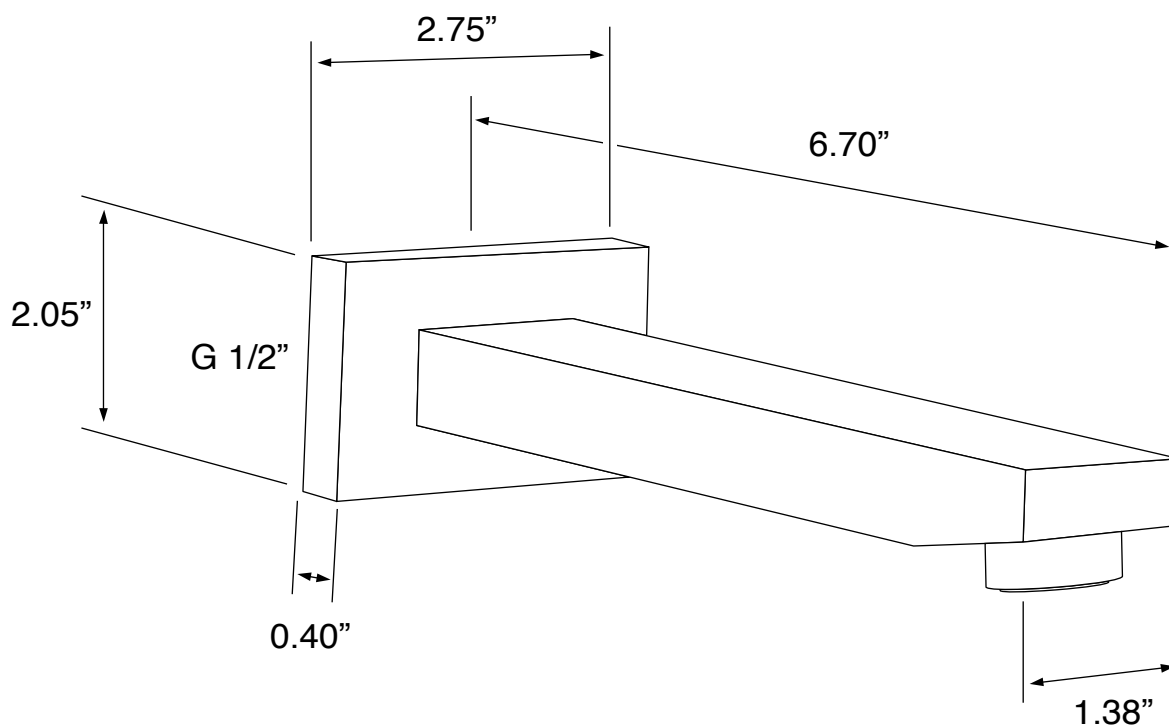
## Hand Shower

Remer 317SS-CR



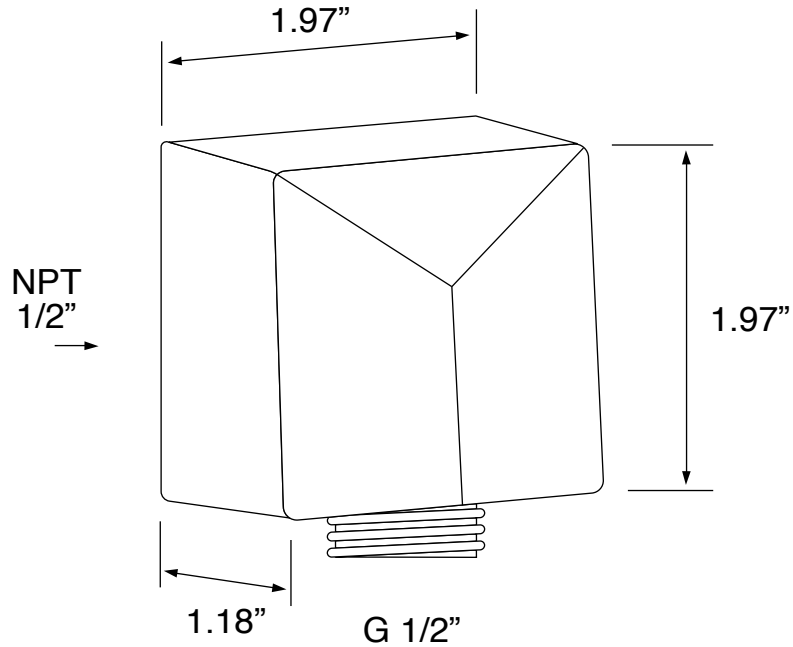
## Tub Spout

Remer 91QUS-CR



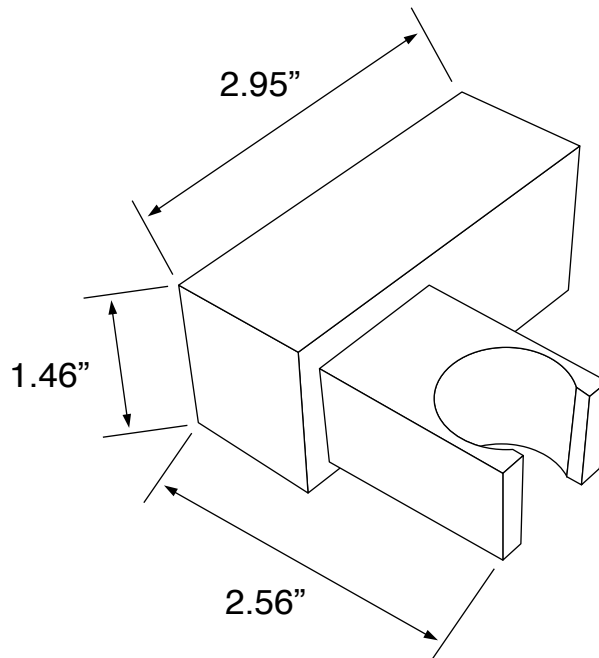
## Water Connection

Remer 309SUS-CR



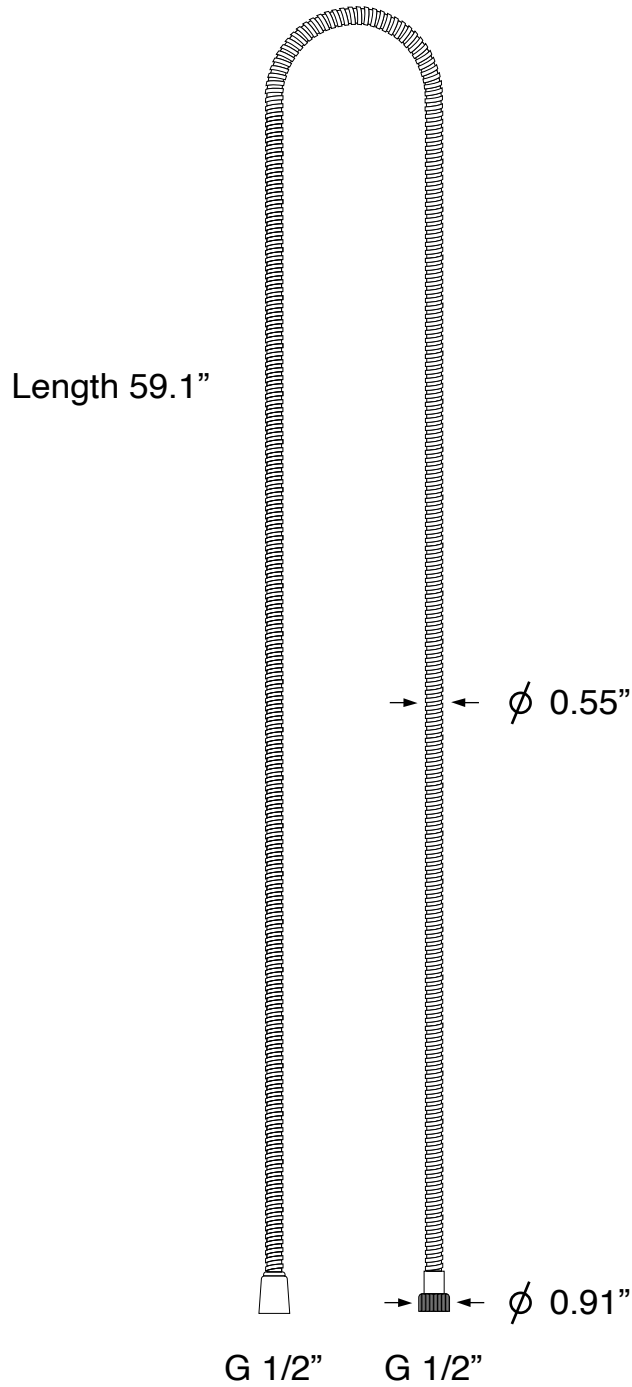
## Shower Bracket

Remer 339S



## Shower Hose

Remer 333CNX150-CR



## Technical Information

|                        |   |
|------------------------|---|
| Shower head size:      | 9.65"                                   |
| Shower head type:      | Rain                                    |
| Pivoting shower head:  | Yes                                     |
| Shower arm length:     | 11.8"                                   |
| Rough-in included:     | Yes                                     |
| Material:              | Brass<br>ABS                            |
| Cartridge type:        | Thermostatic<br>Ceramic disc technology |
| Hand shower functions: | Wide                                    |

## Notes

This item is recommended to be installed by a licensed plumber or professional only. Please ensure to observe all local and building code requirements. Shut off water supply prior to installation.

Includes mounting hardware.