

## Features

- Solid brass rough-in valve included.
- 8" rain shower head.
- 3-way concealed diverter (3 water outlets).
- Thermostatic cartridge.
- Cermaic disc technology.
- Sleek hand shower.
- Tub spout included.
- 24" sliding rail included.
- 1/2" NPT inlets and outlets (compatible with US plumbing connections)



## Installation

- Ceiling mounted/ wall mounted installation.


## Included Pieces

- 16" shower arm with flange. (Remer 347N30US-CR)
- 8" rain shower head. (Remer 356MD20)
- 3-way shower diverter with rough-in valve. (Remer NT93US-CR)
- Multi-function hand shower. (Remer 317MM-CR)
- Flexible shower hose. (Remer 333CNX150-CR)
- 24" sliding rail. (Remer 317M)
- Water connection. (Remer 309LUS-CR)
- Tub spout. (Remer 91M-CR)

## Nameek's One-Year Limited Warranty

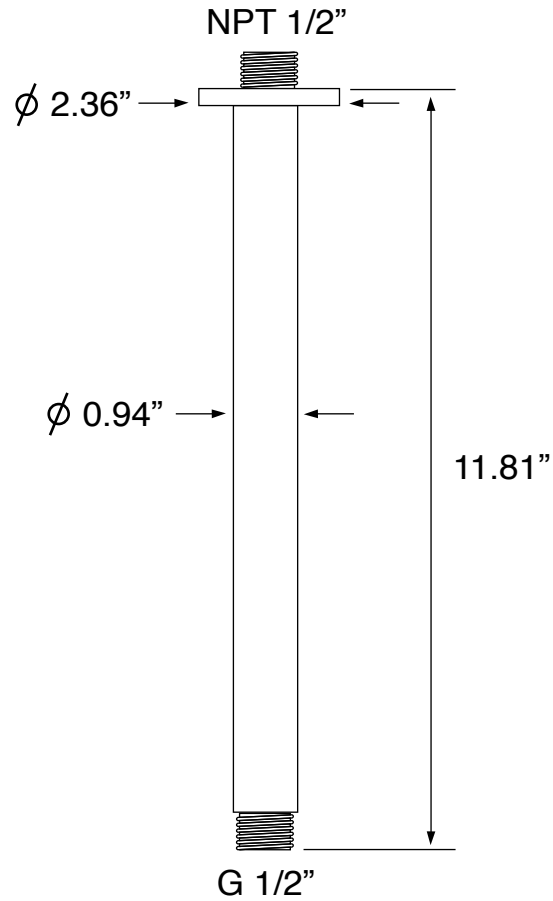
See website for warranty information details.

## Color/Finish Details

Color	Code	Description
	CR	Polished Chrome

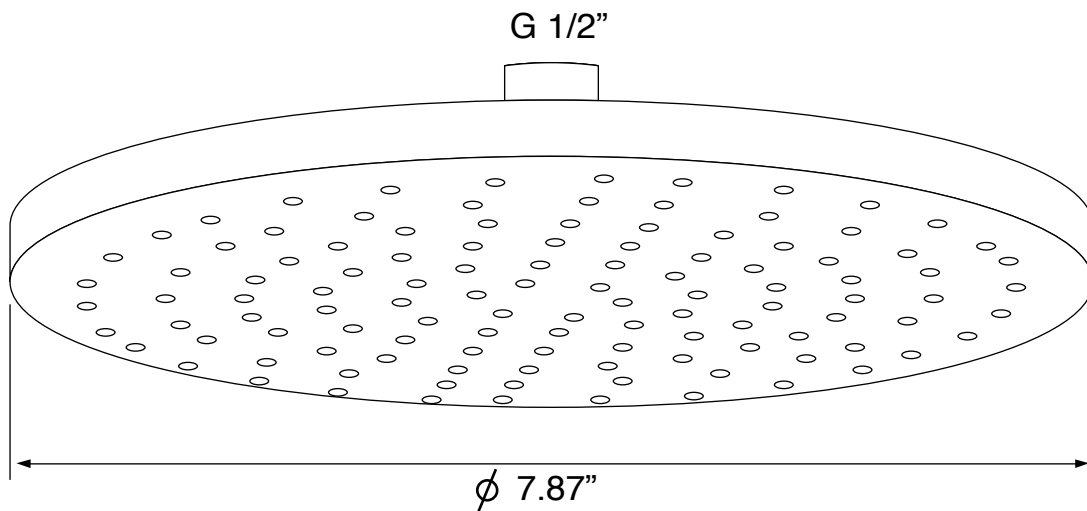
## Shower Arm

Remer 347N30US-CR



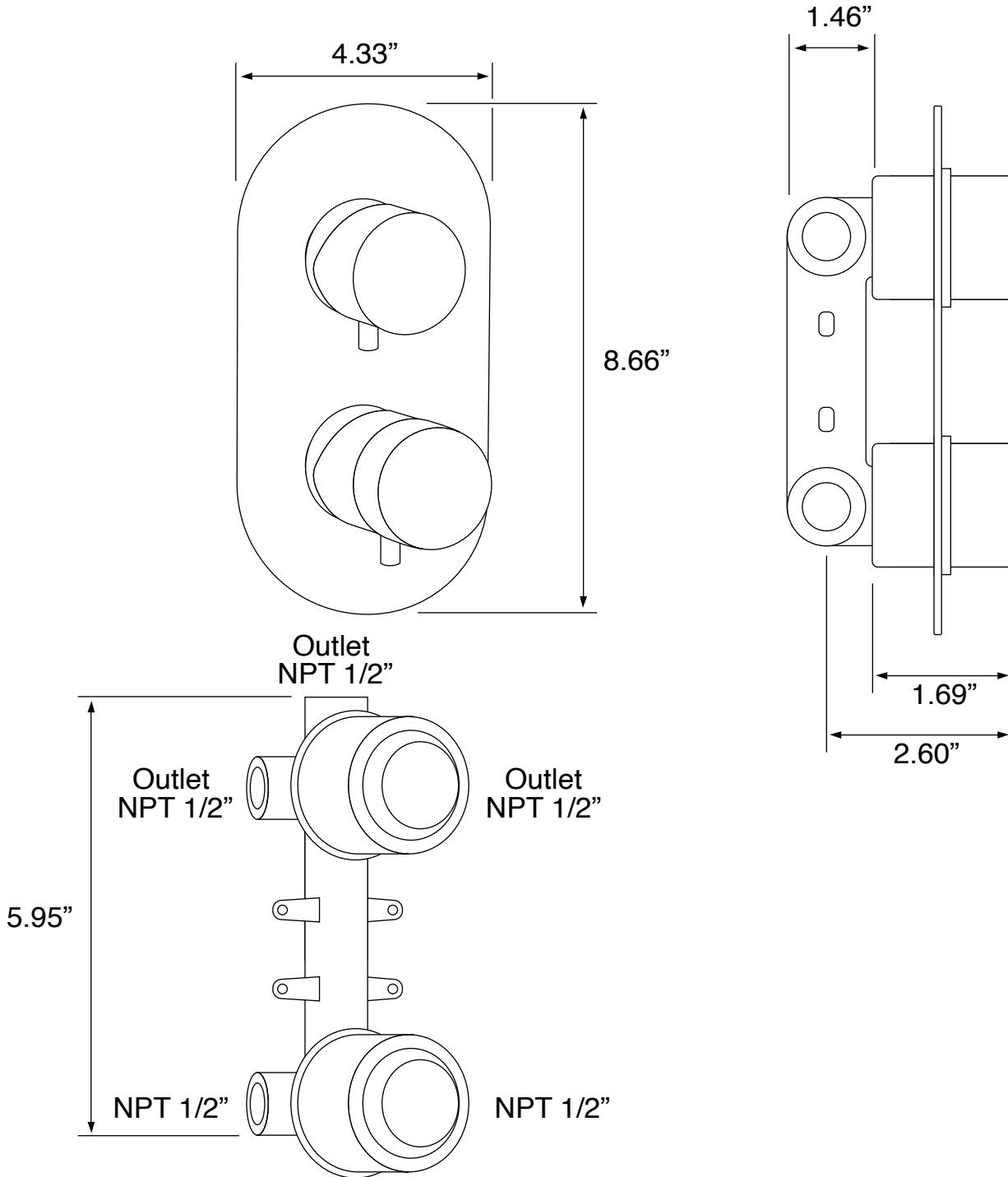
## Rain Shower Head

Remer 356MD20



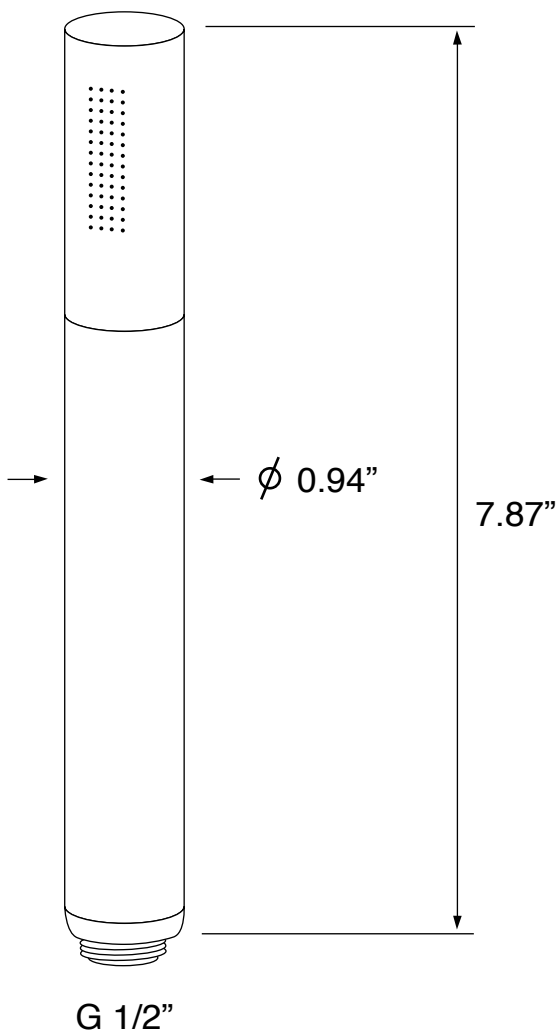
## Shower Valve (Trim + Rough-in Valve)

Remer NT93US-CR



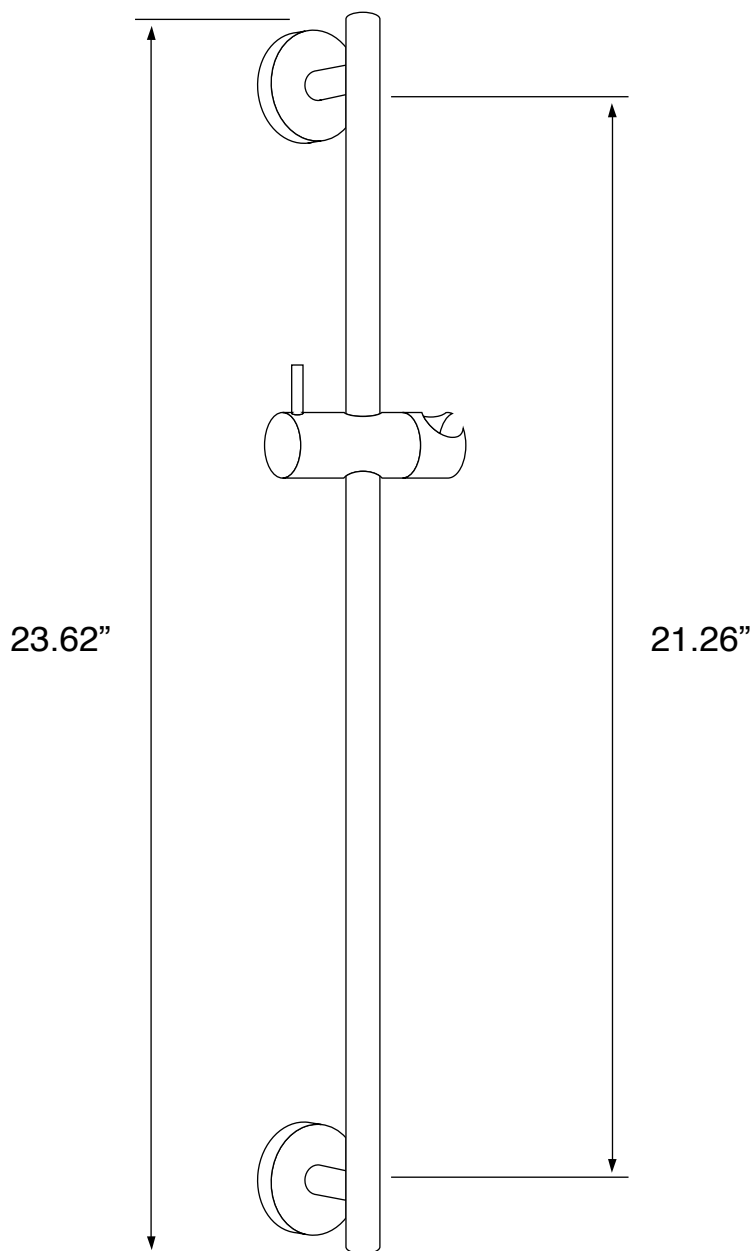
## Hand Shower

Remer 317MM-CR



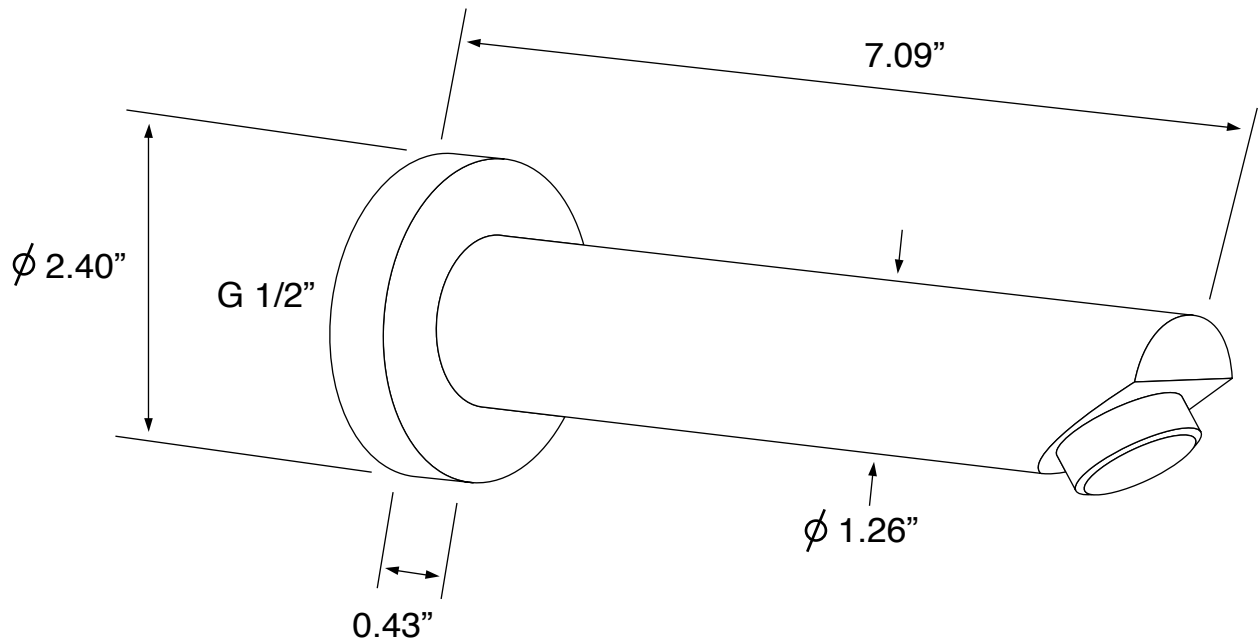
## Sliding Rail

Remer 317M



## Tub Spout

Remer 91M-CR



## Technical Information

Shower head size:	7.87"
Shower head type:	Rain
Pivoting shower head:	Yes
Shower arm length:	11.81"
Rough-in included:	Yes
Material:	Brass ABS
Cartridge type:	Thermostatic Ceramic disc technology
Hand shower functions:	Wide

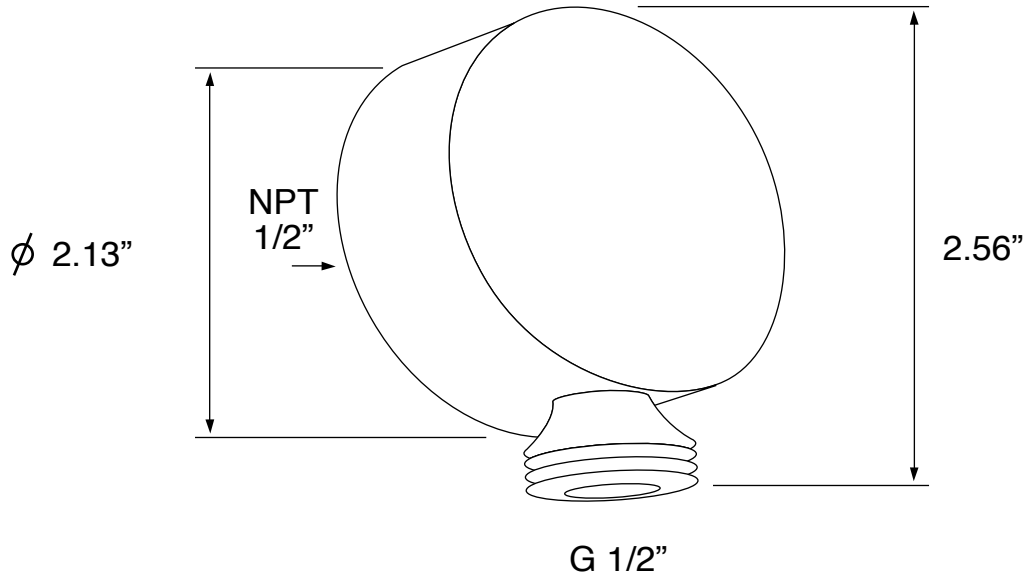
## Notes

This item is recommended to be installed by a licensed plumber or professional only. Please ensure to observe all local and building code requirements. Shut off water supply prior to installation.

Includes mounting hardware.

## Water Connection

Remer 309LUS-CR



## Shower Hose

Remer 333CNX150-CR

