

SPECIFICATIONS

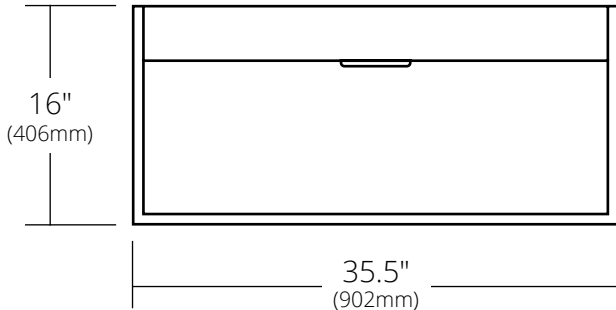
TOPANGA FLOATING VANITY

Topanga Series

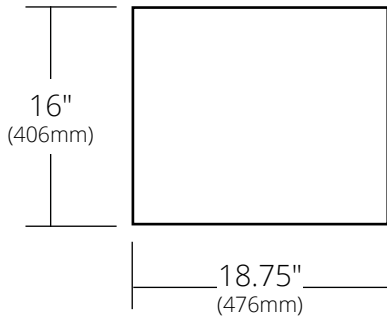


VNA201

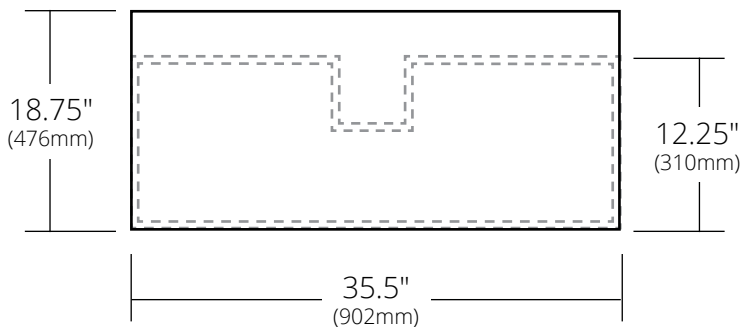
FRONT VIEW



SIDE VIEW



TOP VIEW



PRODUCT DETAILS

- 35.5"w x 18.75"d x 16"h (902mm x 476mm x 406mm)
- FSC® certified walnut
- One full-extension, soft-close drawer
- Low VOC water-resistant finish

INSTALLATION

- Wall Mount (built in French cleat)

COORDINATING PRODUCTS

- Combine with NativeStone Trough 3619

IMPORTANT

Due to the handcrafted nature of this product, it will vary in finish, texture, and other details. Dimensions may vary up to 1/4" (6mm).