

# NEWPORT BATH

## Shower Drain Throat **277-01**

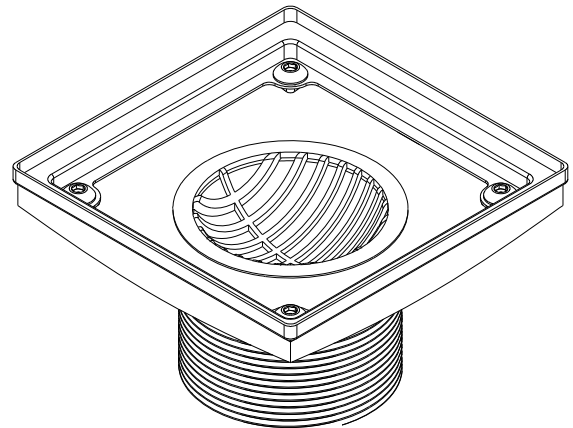
### Features

- Solid brass and stainless steel construction
- O-ring retention system across 4" x 4" square inlet
- 2" Dome Strainer
- 2" IPS outlet
- Compatible with most 2" IPS drain bodies

### Codes / Standards Compliance

Meets or exceeds the following at date of manufacture:

- ASME A112.18.2-2011/CSA B125.2-11
- IAPMO/cUPC
- All applicable US Federal and State material regulations



### Colors / Finishes

- NA: None

### Specified Model

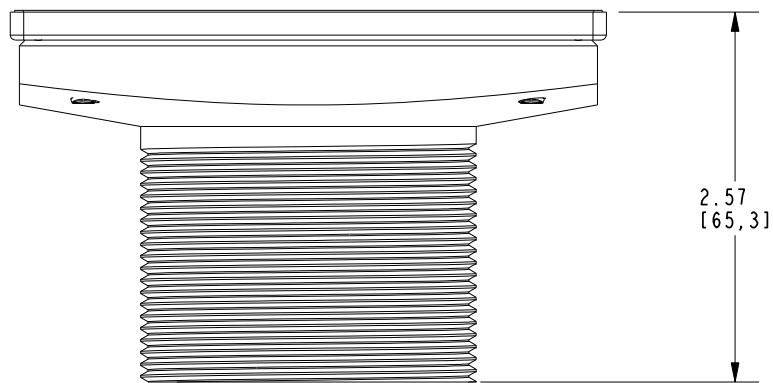
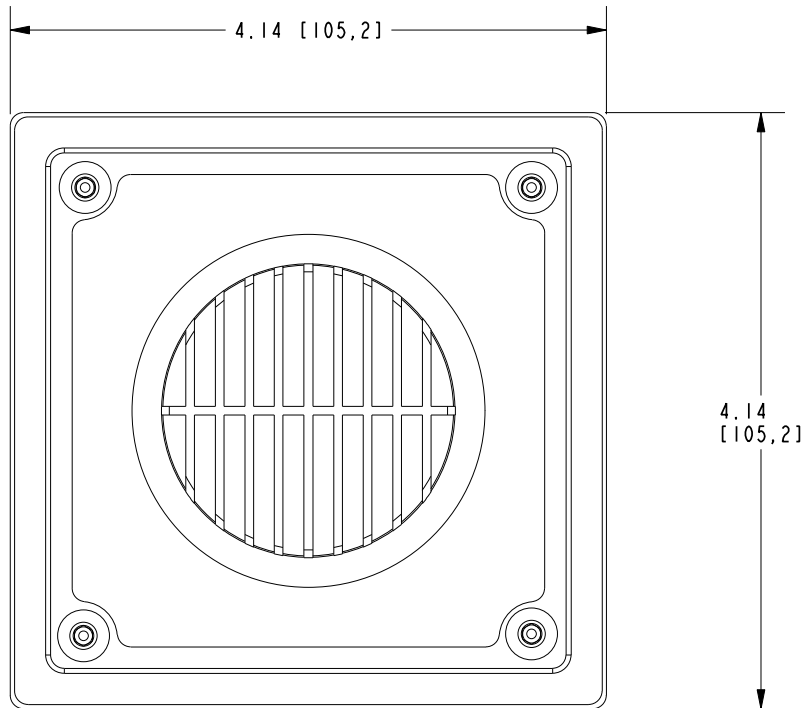
Model	Description	Colors   Finishes
277-01	Square Shower Drain Throat	<input type="checkbox"/> NA

### Product Specification: Add size designator and "Color / Finish" suffix to Model number, below.

The Square Shower Drain Throat shall be made of solid brass and stainless steel construction. Product shall incorporate O-ring retention system across a 4" x 4" stainless steel inlet tray. Product shall include a 2" dome strainer. Shower Drain Throat shall incorporate a 2" IPS outlet. Shower Drain Throat shall be Newport Brass Model 277-01.

# 277-01

## PRODUCT DIMENSIONS *(Units are in inches)*



**Newport Bath Square Shower Drain Throat**

**277-01**

Page 2 of 2 Spec\_277-01\_a\_6.18

**NEWPORT BRASS**  
Flawless Beauty. From Faucet to Finish.™

t: 949.417.5207 | [www.newportbrass.com](http://www.newportbrass.com)  
©2014 Brasstech, Inc.