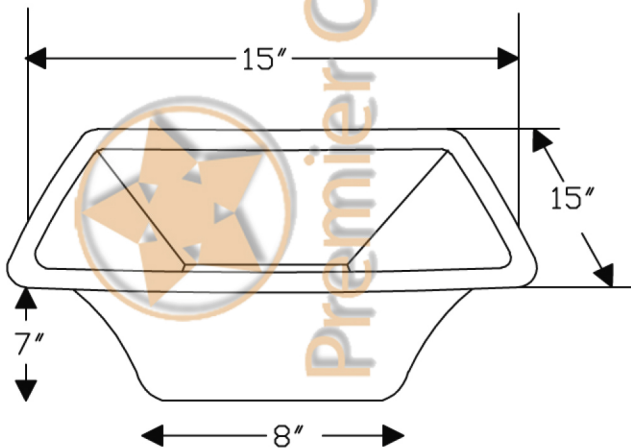
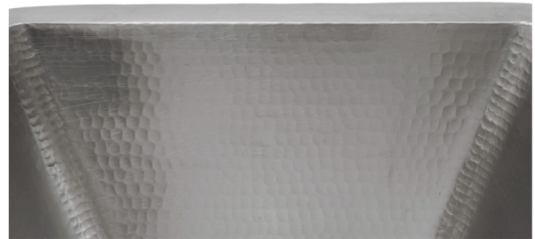
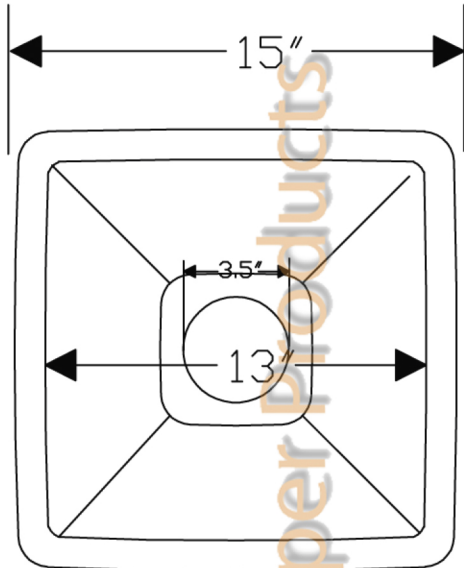




PREMIER
COPPER PRODUCTS

MODEL NUMBER: BS15EN3

- * Description: 15" Square Copper Bar/Prep Sink in Electroless Nickel w/ 3.5" Drain Size
- * Outer Dimensions: 15" x 15" x 7"
- * Inner Dimensions: 13" x 13" x 7"
- * Rim: 1"
- * Drain Opening: 3.5" Prep Standard
- * Finish: Electroless Nickel



This product is hand crafted, small variances in color and size may occur.
Dimensions may vary up to 1/4". Do not make any installation cuts until you receive your item(s).