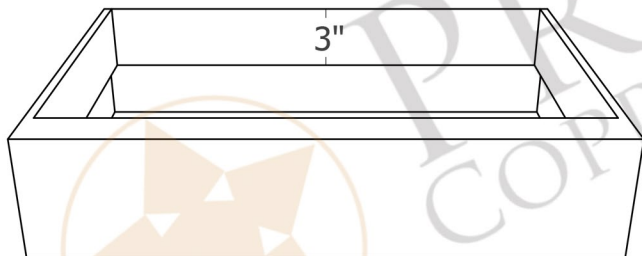
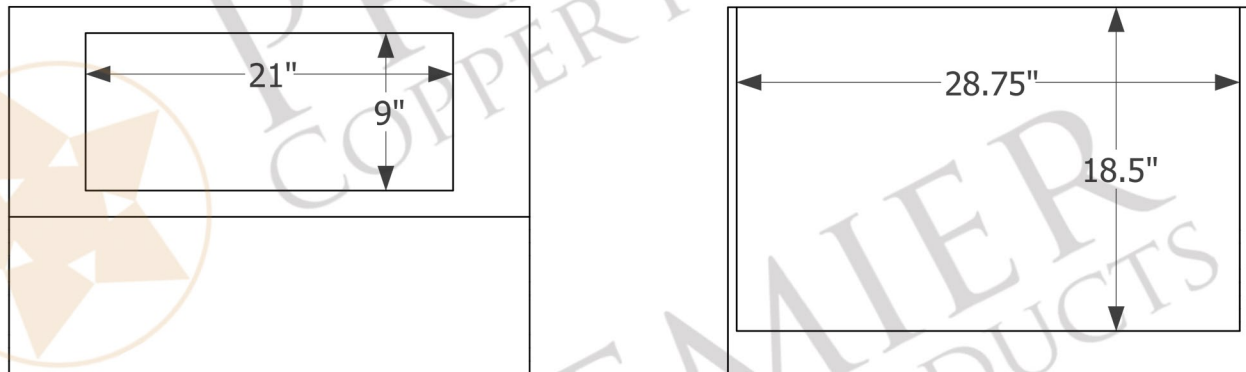
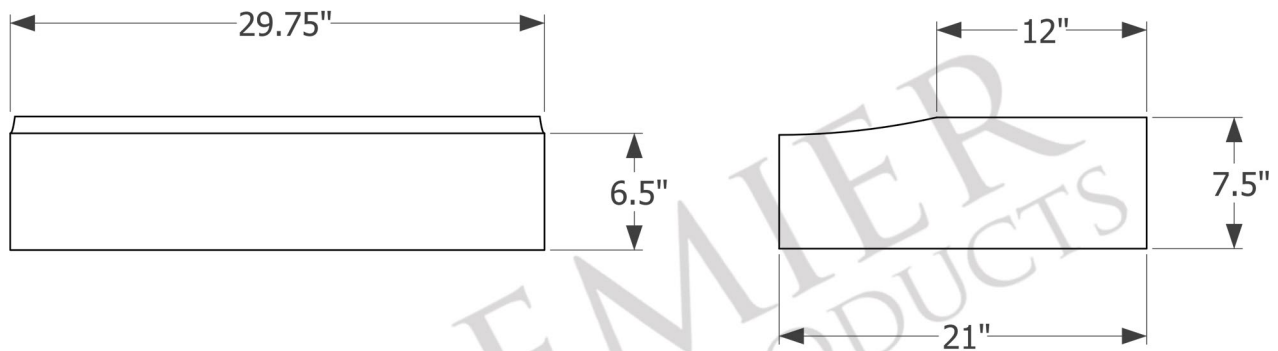




MODEL NUMBER: HV-UC30217Z-C2030BP

- * Description: Hand Hammered Zinc Under Cabinet Range Hood with 735 CFM Screen Filters
- * Outer Dimensions: 29.75" X 21" X 7.5"
- * Top Dimensions: 29.75" X 12"
- * Bottom Dimensions: 29.75" X 21"
- * Bottom Opening Dimensions: 28.75" x 18.5"
- * Finish: Zinc
- * Skirt Height: 6.5"
- * Top Opening: 21" x 9"



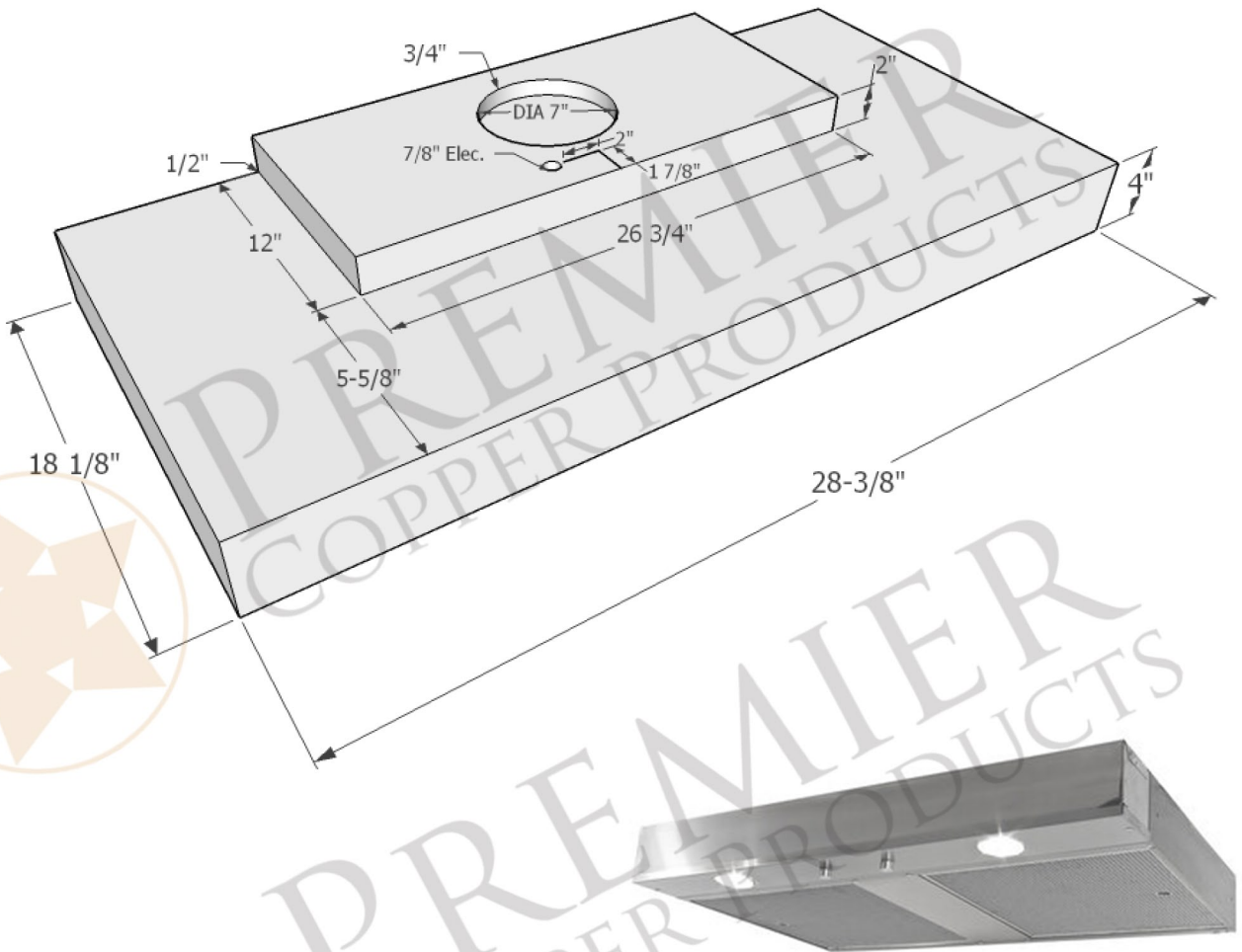
THIS PRODUCTS IS HAND CRAFTED, SMALL VARIANCES IN COLOR AND SIZE MAY OCCUR.
DO NOT MAKE ANY INSTALLATION CUTS UNTIL YOU RECEIVE YOUR ITEM(S).



PREMIER
COPPER PRODUCTS

MODEL NUMBER: HV-UC30217Z-C2030BP

- * Description: Hand Hammered Zinc Under Cabinet Range Hood with 735 CFM Screen Filters
- * Insert Model: C2030BP
- * Insert Description: 735 CFM, 1.5 - 4.6 Sones, Variable Controls, Dual Centrifugal Blowers, Aluminum Mesh Filters
- * Insert Duct: Single 7" Round Vent Opening
- * Insert Lighting: Two Dimmable LED Lights Included
- * Insert Finish: Stainless Steel



Industry leading, seven year in home, limited warranty on insert.

Please visit ImperialHoods.com to view the details of their warranty in full.

All dimensions on inserts are (+/-) 1/8" and are subject to change. Drawings are not to scale.