



## TECHNICAL DETAILS

ADA Compliance: Yes  
 Fitting Hole Diameter: 1 1/8"  
 Number of Holes: Three Hole  
 Number of Handles: Two  
 Handle Turn Angle: Quarter Turn  
 Spout Reach: See List Below  
 Installation Type: Wall Mounted  
 Primary Material: Brass  
 Valve Material: Ceramic  
 Flow Restriction: Full Flow  
 Water Pressure Maximum: 85 PSI  
 Water Pressure Minimum: 20 PSI  
 Water Pressure Recommended: 60 PSI

## PRODUCT FEATURES

- Style: Contemporary
- Collection: Basic
- Temperature Controlled By Handles
- Tubular Cross Handles

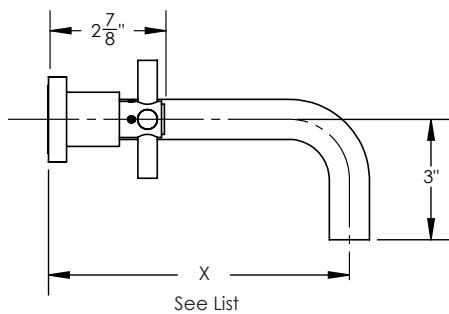
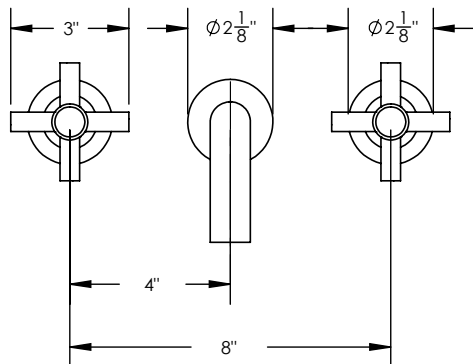
## CODES & STANDARDS



ASME A112.181/ CSA B1251, ASME 112.18.2/ CSA B125.2, ANSI NSF, CEC, Watersense 61 Sect. 9, State of MA.

## WARRANTY

Mechanical Warranty: 10 Years from date of purchase.  
 Finish Warranty: See catalog for further information.



## DIFFERENT SPOUT SIZES

D1134	X= 7 1/2"
D1134-10	X= 10"
D1134-12	X= 12"
D1134-14	X= 14"