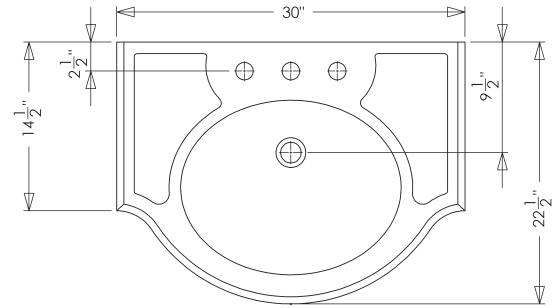


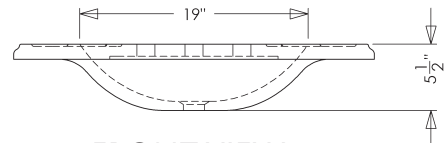


C92-WL30 PETITE RENAISSANCE

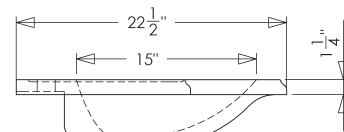
©2013 STONE FOREST, INC.



TOP VIEW

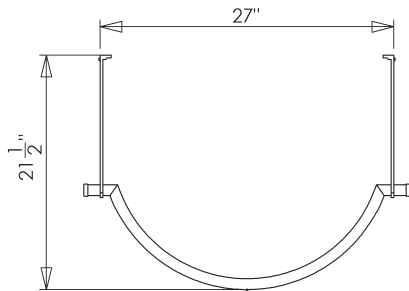


FRONT VIEW

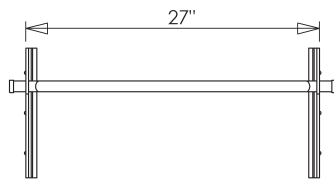


SIDE VIEW

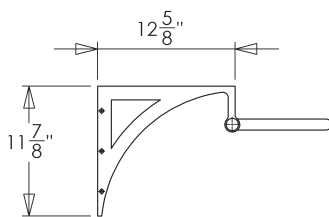
- Carved from a single block of stone.
- Available in: Carrara Marble (CA)
- All Honed.
- Approx thickness at drain is 0.75". Required drain use 9054D Grid Drain. This can be supplied by Stone Forest at your request in select finishes.
- Drilled to accept most 8" c.c. lavatory faucets.
- Made to fit brass wall bracket #LSBRKT or brass console legs #LS21BLSFR
- Do not use pop-up drains.
- Do not use plumbers putty.
- Approx 90 lbs.



TOP VIEW



FRONT VIEW



SIDE VIEW



LSBRKT BRASS WALL BRACKET

©2013 STONE FOREST, INC.

- Available in: Aged Brass Unlacquered (ABUL) Polished Nickel (PN)
- Fits C92-WL30 Petite Renaissance.
- 12" Phillips screwdriver required for installation.
- Install with adhesive caulk on top edge of each bracket and along the back of the sink. We recommend Dap Kwik Seal or Henkels Polyseam Seal.
- Approx 15 lbs.