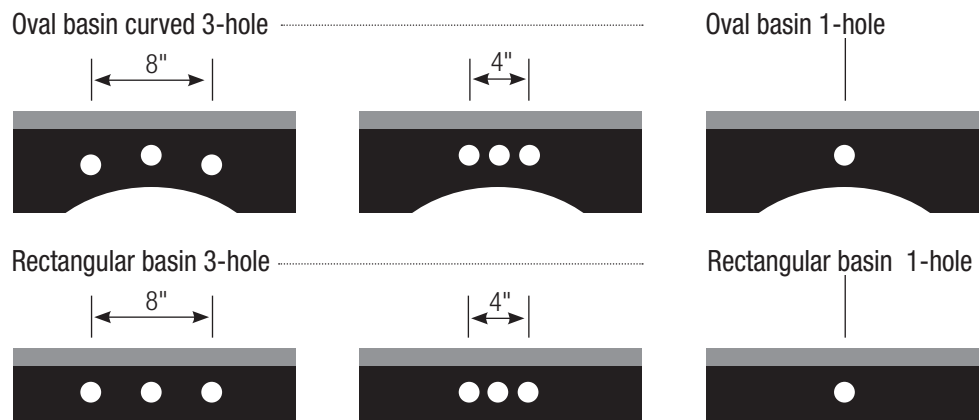


Granite & Quartz Vanity Tops with Backsplash

- Undermount basin(s) included & installed
- Optional side splashes are available

Tops are 3cm (approx. 1 1/4") thick. Back- and side- splashes 3cm (approx. 1 1/4") thick and 4" tall.
Faucet holes: 1 3/8" diameter. Drain holes: 1 3/4" diameter.

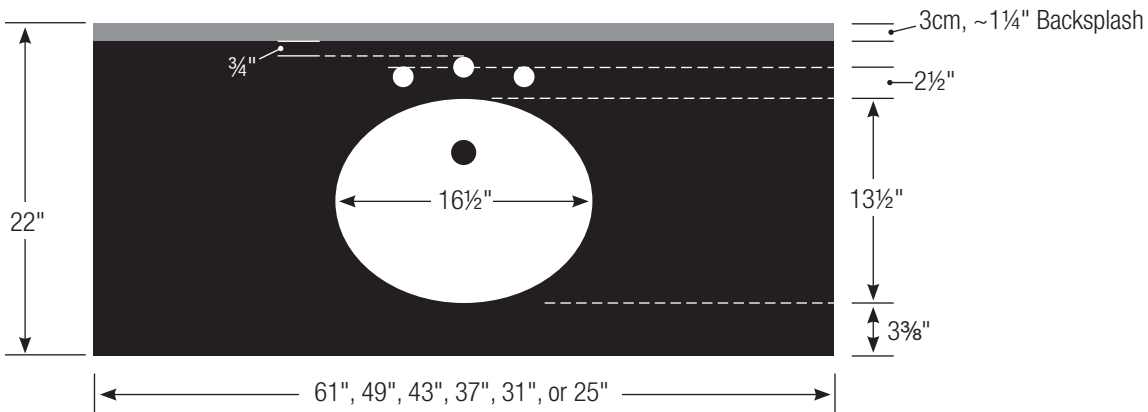


Page

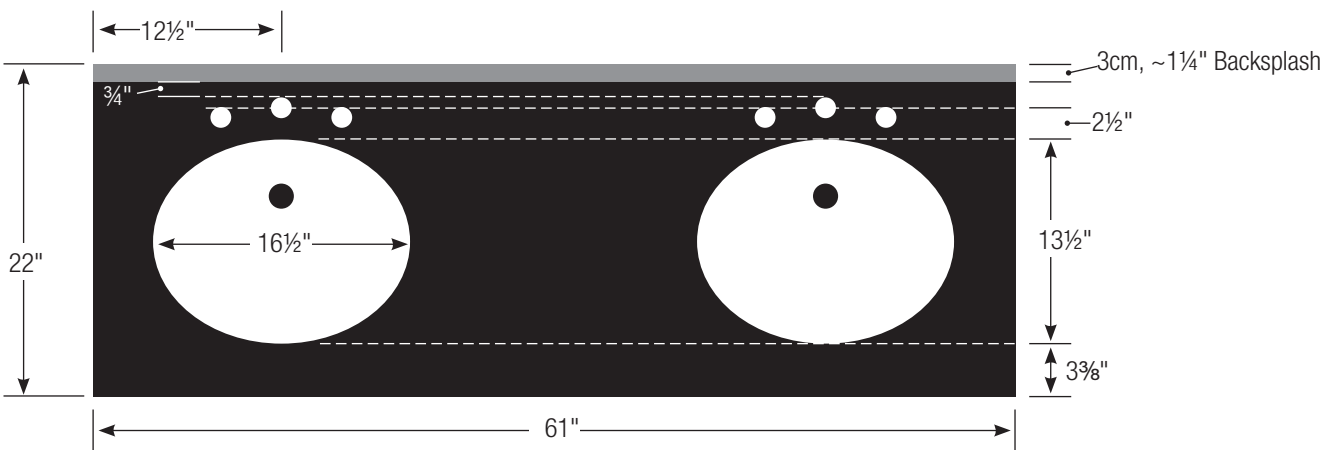
- 22" front-to-back tops with single oval basins, all widths
22" deep tops with double oval basins, 61" wide
- 22" deep tops with single rectangular basins, all widths
22" deep tops with double rectangular basins, 61" wide
- 19" front-to-back tops with single oval basins, all widths
19" deep tops with double oval basins, 61" wide
- 19" deep tops with single rectangular basins, all widths
19" deep tops with double rectangular basins, 61" wide

*See last page
for undermount basin
specifications*

22" front-to-back tops with single oval basins, all widths



22" deep tops with double oval basins, 61" wide

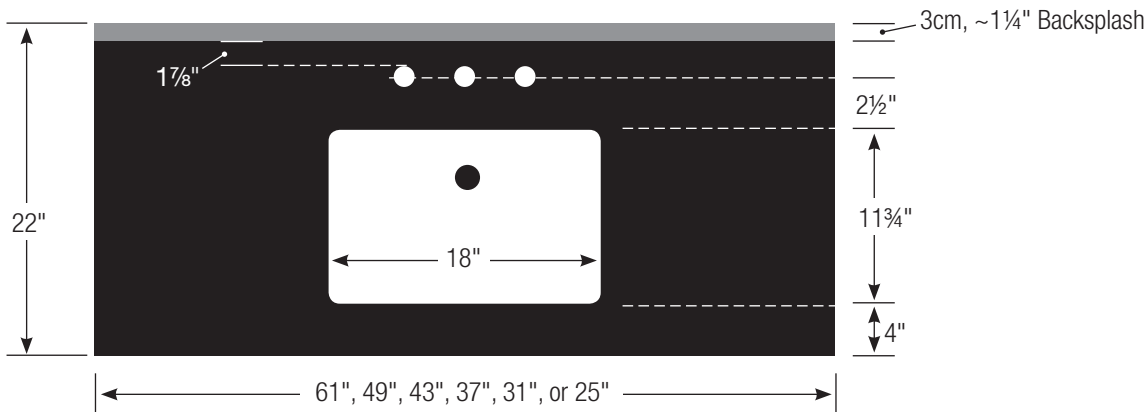


Faucet holes 1 3/8"

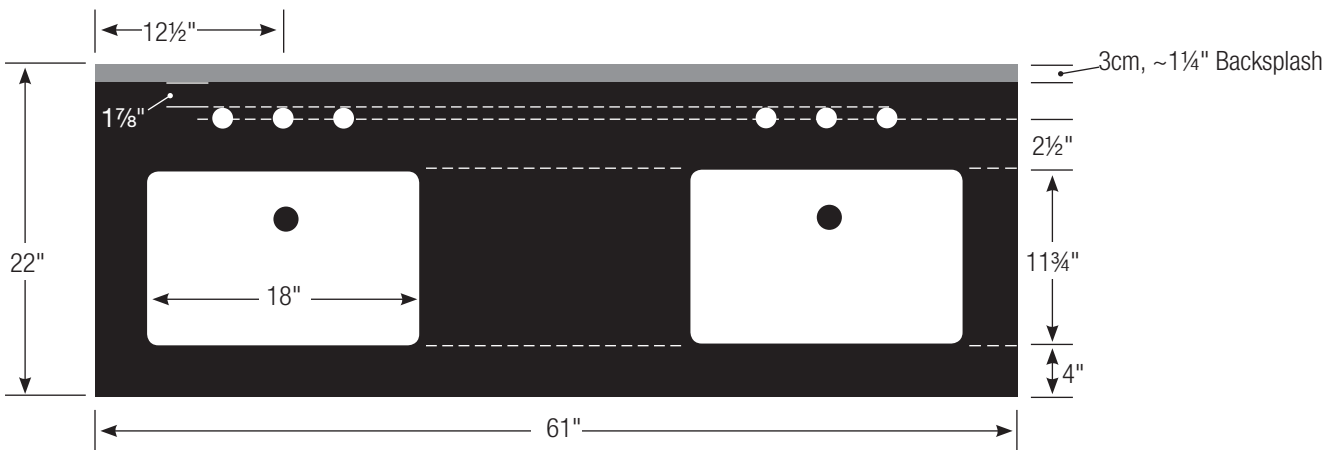
Drain holes 1 3/4"

See last page
for undermount basin
specifications

22" deep tops with single rectangular basins, all widths



22" deep tops with double rectangular basins, 61" wide

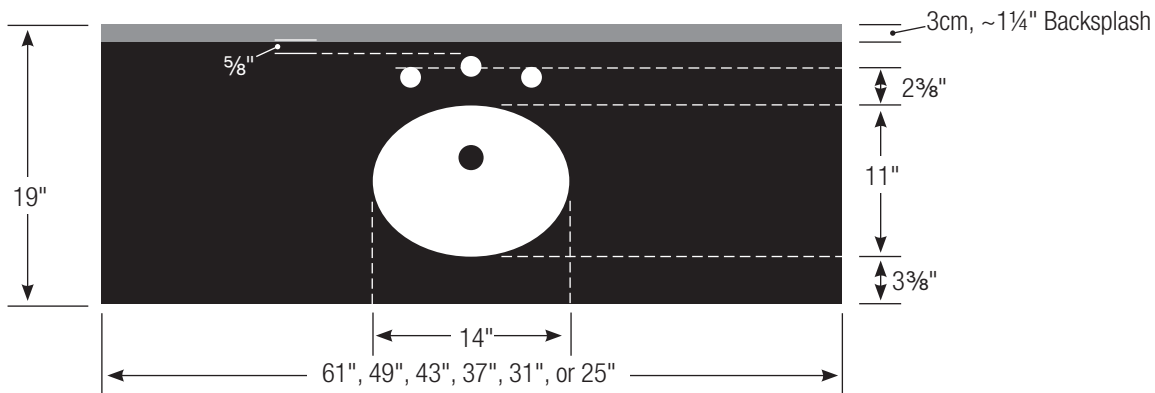


Faucet holes 1 3/8"

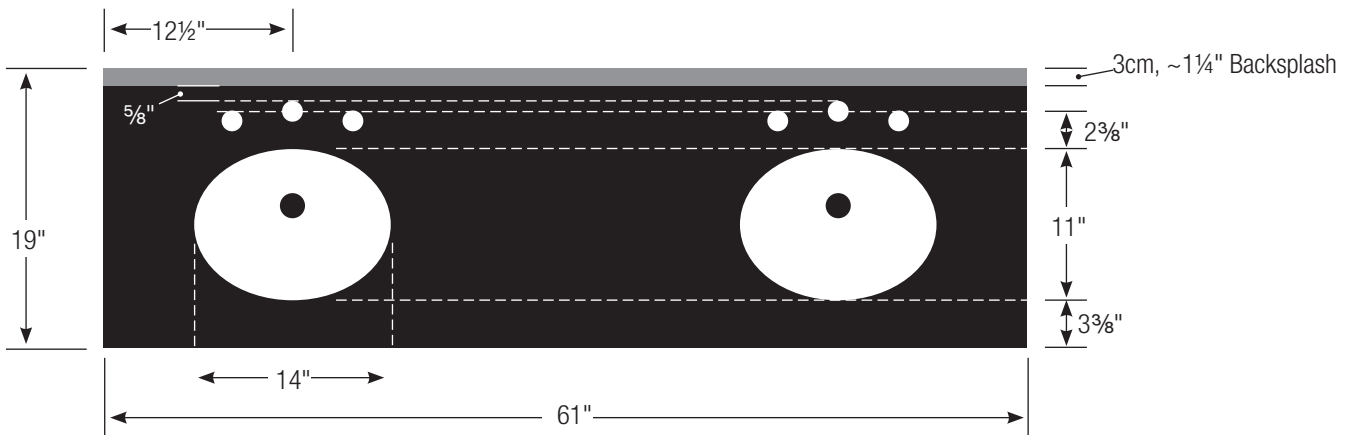
Drain holes 1 3/4"

See last page
for undermount basin
specifications

19" front-to-back tops with single oval basins, all widths



19" deep tops with double oval basins, 61" wide

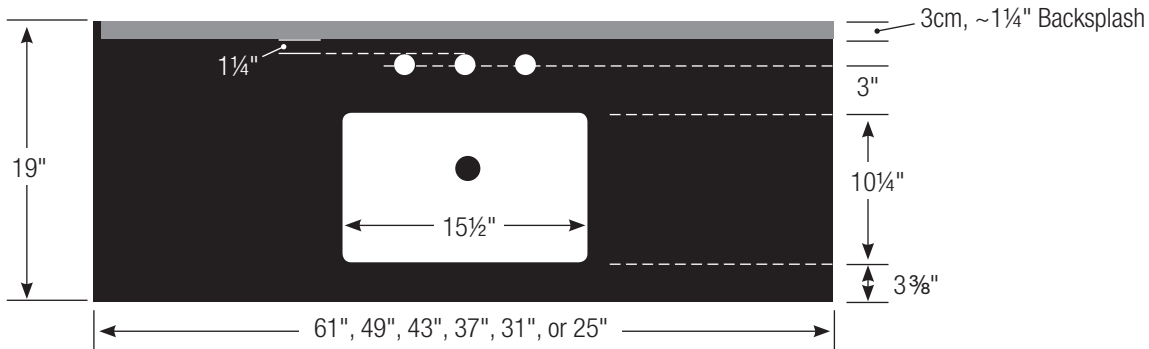


Faucet holes 1 $\frac{3}{8}$ "

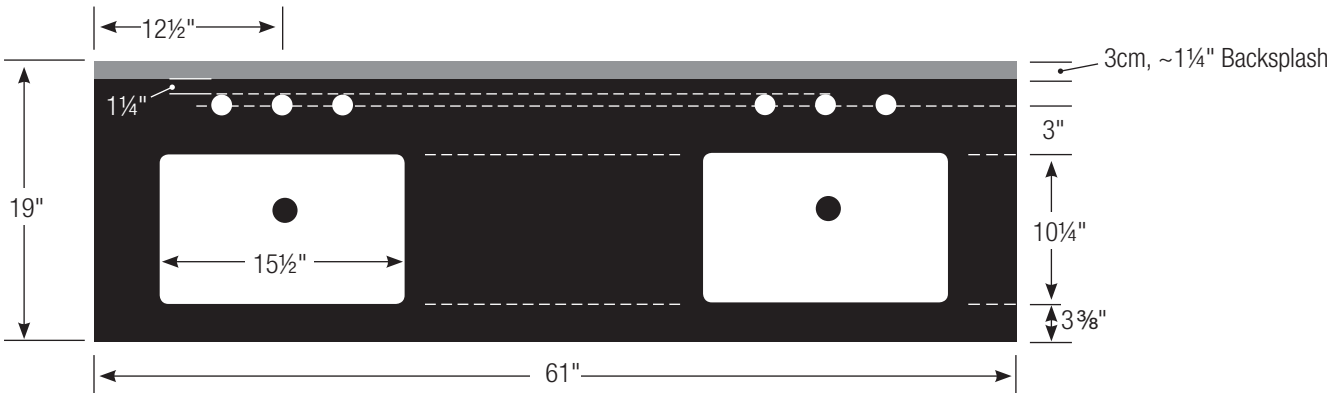
Drain holes 1 $\frac{3}{4}$ "

See last page
for undermount basin
specifications

19" front-to-back tops with single rectangular basins, all widths



19" deep tops with double rectangular basins, 61" wide



Faucet holes 1 3/8"

Drain holes 1 1/4"

See last page
for undermount basin
specifications

UNDERMOUNT BASIN SPECIFICATIONS

22" front-to-back tops with single or double oval basins

Inside dimensions: 17½" X 14¼"

Outside dimensions: 19¼" X 16"

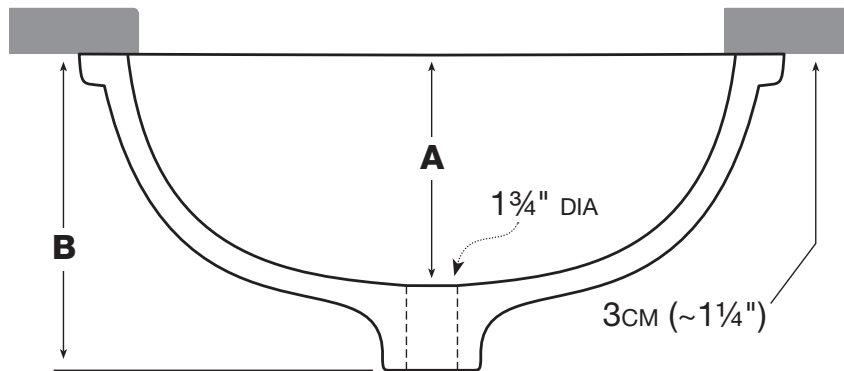
A=6½" B=8"

19" front-to-back tops with single or double oval basins

Inside dimensions: 14¾" X 11¾"

Outside dimensions: 16¾" X 13¾"

A=5¾" B=7¼"



22" front-to-back tops with single or double rectangular basins

Inside dimensions: 19" X 12½"

Outside dimensions: 21" X 14½"

A=6¾" B=8¾"

19" front-to-back tops with single or double rectangular basins

Inside dimensions: 16" X 10¾"

Outside dimensions: 18" X 12¾"

A=6" B=7½"

