




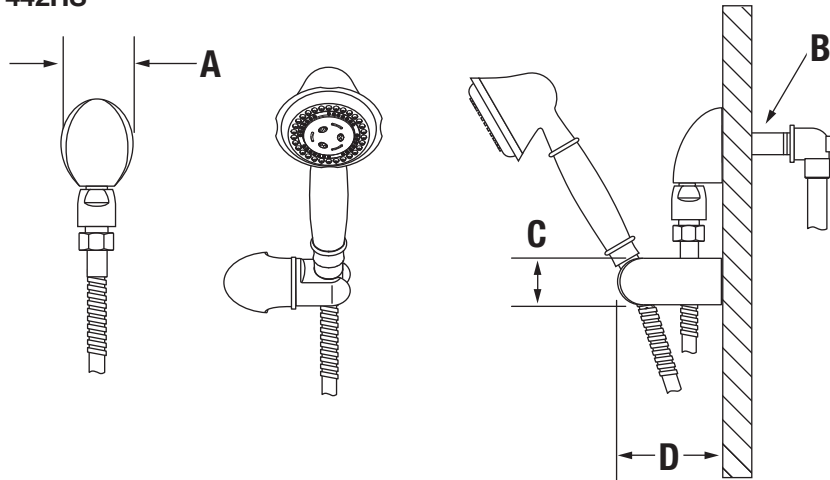


442HS, 442SH, 442W  
Hand Shower / Showerhead / Hand Shower Wand  
**Operation & Maintenance Manual**

Model Numbers	Specifications
<input type="checkbox"/> <b>442HS</b> <i>Hand Shower Assembly</i>  <input type="checkbox"/> <b>442SH</b> <i>Showerhead</i>  <input type="checkbox"/> <b>442W</b> <i>Hand Shower Wand</i>	<p>Hand shower assembly, showerhead and hand shower wand include standard 2.5 gpm (9.5 L/min) flow restrictor. Components are made from metal and nonmetallic materials plated in standard polished chrome finish.</p>
Modifications	Compliance
<input type="checkbox"/> <b>-1.5</b>  <i>1.5 gpm (5.7 L/min) flow restrictor</i> <input type="checkbox"/> <b>-2.0</b> <i>2.0 gpm (7.6 L/min) flow restrictor</i> <input type="checkbox"/> <b>-STN</b> <i>Satin nickel finish</i>	<p>-ASME A112.18.1/CSA B125.1 -WaterSense 1.5, 2.0 gpm (442SH only)</p>  
<p><b>Note:</b> Append appropriate -suffix to model number.</p>	Warranty
	<p><b>Limited Lifetime</b> - to the original end purchaser in consumer installations. <b>5 Years</b> - for commercial installations.</p> <p>Refer to <a href="http://www.symmons.com/warranty">www.symmons.com/warranty</a> for complete warranty information.</p>

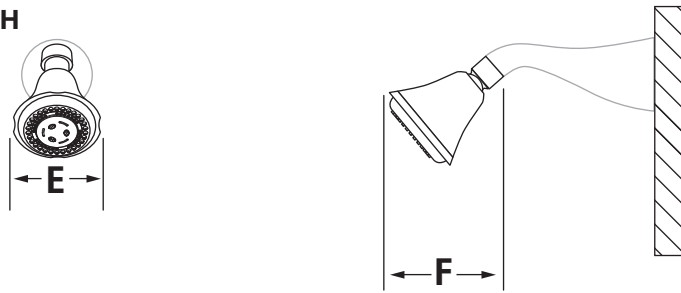
## Dimensions

442HS

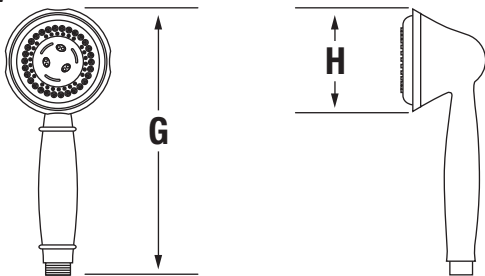


Measurements	
A	2 1/8", 54 mm
B	Male 1/2" IPS thread must be recessed 1/4" from finished wall
C	1 7/8", 48 mm
D	3 1/4", 83 mm
E	3 1/4", 83 mm
F	4 1/4", 108 mm
G	8 5/8", 219 mm
H	3 1/4", 83 mm

442SH

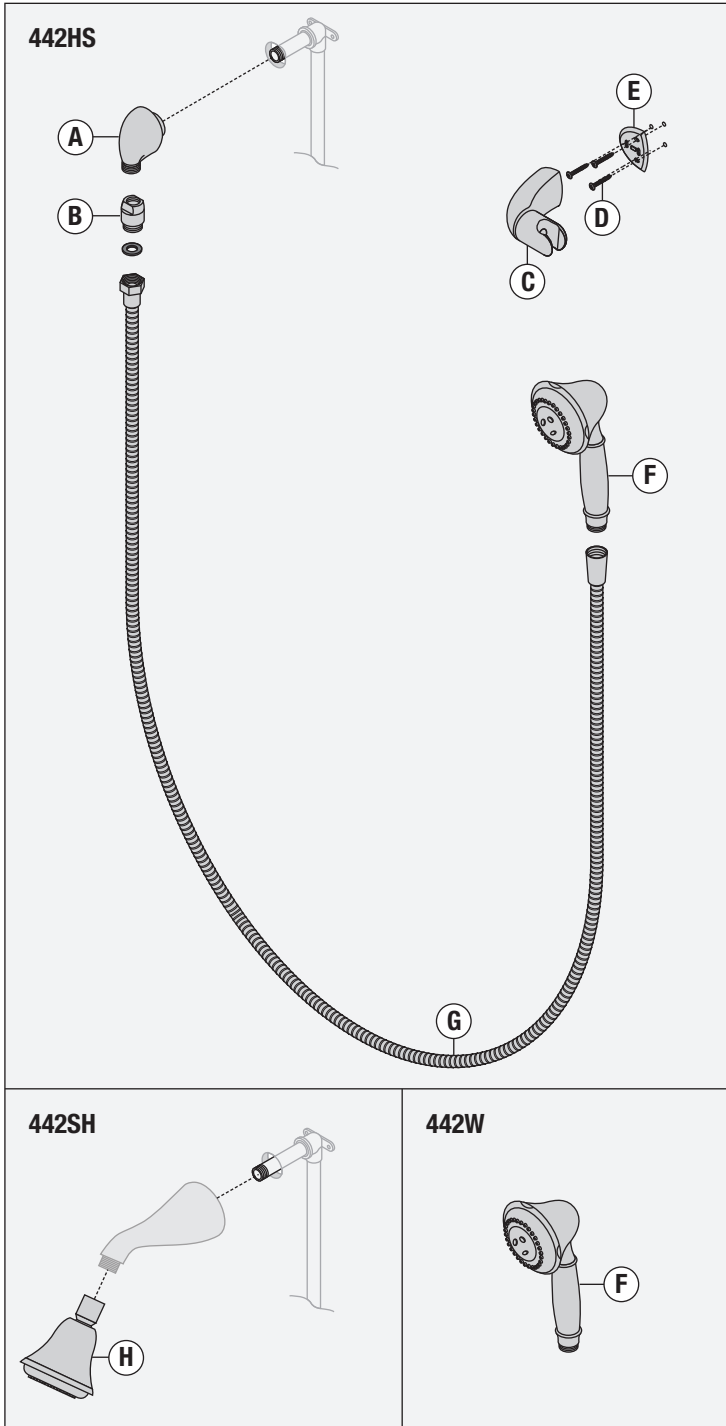


442W



**Note:** Dimensions are subject to change without notice.


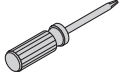
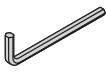

## Parts Breakdown



Replacement Parts		
Item	Description	Part Number
B G	Vacuum Breaker 60" Hose	EF-104
A	Wall Elbow	EF-105
H	Showerhead	442SH
C D E	Cradle Cradle Mounting Screws Cradle Mounting Plate	EF-106
F	Hand Shower	442W

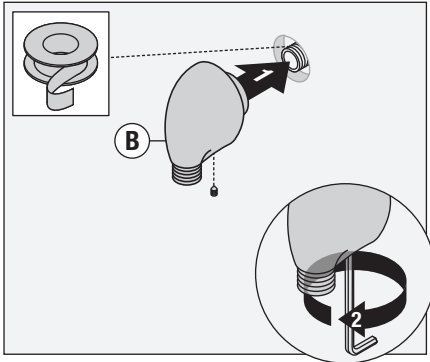
### Notes:

- 1) Append -STN to part number for satin nickel finish.
- 2) Append -1.5 or -2.0 to showerhead or hand shower for low flow.

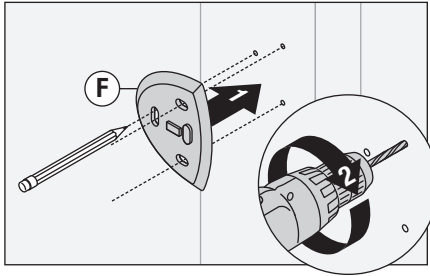
Required for Installation	
Adjustable wrench	
Phillips head screwdriver	
Allen wrench (1/8")	
Plumber tape	

# Installation

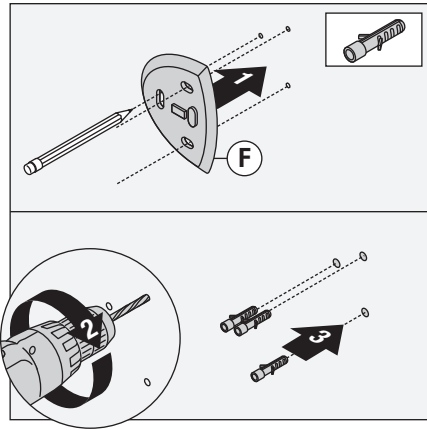
1) Install wall elbow (B) to stub out pipe. Tighten set screw to secure.



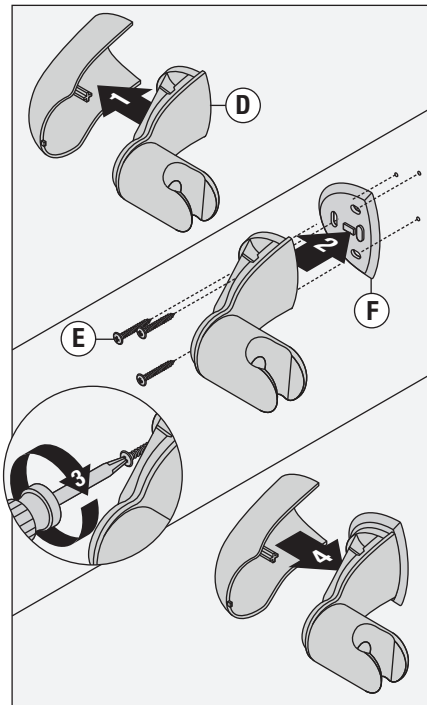
2) Place mounting plate (F) in position, mark and drill 1/8" pilot holes into stud.



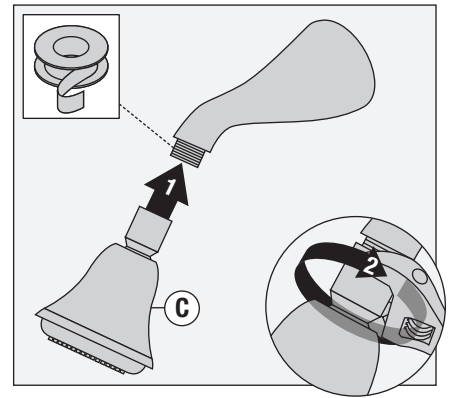
**Option:** Place mounting plate (F) in position, mark and drill 3/16" holes into wall. Install anchors.



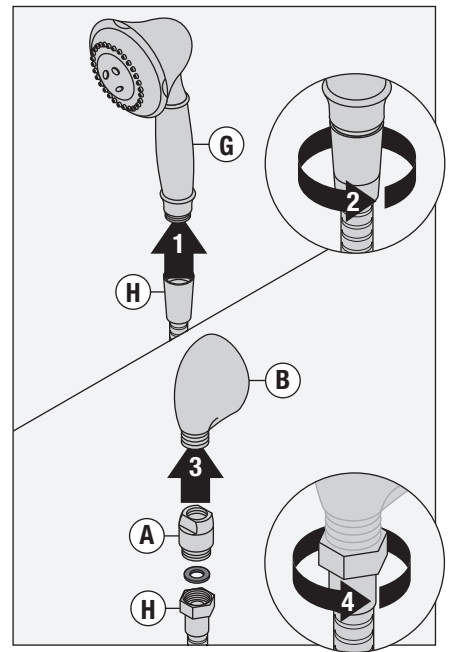
3) Remove cover of hand shower cradle (D). Install cradle and mounting plate (F). Secure with three screws (E). Replace cover on hand shower cradle.



4) Install showerhead (C) to shower arm turning clockwise to tighten.



5) Attach large end of hand shower hose (H) to hand shower head (G). Attach small end of hand shower hose (H) and gasket to in-line vacuum breaker (A). Connect in-line vacuum breaker to wall elbow (B). Turn clockwise to tighten.



---

## Care and Cleaning

---

1) Clean finished trim area with a soft cloth using mild soap and water or a non-abrasive cleaner and then quickly rinse with water.

---

## Troubleshooting Chart

---

Problem	Cause	Solution
Finish is spotting.	Elements in water supply may cause water staining on finish.	Clean finished trim area with a soft cloth using mild soap and water or a non-abrasive cleaner and then quickly rinse with water.