

FEATURES

- WaterSense® certified high-efficiency 1.75 gpm (6.6 lpm)
- ø4-5/16" Single spray handshower
- Balanced Comfort Wave™ technology with wide coverage rinse & wash
- Rubber nozzles to prevent limescale build-up
- Meets 2018 California water efficiency appliance CEC regulations
- Shower hose sold separately

COLORS/FINISHES

- #CP Polished Chrome
- #PN Polished Nickel
- #BN Brushed Nickel



CODES/STANDARDS

- Meets or exceeds ASME A112.18.1/CSA B125.1
- Certifications: IAPMO(cUPC), EPA WaterSense, State of Massachusetts and others
- Code Compliance: UPC, IPC, NSPC, NPC Canada, CEC, DoE, and others
- Complies with CA Prop 65 warning requirements



PRODUCT SPECIFICATION

Product shall be TOTO Model TBW01009U4#_____.
Product shall have 1.75 gpm (6.6 lpm) maximum flow rate. Product shall have balanced Comfort Wave™ technology with wide coverage overlaying rinse & wash. Product shall have rubber nozzles to prevent limescale build-up. Product shall meet 2018 California water efficiency appliance CEC regulations. Product shower hose sold separately.

TBW01009U4

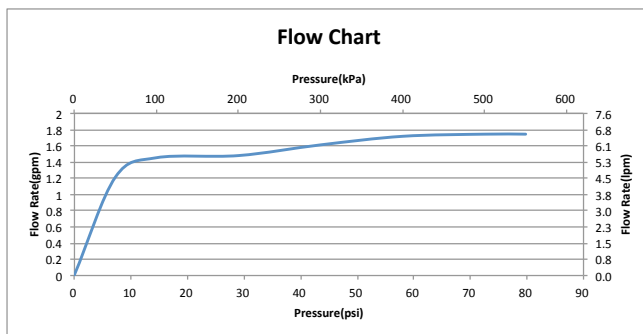
Round Handshower - 1 Mode

SPECIFICATIONS

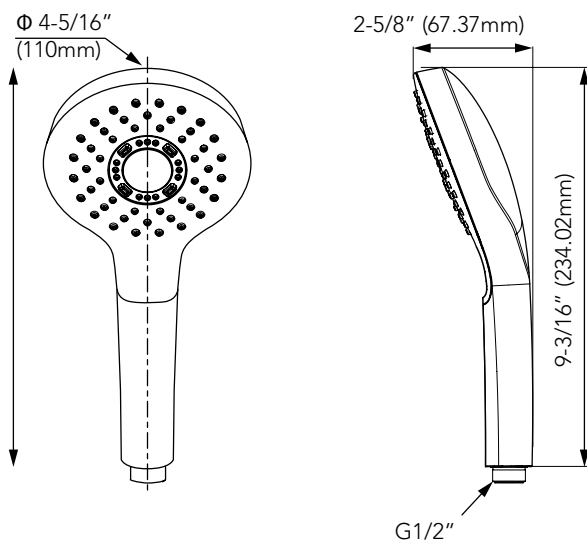
Material	ABS & POM
Maximum Flow Rate	1.75 gpm (6.6 lpm)
Warranty	Limited Lifetime for Residential Use One Year for Commercial Use
Shipping Weight	1.05 lbs
Shipping Dimensions	10-3/4"L x 5-1/8"W x 3-3/4"H

INSTALLATION NOTES

For use with TS101W60: Shower hose (Sold separately)



DIMENSIONS



TOTO