

Connelly® WASHLET®+ S500e Close Coupled Toilet - 1.28 & 0.9 GPF

FEATURES

- Concealed supply connection for seamless installation
- 3D TORNADO FLUSH® system, high-efficiency dual-flush 1.28 & 0.9 GPF (4.8 & 3.4 LPF)
- CEFIONTECT® ceramic glaze prevents debris and mold from sticking to ceramic surfaces
- Universal Height
- 12" Rough-in
- Chrome plated trip lever
- Elongated front bowl and WASHLET+ S500e and tank set
- On-demand wand cleaning with EWATER+®
- PREMIST of bowl before each use
- Remote control operated
- Auto Flush available as upgrade

MODELS

- **MW4943044CEMFGA (#01)**
With CEFIONTECT ceramic glaze, WASHLET+ S500e with classic design and Auto Flush
 - **CT494CEFGT40**
Elongated bowl with CEFIONTECT
 - **ST494MA**
Tank and Cover
 - **SW3044AT40**
WASHLET+ S500e - Auto Flush compatible
 - **9AU321-A**
WASHLET adapter
 - **THU765**
Auto Flush Kit
 - **MW4943044CEMFG (#01)**
Same as MW6263056CEFGA without Auto Flush
 - **CT494CEFGT40**
Elongated bowl with CEFIONTECT
 - **ST494MA**
Tank and Cover
 - **SW3044T40**
WASHLET+ S500e - Non Auto Flush compatible
 - **9AU321-A**
WASHLET adapter
- Optional Components**
- **TSU03W.10R**
10" Unifit Rough-In
 - **TSU03W.14R**
14" Unifit Rough-In
 - **THU416#01**
Trip Lever - Cotton
 - **THU416#PN**
Trip Lever - Polished Nickel
 - **THU416#BN**
Trip Lever - Brushed Nickel

COLORS/FINISHES

- #01 Cotton



-  **TORNADO FLUSH**
-  **EWATER+**
-  **CEFIONTECT**
-  **Auto Flush**

PRODUCT SPECIFICATION

The one-piece high-efficiency TORNADO FLUSH system toilet shall be dual-flush 1.28 & 0.9 GPF (4.8 & 3.4 LPF). Toilet shall be 12" Unifit rough-in. Toilet shall have optional CEFIONTECT ceramic glaze and be at Universal Height. Toilet shall have elongated front bowl with Polished Chrome trip lever. Toilet shall be TOTO Model MW4943044CEMFG__#01

See SW3054(A)T40 Specification Sheet for details on included WASHLET.

CODES/STANDARDS

- Meets or exceeds ASME A112.19.2/CSA B45.1
- Certifications: IAPMO(cUPC), EPA Watersense, State of Massachusetts, City of Los Angeles, and others
- Code compliance: UPC, IPC, NSPC, NPC Canada, and others
- Legislative Compliance: California AB715, California Green Building Code, City of Los Angeles Water Efficiency Ordinance
- ADA compliant (when installed with trip lever located on the approach side)
- Complies with CA Prop 65 warning requirements



MW4943044CEMFG(A)

Connelly® WASHLET®+ S500e Close Coupled Toilet - 1.28 & 0.9 GPF

SPECIFICATIONS

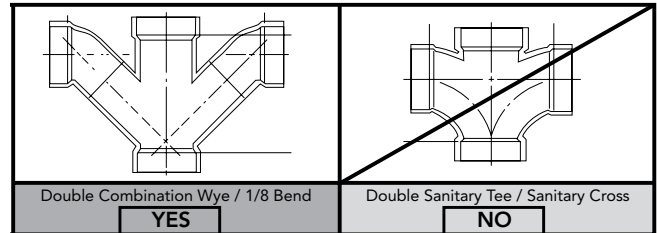
Water Use	1.28 & 0.9 GPF (4.8 & 3.4 LPF)
Flush System	3D TORNADO FLUSH®
Min. Water Pressure	8 psi (Flowing)
Water Surface	5-5/8" x 4-1/8"
Trap Diameter	2-1/8"
Rough-in	12" (10" & 14" Optional)
Trap Seal	2-1/8"
Warranty	One Year Limited Warranty
Material	Vitreous China
Shipping Weight	CT494CEFGT40 70 lbs ST494MA 31 lbs
Shipping Dimensions	CT494CEFGT40 30-3/4" L x 17-3/8" W x 20-1/2" H ST494MA 17-1/4" L x 7-7/8" W x 17-1/2" H

See SW3054(A)T40 Specification Sheet for details on included WASHLET.

INSTALLATION NOTES

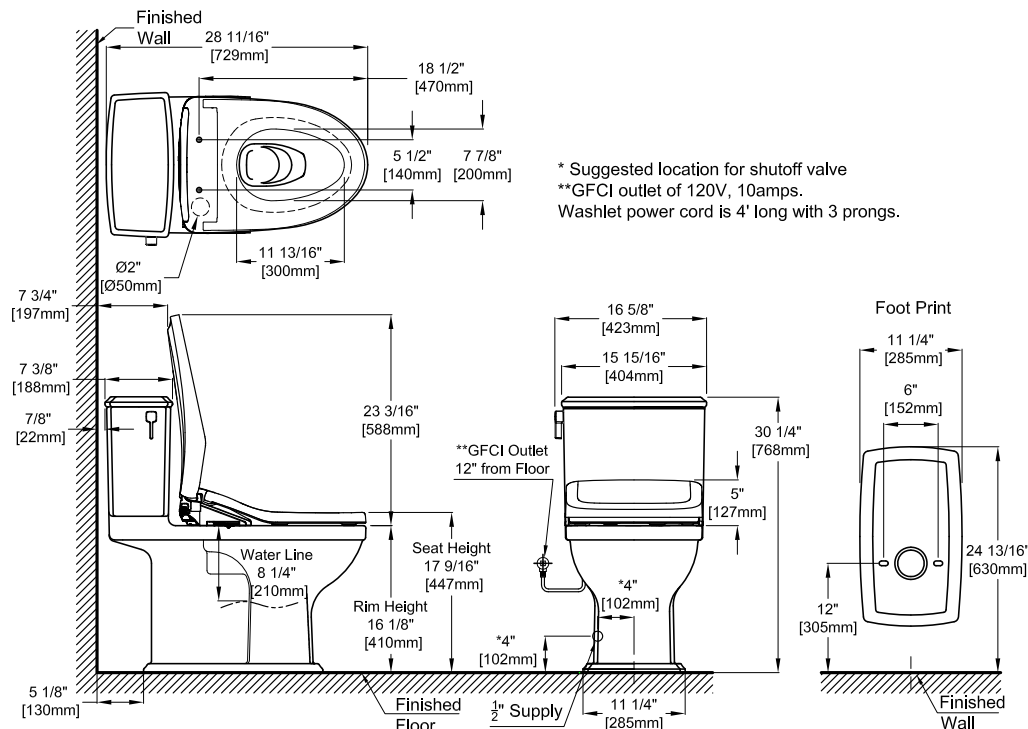
Back-to-Back Toilet Installations:

TOTO recommends the use of a nationally listed, double sanitary tee-wye only, in vertical waste stacks, in accordance with the stipulations noted in the majority of nationally recognized plumbing codes.



To maintain adequate wall gap between the back of the tank and wall, mount the floor flange at a nominal 12" rough-in distance.

DIMENSIONS



TOTO®

These dimensions and specifications are subject to change without notice

Ph: (888) 295-8134 | Fax: (800) 699-4889 | www.totousa.com | © TOTO USA

SS-01341 v.03