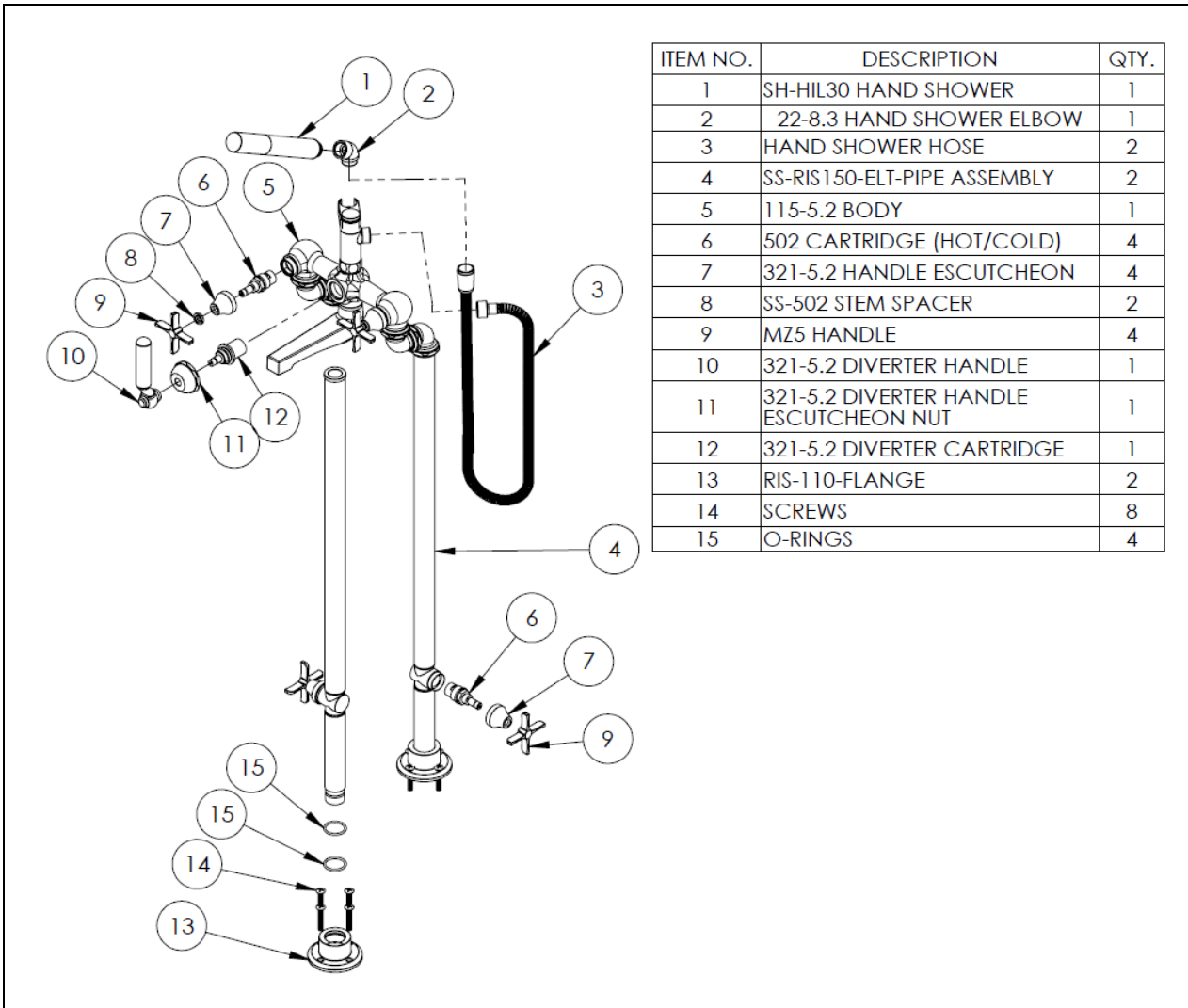


FEATURES

- ¼ turn washerless ceramic disc valve cartridges
- Flow rate 6.5 gpm (45 lpm) at 45 psi (tub)
- Flow rate 1.5 gpm (5.7 lpm) at 45 psi (hand shower)
- Solid brass construction
- Warranty:
 - Limited lifetime warranty (residential use)
 - One year (commercial use)
- Listed by IAPMO, CSA, NSF, and other municipalities
- Shipping weight (lbs.): 30
- Shipping dimensions (in.): 23x13x38

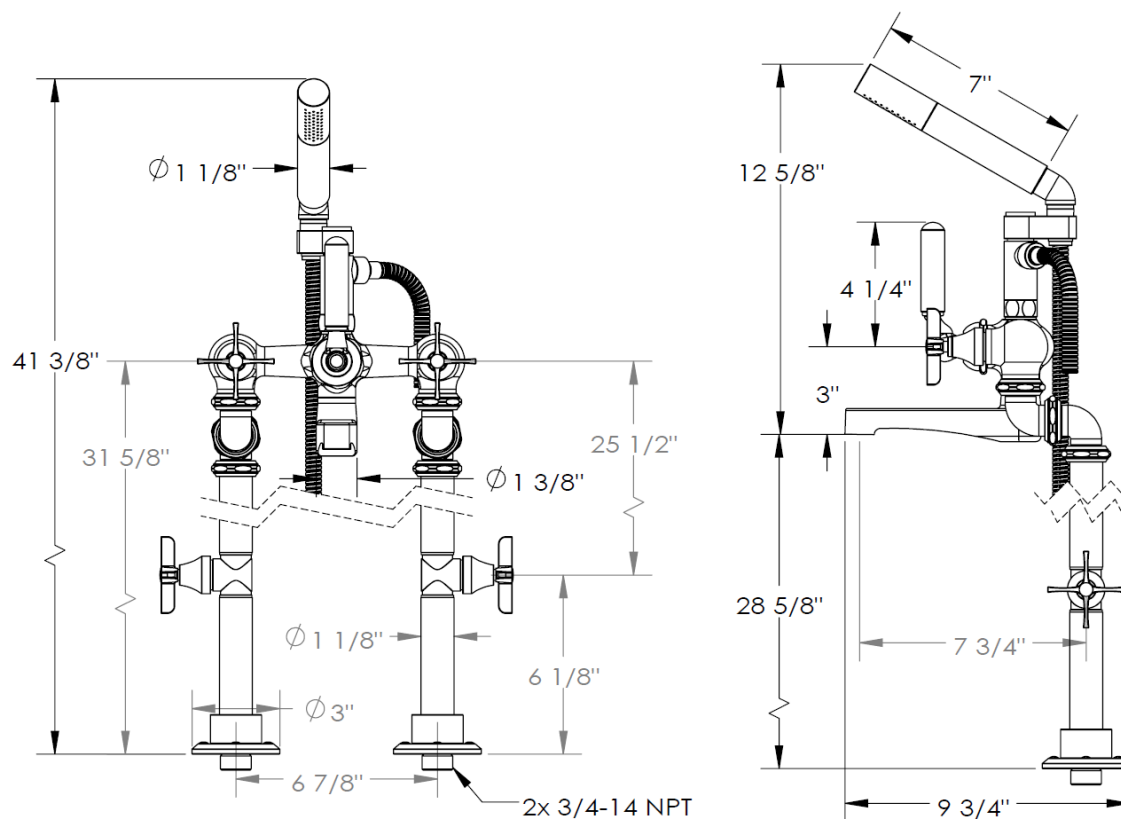
Note: Some building codes require remote pressure balance valves (not supplied) for anti-scald.



1. **Carefully remove all parts from the box.**
2. **Begin by first installing your coupling.**
 - a. You need to provide two $\frac{3}{4}$ " female NPT couplings.
 - b. Make sure that the coupling is flush to the finished floor.

Note: Coupling may be recessed a little from the finish floor but *never* to protrude higher than the surface of the finished floor. This will prevent the decorative flanges (13) from sitting flush on the finished floor.
3. **Screw decorative flange (13) onto risers (4).**
 - a. Ensure flange (13) is threaded all the way up onto tapered side of $\frac{3}{4}$ " riser.

Note: One end of riser is tapered and one side is straight threaded.
4. **Screw risers (4) securely into $\frac{3}{4}$ " female NPT coupling (not provided).**
5. **Thread flanges (13) down to finished floor and secure with finished screws provided.**
6. **Mount tub faucet (5) onto risers.**



IMPORTANT INSTALLATION INFORMATION

USE TEFLON TAPE OR PIPE SEALANT FOR THREADED CONNECTIONS

DO NOT USE PLUMBER'S PUTTY ON ANY OF THE BRASS COMPONENTS

This will cause the finish to tarnish and void the warranty. A non-corrosive Silicone is recommended.

DURING SWEATING OF LINES DO NOT OVERHEAT CASTING

Overheating may cause damage to internal mechanism

COPPER ADAPTORS MAY BE REQUIRED TO COMPLETE YOUR INSTALLATION