

**23-8.8-L9**

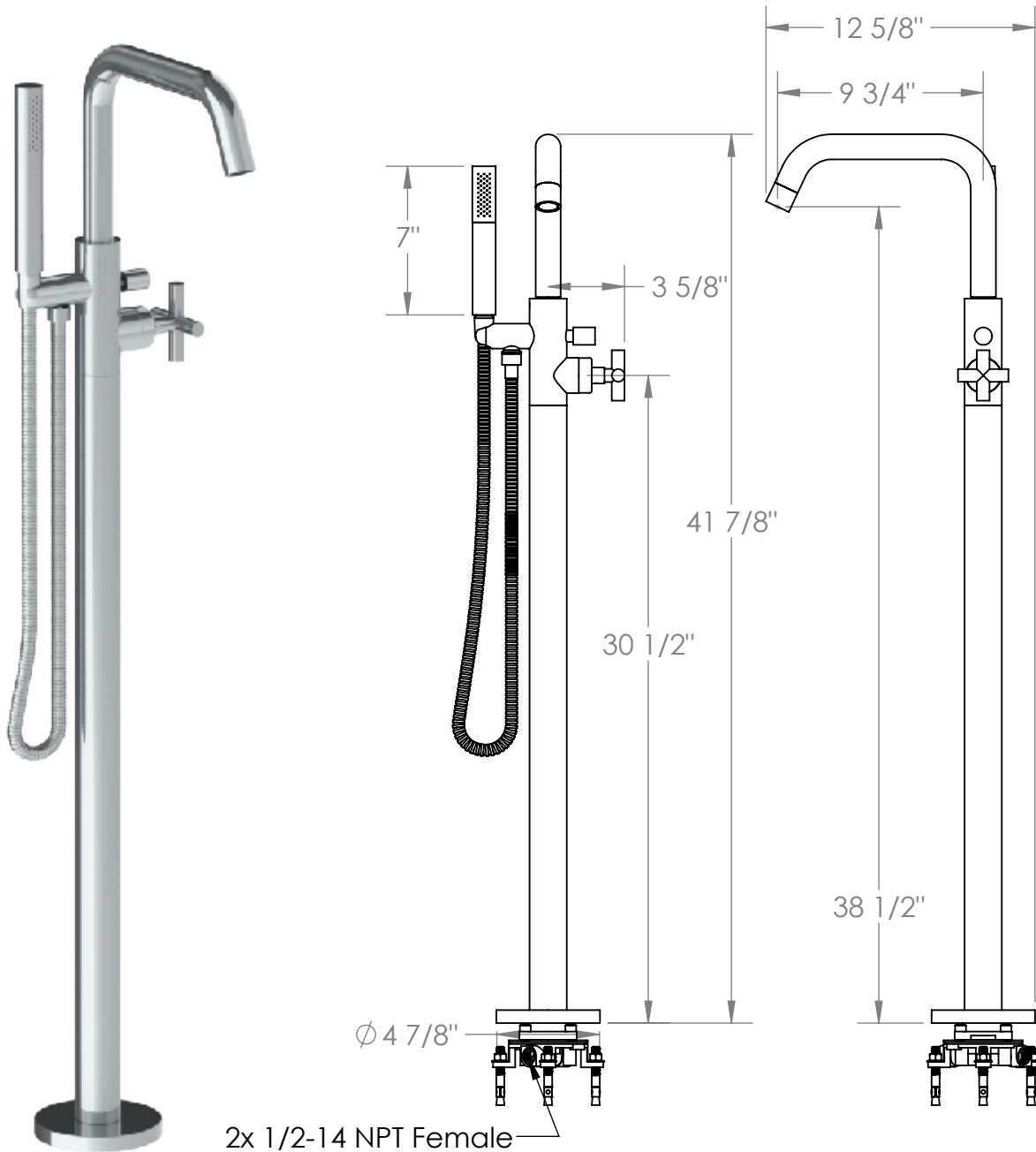
Single Hole Floor Standing Square Bath set with Hand Shower

Requires SS-248.8-FLR-RGH concealed rough

Hand Shower Flow Rate: 1.75 GPM

Tub Spout Flow Rate: 7GPM @45PSI

Note: Some building codes require remote pressure balance valves for antiscald



Meets the applicable requirements of ASME A112.18.1-2005/CSA B125.1-05, entitled "Plumbing Supply Fittings"