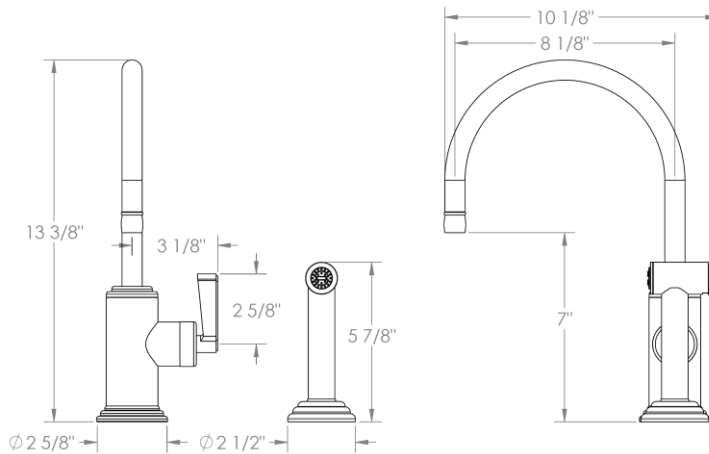


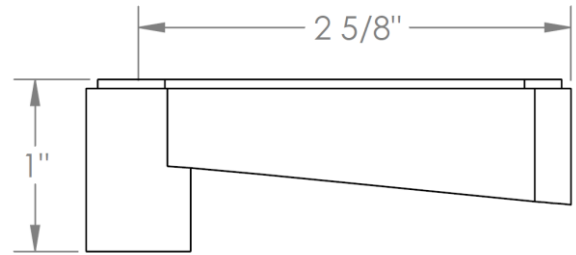
**29-7.4-
Deck Mounted 2 Hole Kitchen Set with Side Spray
Faucet Flow Rate: 1.75 GPM**



Meets the applicable requirements of ASME A112.18.1-2005/CSA B125.1-05, entitled "Plumbing Supply Fittings"

HANDLE TRIM OPTIONS

TR14 – BEEKMAN



TR15 - GOTHAM

