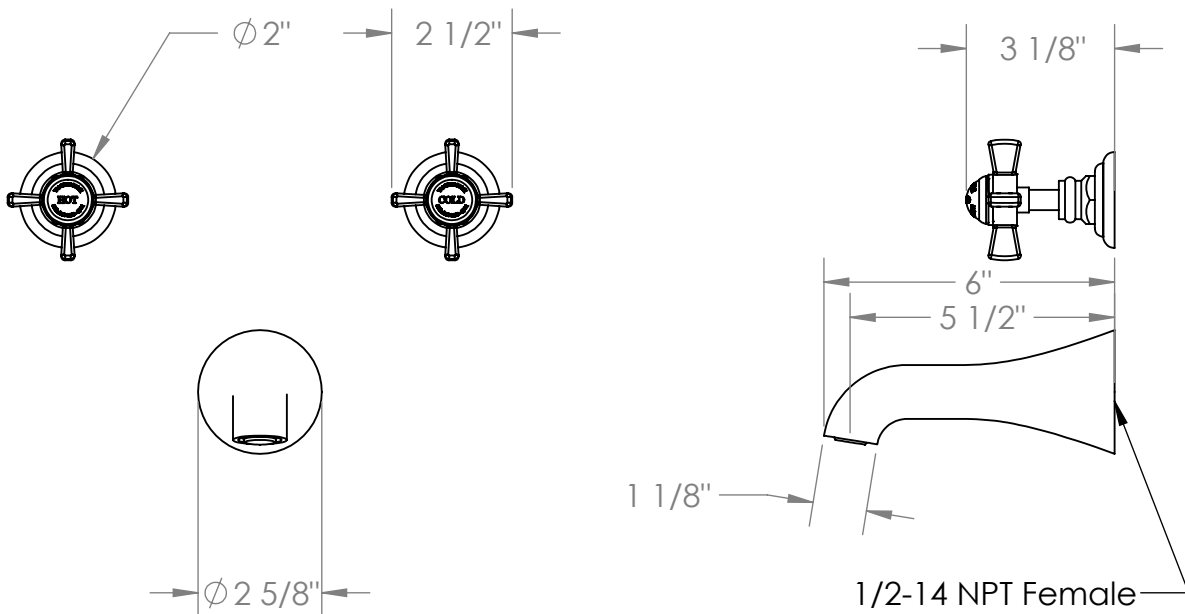


321-5-S1

Wall Mounted 3 Hole Bath Set



Meets the applicable requirements of ASME A112.18.1-2005/CSA B125.1-05, entitled "Plumbing Supply Fittings"