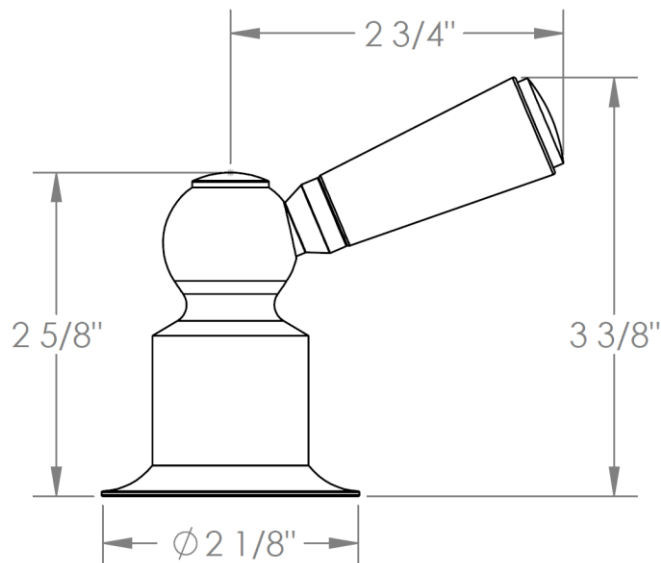


34-DT-H4

Trim For Deck Mounted Valve

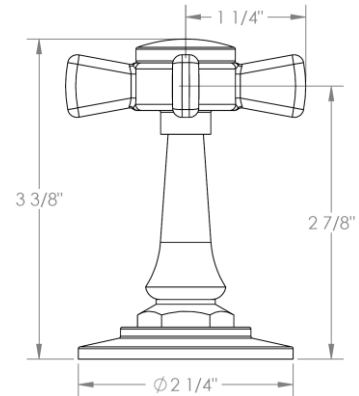
For use with SS-508-C, SS-508-H, or SS-DD4 concealed rough



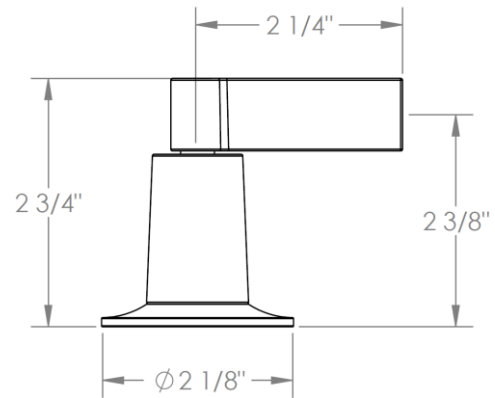
Meets the applicable requirements of ASME A112.18.1-2005/CSA B125.1-05, entitled "Plumbing Supply Fittings"

Haley Handle Trim Options

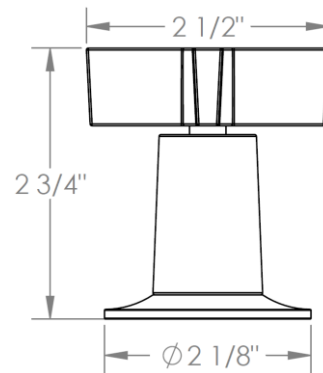
B9M – SISTINA



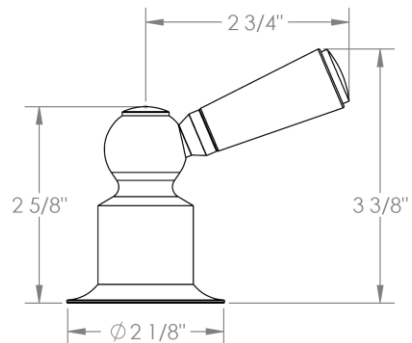
DD2 – ASTAIRE



DD3 – GARBO

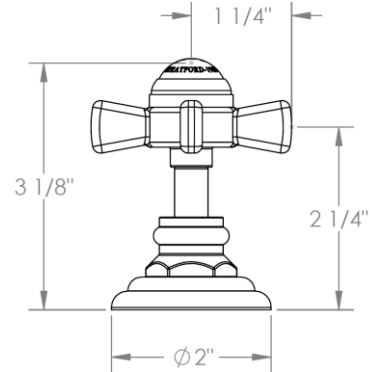


H4 – HARMONIE



Haley Handle Trim Options

S1 – PRESTON



S1A – NOTTINGHAM

