

### 35-8.8WF-ED1

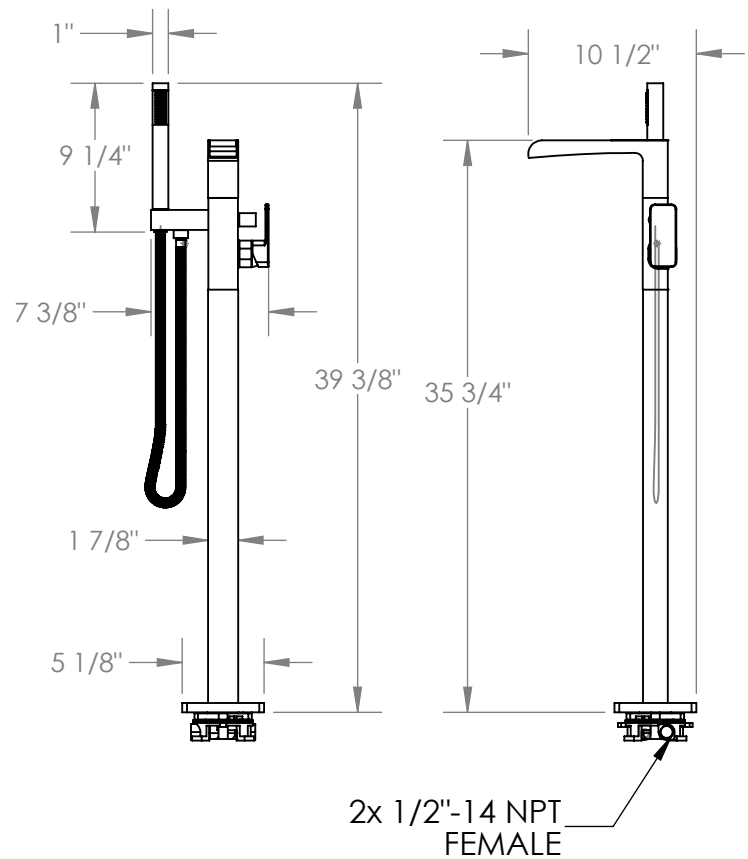
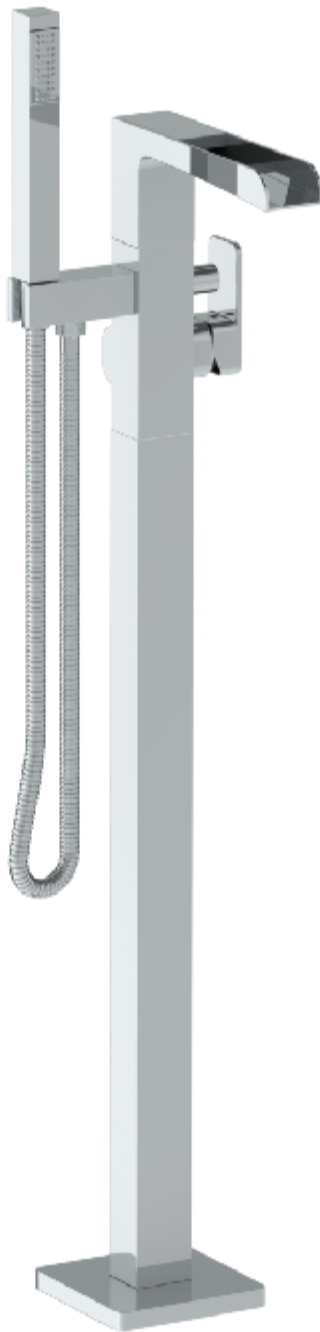
1/2" Floor Mounted Waterfall Elevated Tub Filler & Hand Held Shower

Hand Shower Flow Rate: 2 GPM @ 45 PSI

Tub Spout Flow Rate: 8 GPM @ 45 PSI

Includes In-Floor Rough SS\_248.8FLR-RGH

Note: Some building codes require remote pressure balance valves such as SS-PB50 for anti-scald



Meets the applicable requirements of ASME A112.18.1-2005/CSA B125.1-05, entitled "Plumbing Supply Fittings"