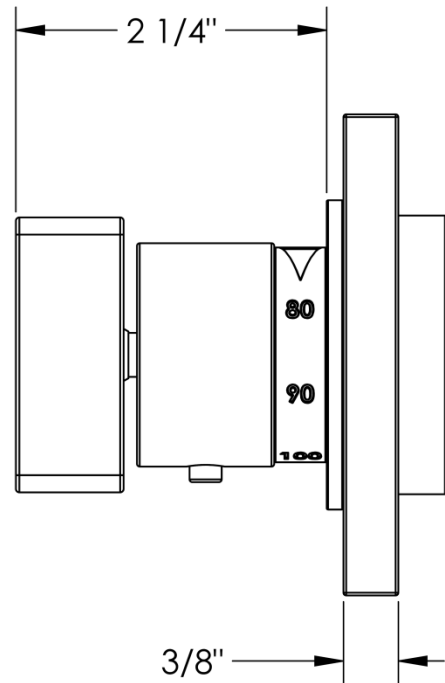
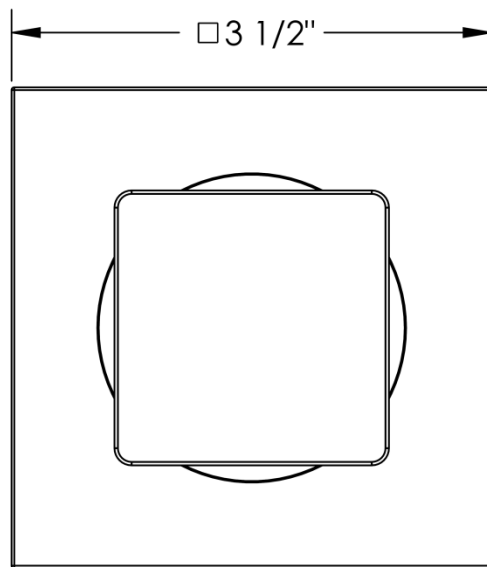
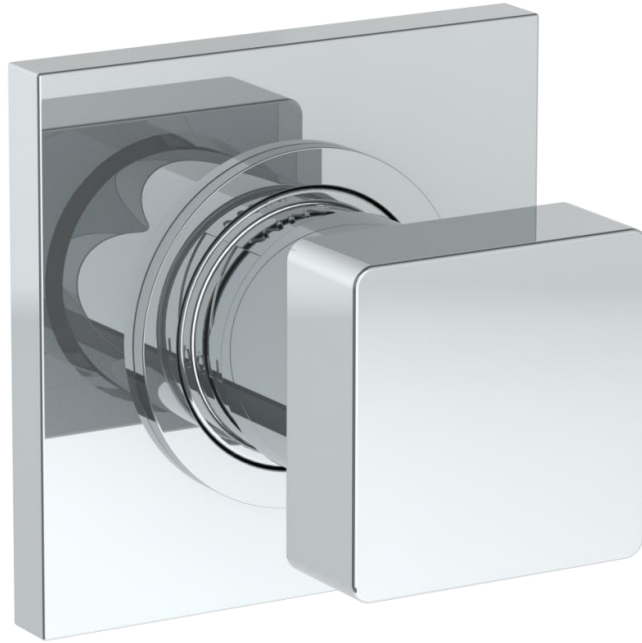


35-T15-ED4

Trim Kit for Mini Thermostatic Valve
For use with SS-TH500



Meets the applicable requirements of ASME A112.18.1-2005/CSA B125.1-05, entitled "Plumbing Supply Fittings"