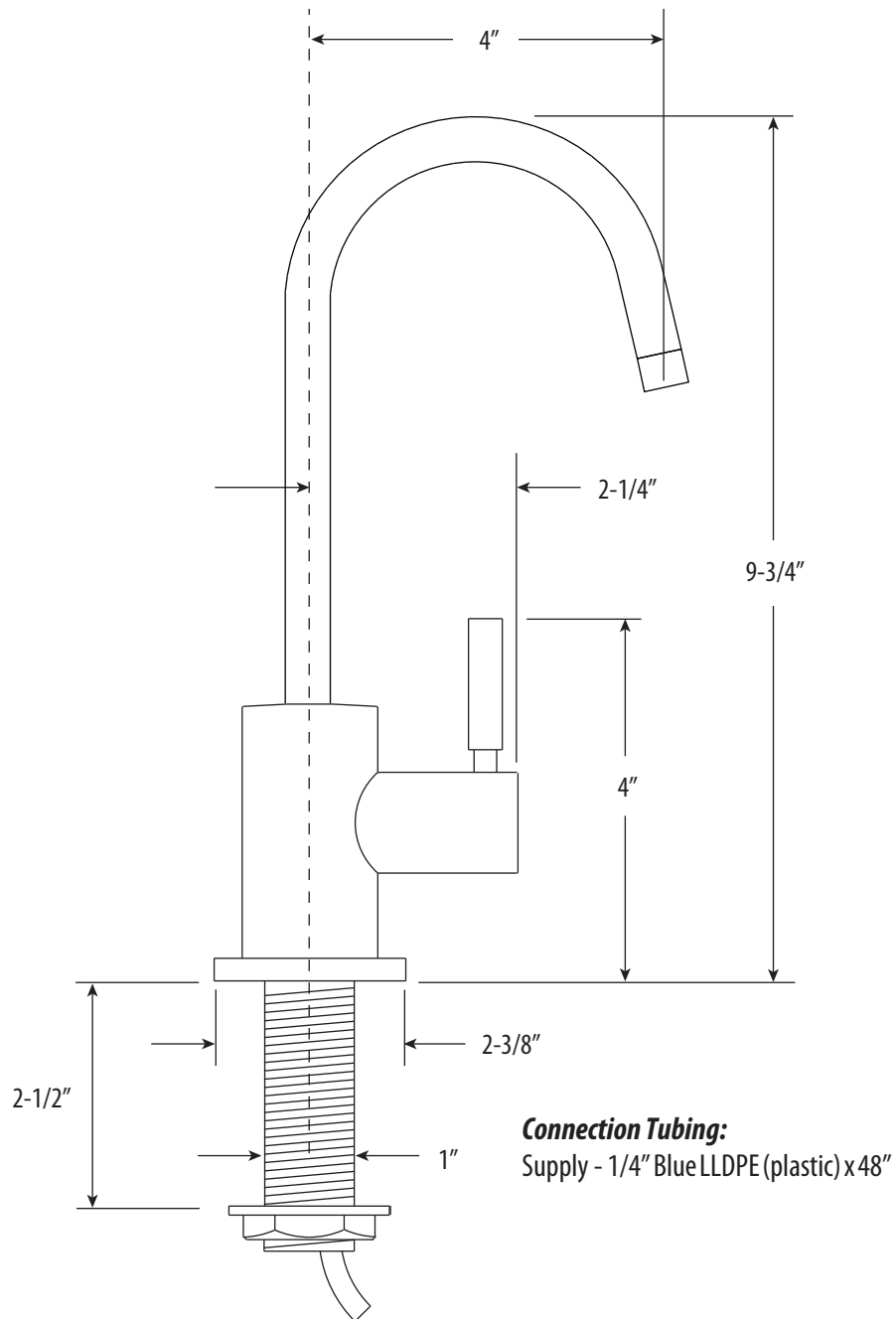


PARCHE COLD ONLY FILTRATION FAUCET

1400C

- Max Counter Thickness 2-1/2"
- Install Hole Size 1-3/8"



DIMENSIONS MAY VARY AND ARE SUBJECT TO CHANGE. NO RESPONSIBILITY IS ASSUMED FOR USE OF SUPERCEDED OR VOIDED DATA

PARCHE COLD ONLY FILTRATION FAUCET

1400C



Finish Shown - Stainless Steel

FEATURES

- Cold filtered water on demand.
- For use with Waterstone Filtration System.
- Part of the contemporary Parche Suite.
- C-spout has 4" reach and can swivel 360 degrees.
- 1.1 gpm maximum flow rate.
- Ergonomic single lever handle.
- Resistant to reverse osmosis water.
- Made from solid brass or 316 stainless steel.
- 1/4 turn ceramic disk valve cartridge.
- 1/4" compression connection.
- Lifetime functional warranty.
- Made in the USA.

CODES/STANDARDS APPLICABLE

Specified model meets or exceeds the following:

- **ASME A112.18.1**
- **CSA B125.1**
- **NSF 61, 372**
- **CALGreen**
- **ADA compliant**



AVAILABLE IN 32 FINISHES + SOLID 316 MARINE GRADE STAINLESS STEEL